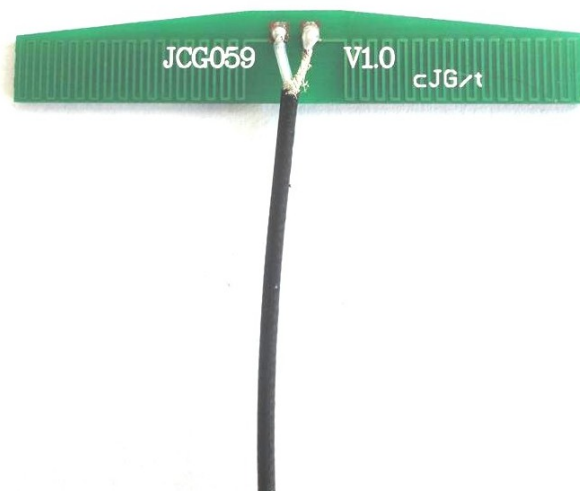


## GSM Antenna

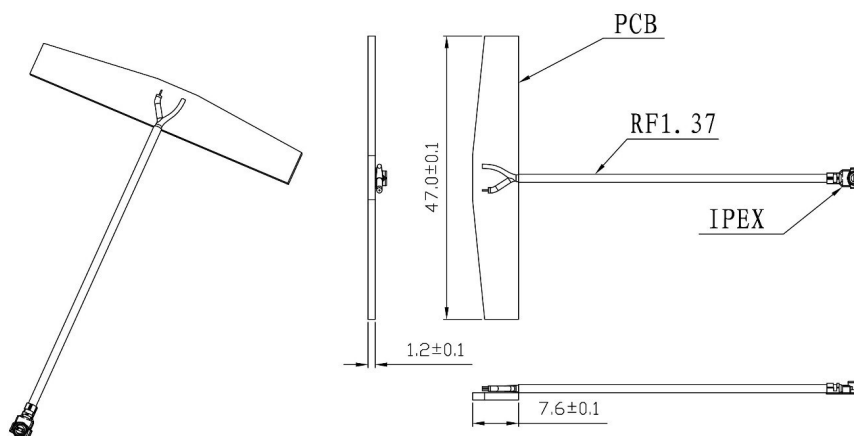
Model : GSM-ANT059



1 Part Number

**GSM-ANT059**

2 Dimension ( Unit : mm )



Unit: mm

### 3 Electrical Characteristics

#### 3.1 GSM Antenna

Item	Specifications	
Antenna	Frequency Range	824~960/1710~1990MHz
	Polarization	Linear
	Gain	2dBi
	V.S.W.R ( min )	< 3.0
	Impedance	50Ω
	PCB Dimension	47*7.6*1.2mm
Mechanical	Cable	RF1.13/RF1.37
	Connector	IPEX/MCF
	Mounting Method	Adhesive
Environmental	Operating Temperature	-40℃~+85℃
	Relative Humidity	Up to 95%
	Vibration	10 to 55Hz with 1.5mm amplitude 2hours
	Environmentally Friendly	ROHS Compliant

### 4 Radiation Pattern

