

Model Number: GSM-ANT-2

Product Name: GSM Angle Antenna

## **PRODUCT SPECIFICATION**

### **I. Main features**

No.	Item	Specifications
1	Frequency(MHz)	880~960/ 1710~1880
2	V.S.W.R	$\leq 2.0$
3	Gain(Zenith)	3dBi
4	Input Impedance	50 $\Omega$
5	Max Power	50W
6	Polarization	Vertical
7	Length (mm)	113
8	Connector	SMA or others
9	Working Temperature	-45 $^{\circ}$ C~75 $^{\circ}$ C
10	Working Humidity	5~95%

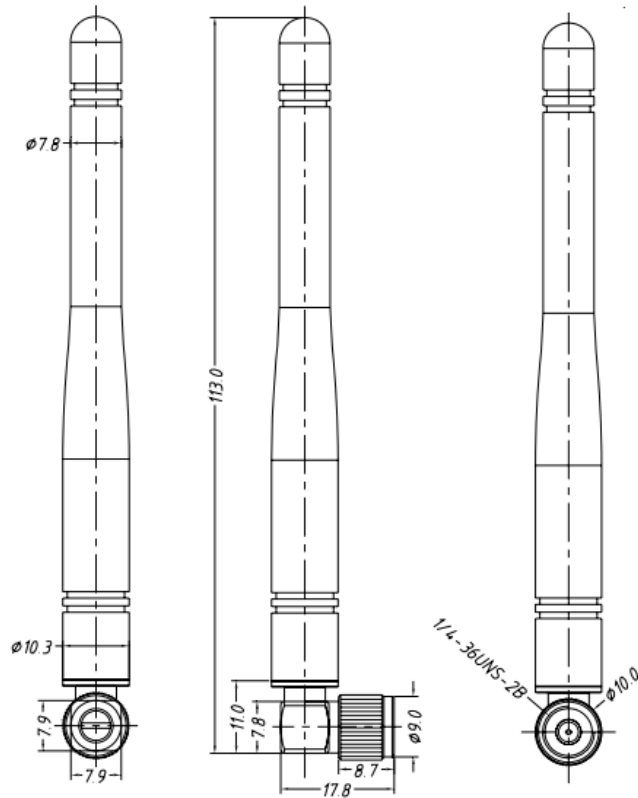
### **II. Appearance**



Model Number: GSM-ANT-2

Product Name: GSM Angle Antenna

### III. Engineering Drawing



### IV. V.S.W.R

