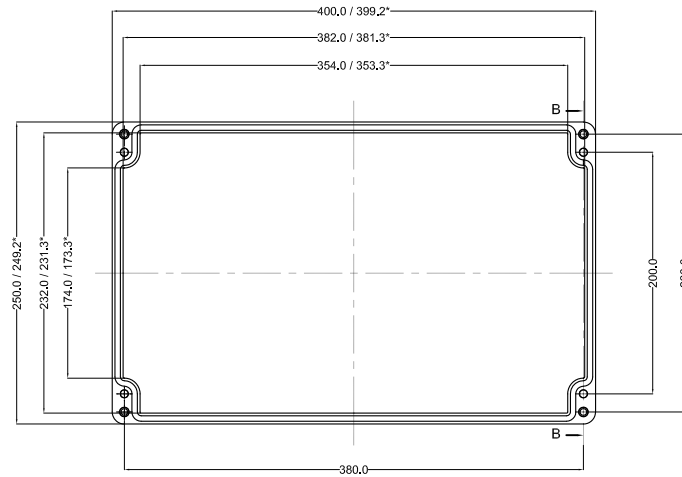
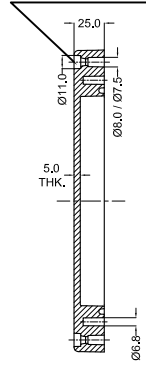


* = Conical form tapering downward.
 Untoleranced dimensions per DIN 16901-140

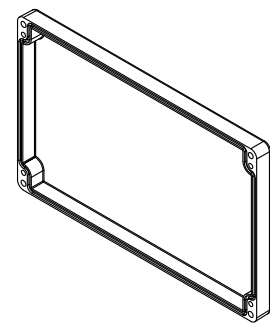
LID



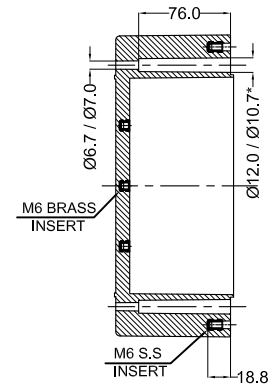
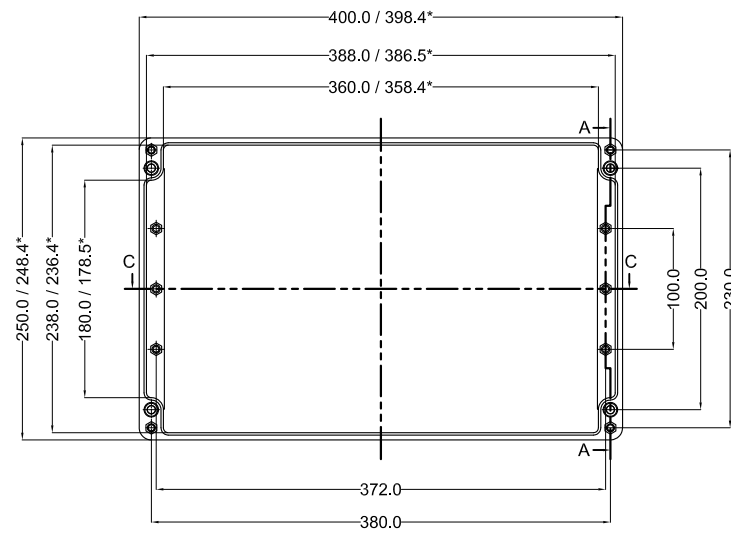
Cylinder Screw
 M6 x 35/10 similar to DIN 84



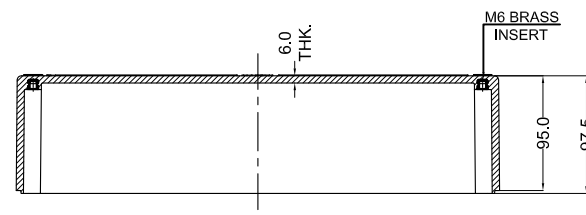
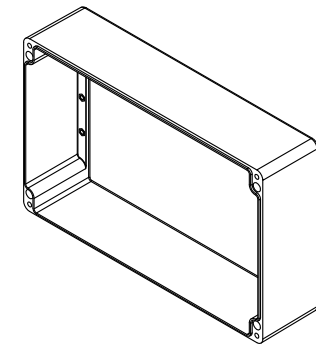
SECTION B-B



BASE



SECTION A-A



SECTION C-C

OPTIONAL ACCESSORIES		
PART NAME	QTY.	AVILABILITY
MOUNTING PLATE	1	Y
EXTERNAL HINGE	1	Y
INTERNAL HINGE	-	N
MOUNTING BRACKETS	4	Y
NEOPRENE/SILICON GASKET	1	Y
DIN RAIL TS15	-	N
DIN RAIL TS35	1	Y

NO.	REV.NO.	DESCRIPTION	DATE	DRAWN	CHECKED
-	-	-	-	-	-
QUANTITY	MATERIAL :-	MACH.NAME	DATE	SIGN	NAME
-	GRP	-	03/01/14		RRPL DESIGN
			03/01/14		MANOJ DRAWN
			03/01/14		PAVAN CHECKED
					M.S. APPROVED
TOLERANCE	WEIGHT: FINISH:	TITLE :-	SCALE	PARTNO.	DRG. NO.
±0.2 DIMENSIONS ±0.2 HOLES ±1.0° ANGLES	-	GRP JUNCTION BOX 400 x 250 x 120			
		Raychem RPG (P) Limited			
		Ceat Mahal Annexe, Dr. Annie Besant Road, Worli, Mumbai 400030 Web : www.raychemrpg.com			

2	GJB-400250120-B-02	GRP-30	BLACK RAL9011
1	GJB-400250120-B-01	GRP-23	GREY RAL7000
Sr.No.	Drawing no.	RM Grade	Finish

PROPERTY OF RaychemRPG (P) LTD.
 ALL RIGHTS RESERVED AND/OR PHOTOCOPYING THIS DOCUMENT
 TO A PERSON WITHOUT RaychemRPG (P)LTD. WRITTEN AUTHORIZATION IS PROHIBITED