



GN 841

Push-pull type toggle clamps

for push-on clamping



Specification

Type

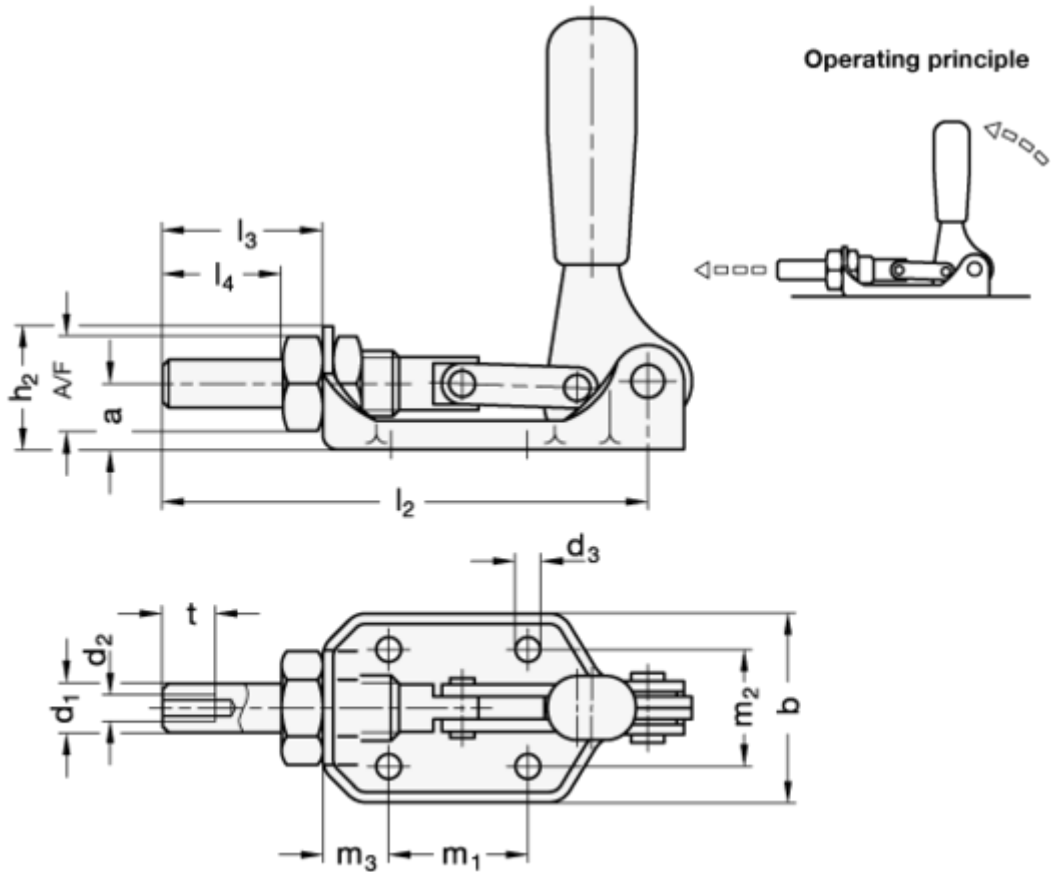
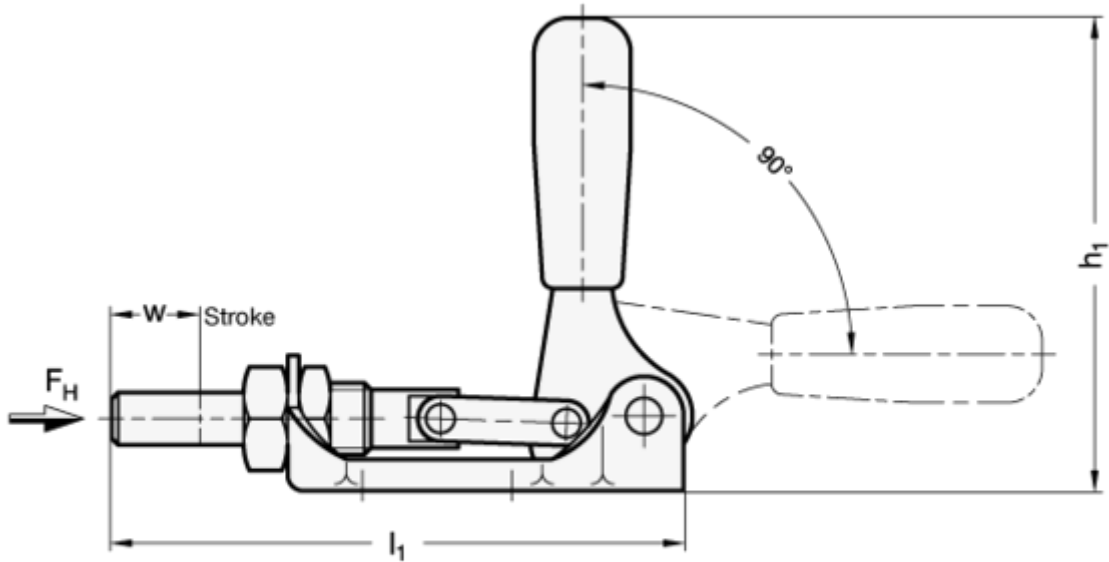
- Type **AS**: Sheet metal body
Parts in sheet metal
Case-hardened Steel C10
zinc plated, blue passivated finish
- Plunger Steel St 37
zinc plated, blue passivated finish
- Plunger guide bushing Brass
zinc plated, blue passivated finish
- all moving parts
lubricated with special grease
- Hand grip
High quality, oil resistant red plastic

Information

- [General information for toggle clamps](#)

Accessory

- Spindle assemblies
-



Description	Size	F_H in N	a	b	d_1	d_2	d_3	$h_1 \approx$	h_2	$l_1 \approx$	$l_2 \approx$	$l_3 \approx$	$l_4 \approx$	m_1	m_2	m_3	A/F	t	w	Weight
GN 841-120-AS	120	3600	17	48	12	M 6	5.5	111	31	130	121	40	30	34	30	17	24	12	20	338
GN 841-300-AS	300	7200	20	58	14	M 8	6.5	140	36	167	155	57	45	50	34	18	27	16	33	590