

2 Type

- A** forked clamping arm
- E** solid clamping arm

1

Size	F _H in N Holding force	a ≈	b ₁	b ₂	b ₃	d ₁	d ₂ ≈	h ₁ ≈	h ₂	h ₃	h ₄
75	900	20	29	34	5,2	M 5	4,5	98	20,5	11	21
130	1600	28	35	42	6,2	M 6	5,5	142	28	16	26,5
230	2200	40	43	45	8,5	M 8	6,5	168	33,5	18	31
330	2700	43	50	65	10,5	M 10	8,5	195	43	22	38
430	3000	64	58	65	12,5	M 12	8,5	247	55,5	26	45
530	4600	90	80	95	12,5	M 12	12,5	303	84,5	32	51

Size	l ₁ ≈		l ₂ ≈	l ₃ max.	m ₁	m ₂	m ₃	m ₄	r ≈	s ₁	s ₂
	Type A	Type E									
75	66,5	67	31,5	41	15	16	24	24	62,5	2	4
130	85	86	42	54	12,5	19	27	29	79,5	2,5	5
230	110,5	112	58	73	19	20	32	32	104	3	6
330	129	130,5	66	86	29	32	46	45	122	3,5	7
430	164	166	88	114	32	32	45	45	156	4	10
530	223	225	125	152	50	51	70	70	212	7	10

Specification

- Parts in sheet metal
Case hardening steel C10
zinc plated, blue passivated
- Bearing pins tempered
- Bearing rivets (from size 230 upwards)
case hardened
- all moving parts
lubricated with special grease
- solid moulded plastic handle sleeve
red, oil resistant
- **RoHS compliant**

Accessory

- Clamping bolts → Page 765
- Holders for clamping bolts GN 809
(for type E) → Page 770
- Holders for clamping bolts GN 801
(for type A) → Page 771

Information

Stepped side washers respectively clamping bolt retainers are included.

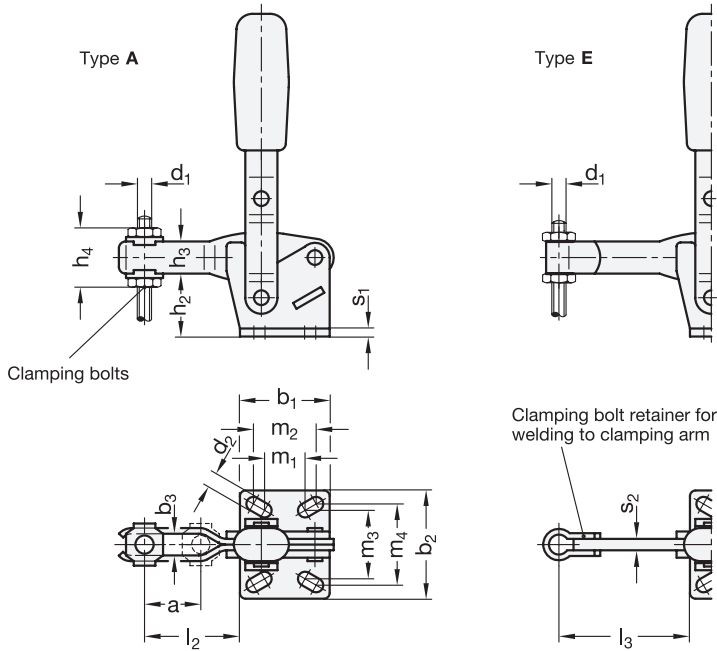
see also...

- *General information to toggle clamps* → Page 676
- *Stainless Steel-Vertical clamps GN 810* → Page 680
- *Vertical clamps GN 910 („Longlife“)* → Page 686

How to order

GN810-75-E

- | | |
|---|------|
| 1 | Size |
| 2 | Type |



2.1
2.2
2.3
2.4
2.5
2.6
2.7
2.8
2.9
—

