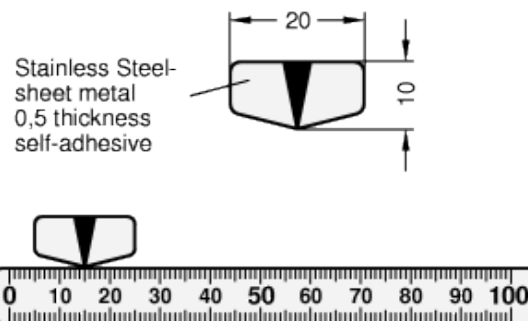


GN 711.1

Indicator arrows for rules



Indicator arrow GN 711.1



technical informations

Material

- Stainless steel NI, 0.6 thickness, scale etched.
- Plastic KUS, highlighted in silver, 0.3 thickness, scale printed.
- Plastic KUT, transparent, 0.3 thickness, scale printed.

Standard Elements	Weight
Description	g
GN 711.1-NI	1
GN 711.1-KUS	1
GN 711.1-KUT	1

