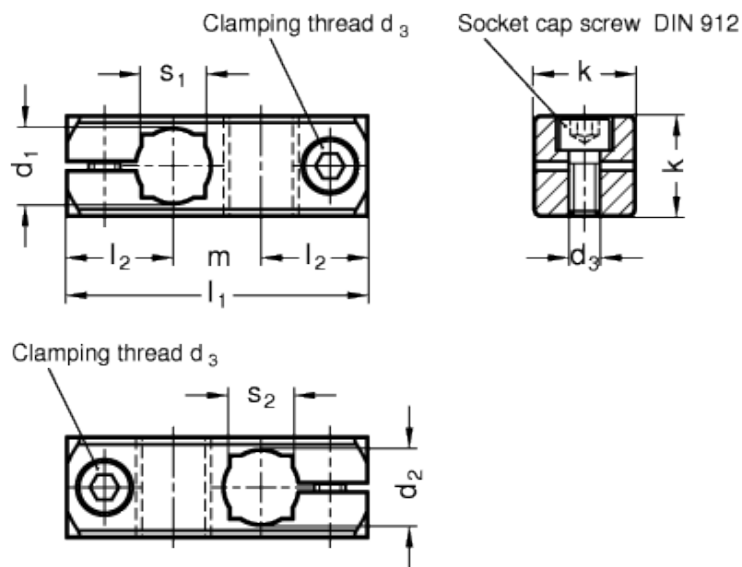
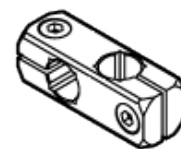
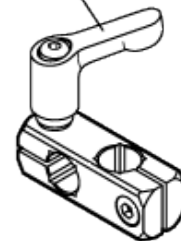


GN 474

Two-way clamp mountings



Adjustable
clamping lever GN 511



technical informations

Material
Aluminium.

Finish

- Version MT: matte, ground.
- Version ELS: anodised, black.

Clamping screws

AISI 304 stainless steel socket cap screws DIN 912.

Features and applications

The standard clamping bolts are socket cap screws DIN 912. They can be replaced by adjustable clamping kits GN 511 (description see table of dimensions).

Accessory

Clamping kits [GN 511](#) (clamping handles GN 300.1 with distance bushing).

Standard Elements	Main dimensions									Clamping kits	Weight
Description	d ₁ Bore B for shaft tol. h11	d ₂ Bore B for shaft tol. h11	k	d ₃ Clamping thread	l ₁	l ₂	m	S ₁ Square V	S ₂ Square V	for d ₃	g
GN 474-B8-B8-MT	B8	B8	14	M 4	37	13.5	10	-	-	GN 511-M4-14	16
GN 474-B10-B10-MT	B10	B10	16	M 5	46	17	12	8	8	GN 511-M5-16	25
GN 474-B12-B12-MT	B12	B12	16	M 5	48	17	14	10	10	GN 511-M5-16	23
GN 474-B15-B15-MT	B15	B15	20	M 6	58	20.5	17	12	12	GN 511-M6-20	44
GN 474-B16-B16-MT	B16	B16	20	M 6	59	20.5	18	-	-	GN 511-M6-20	43
GN 474-B20-B20-MT	B20	B20	25	M 6	65	21.5	22	16	16	GN 511-M6-25	67
GN 474-B8-B8-ELS	B8	B8	14	M 4	37	13.5	10	-	-	GN 511-M4-14	16
GN 474-B10-B10-ELS	B10	B10	16	M 5	46	17	12	8	8	GN 511-M5-16	25
GN 474-B12-B12-ELS	B12	B12	16	M 5	48	17	14	10	10	GN 511-M5-16	24
GN 474-B15-B15-ELS	B15	B15	20	M 6	58	20.5	17	12	12	GN 511-M6-20	44
GN 474-B16-B16-ELS	B16	B16	20	M 6	59	20.5	18	-	-	GN 511-M6-20	43
GN 474-B20-B20-ELS	B20	B20	25	M 6	65	21.5	22	16	16	GN 511-M6-25	67



STANDARD MACHINE ELEMENTS WORLDWIDE