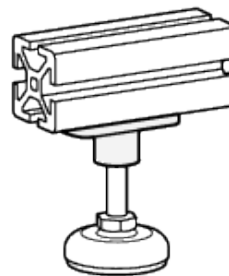
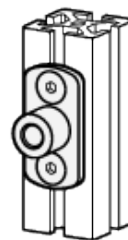
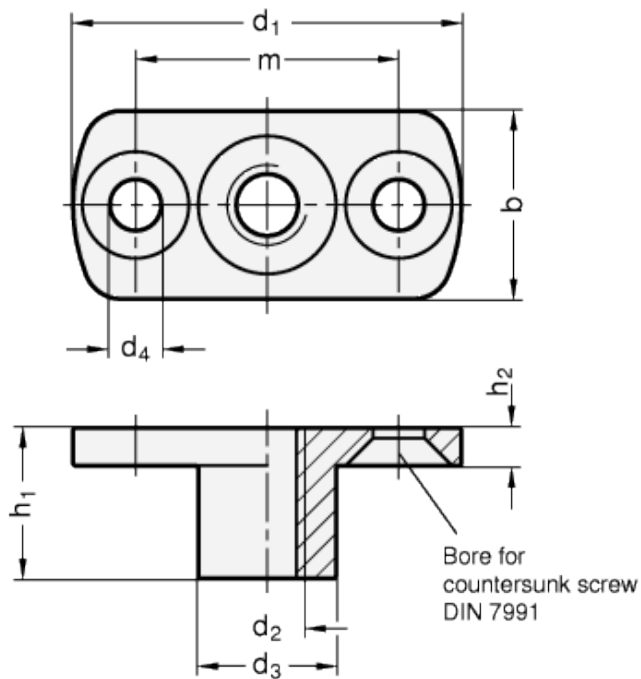


GN 3490

Threaded flanges



Technické informace

Specification

Steel fine casting
- zinc plated, blue passivated ZB
- zinc plated and plastic coated
black, RAL 9005, textured finish SW

Information

Threaded flanges for profile systems (GN 965 / GN 968) GN 3490 are used in connection with T-slot profile systems and allow elements to be assembled on or underneath the profiles, e.g. levelling feet.

Depending on the threaded flange, thread size and thread depth dimensions that are available can exceed the dimensions of the profile groove

Standardní provedení	Hlavní rozměry								Hmotnost
Označení	d ₁	d ₂	h ₁	b	d ₃	d ₄	h ₂	m	g
GN 3490-45-M6-16-ZB	45	M6	16	25	15	M6	6	30	-
GN 3490-45-M8-16-ZB	45	M8	16	25	15	M6	6	30	-
GN 3490-60-M10-24-ZB	60	M10	24	30	21.5	M8	6	40	-
GN 3490-60-M12-24-ZB	60	M12	24	30	21.5	M8	6	40	-
GN 3490-45-M6-16-SW	45	M6	16	25	15	M6	6	30	-
GN 3490-45-M8-16-SW	45	M8	16	25	15	M6	6	30	-
GN 3490-60-M10-24-SW	60	M10	24	30	21.5	M8	6	40	-
GN 3490-60-M12-24-SW	60	M12	24	30	21.5	M8	6	40	-



STANDARD MACHINE ELEMENTS WORLDWIDE