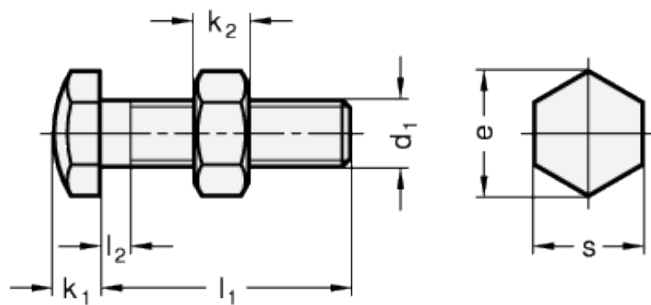


GN 251

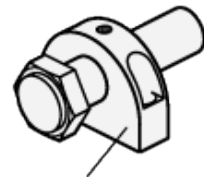
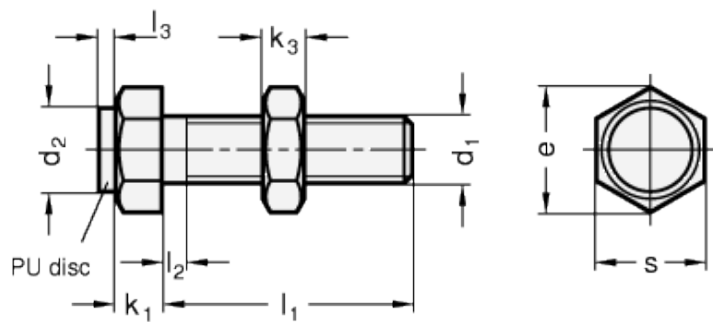
Setting bolts



Type AK



Type BK



Mounting block GN 412.1



technical informations

Material

- Black-oxide steel bolt with hardened hexagon head (type AK).
- Nickel plated steel bolt with Polyurethan disc (type BK).

Locking nut

Steel zinc plated. blue passivated.

Standard versions available

- Type AK: Locating surface with rounded end, hardened.
- Type BK: Locating surface with Polyurethan disc, 90 Shore.

Features and applications

Setting bolts GN 251 can be used as support or setting bolt as an end stop.
The version of the Polyurethan disc (type BK) functions as damping element or protection for sensitive surfaces.

Standard Elements	Main dimensions									Weight
Description	d ₁	l ₁	d ₂	e	k ₁	k ₂	l _{2 max.}	l ₃	s	g
GN 251-M3-10-AK	M3	10	-	6.4	2	2.4	1.5	-	5.5	10
GN 251-M3-15-AK	M3	15	-	6.4	2	2.4	1.5	-	5.5	13
GN 251-M3-20-AK	M3	20	-	6.4	2	2.4	1.5	-	5.5	16
GN 251-M3-25-AK	M3	25	-	6.4	2	2.4	1.5	-	5.5	18
GN 251-M3-30-AK	M3	30	-	6.4	2	2.4	1.5	-	5.5	19
GN 251-M4-10-AK	M4	10	-	8.1	2.8	3.2	2.1	-	7	23
GN 251-M4-15-AK	M4	15	-	8.1	2.8	3.2	2.1	-	7	26
GN 251-M4-20-AK	M4	20	-	8.1	2.8	3.2	2.1	-	7	30
GN 251-M4-25-AK	M4	25	-	8.1	2.8	3.2	2.1	-	7	34
GN 251-M4-30-AK	M4	30	-	8.1	2.8	3.2	2.1	-	7	37
GN 251-M4-35-AK	M4	35	-	8.1	2.8	3.2	2.1	-	7	41
GN 251-M4-40-AK	M4	40	-	8.1	2.8	3.2	2.1	-	7	44
GN 251-M5-10-AK	M5	10	-	9.2	3.5	4	2.4	-	8	35
GN 251-M5-15-AK	M5	15	-	9.2	3.5	4	2.4	-	8	40
GN 251-M5-20-AK	M5	20	-	9.2	3.5	4	2.4	-	8	48
GN 251-M5-25-AK	M5	25	-	9.2	3.5	4	2.4	-	8	53
GN 251-M5-30-AK	M5	30	-	9.2	3.5	4	2.4	-	8	60
GN 251-M5-35-AK	M5	35	-	9.2	3.5	4	2.4	-	8	65
GN 251-M5-40-AK	M5	40	-	9.2	3.5	4	2.4	-	8	70
GN 251-M5-50-AK	M5	50	-	9.2	3.5	4	2.4	-	8	85
GN 251-M6-15-AK	M6	15	-	11.5	4	5	3	-	10	70
GN 251-M6-20-AK	M6	20	-	11.5	4	5	3	-	10	78
GN 251-M6-25-AK	M6	25	-	11.5	4	5	3	-	10	86
GN 251-M6-30-AK	M6	30	-	11.5	4	5	3	-	10	90
GN 251-M6-35-AK	M6	35	-	11.5	4	5	3	-	10	105
GN 251-M6-40-AK	M6	40	-	11.5	4	5	3	-	10	120
GN 251-M6-50-AK	M6	50	-	11.5	4	5	3	-	10	140
GN 251-M8-15-AK	M8	15	-	15	5.5	6.5	3.7	-	13	145
GN 251-M8-20-AK	M8	20	-	15	5.5	6.5	3.7	-	13	160
GN 251-M8-25-AK	M8	25	-	15	5.5	6.5	3.7	-	13	175
GN 251-M8-30-AK	M8	30	-	15	5.5	6.5	3.7	-	13	190
GN 251-M8-35-AK	M8	35	-	15	5.5	6.5	3.7	-	13	205
GN 251-M8-40-AK	M8	40	-	15	5.5	6.5	3.7	-	13	230
GN 251-M8-50-AK	M8	50	-	15	5.5	6.5	3.7	-	13	270

GN 251-M8-60-AK	M8	60	-	15	5.5	6.5	3.7	-	13	285
GN 251-M8-70-AK	M8	70	-	15	5.5	6.5	3.7	-	13	315
GN 251-M8-80-AK	M8	80	-	15	5.5	6.5	3.7	-	13	345
GN 251-M10-30-AK	M10	30	-	19.6	7	8	4.5	-	17	145
GN 251-M10-35-AK	M10	35	-	19.6	7	8	4.5	-	17	145
GN 251-M10-40-AK	M10	40	-	19.6	7	8	4.5	-	17	170
GN 251-M10-50-AK	M10	50	-	19.6	7	8	4.5	-	17	200
GN 251-M10-60-AK	M10	60	-	19.6	7	8	4.5	-	17	205
GN 251-M10-70-AK	M10	70	-	19.6	7	8	4.5	-	17	210
GN 251-M10-80-AK	M10	80	-	19.6	7	8	4.5	-	17	250
GN 251-M12-30-AK	M12	30	-	21.9	8	10	5.2	-	19	528
GN 251-M12-35-AK	M12	35	-	21.9	8	10	5.2	-	19	560
GN 251-M12-40-AK	M12	40	-	21.9	8	10	5.2	-	19	600
GN 251-M12-50-AK	M12	50	-	21.9	8	10	5.2	-	19	670
GN 251-M12-60-AK	M12	60	-	21.9	8	10	5.2	-	19	700
GN 251-M12-70-AK	M12	70	-	21.9	8	10	5.2	-	19	780
GN 251-M12-80-AK	M12	80	-	21.9	8	10	5.2	-	19	800
GN 251-M16-50-AK	M16	50	-	27.7	10	13	6	-	24	150
GN 251-M16-60-AK	M16	60	-	27.7	10	13	6	-	24	155
GN 251-M16-70-AK	M16	70	-	27.7	10	13	6	-	24	160
GN 251-M16-80-AK	M16	80	-	27.7	10	13	6	-	24	175
GN 251-M4-15-BK	M4	15	5	8.1	2.8	2.4	2.1	1.5	7	2
GN 251-M4-20-BK	M4	20	5	8.1	2.8	2.4	2.1	1.5	7	3
GN 251-M4-25-BK	M4	25	5	8.1	2.8	2.4	2.1	1.5	7	3
GN 251-M4-30-BK	M4	30	5	8.1	2.8	2.4	2.1	1.5	7	3
GN 251-M4-35-BK	M4	35	5	8.1	2.8	2.4	2.1	1.5	7	4
GN 251-M4-40-BK	M4	40	5	8.1	2.8	2.4	2.1	1.5	7	4
GN 251-M5-15-BK	M5	15	6	9.2	3.5	3.2	2.4	1.5	8	4
GN 251-M5-20-BK	M5	20	6	9.2	3.5	3.2	2.4	1.5	8	4
GN 251-M5-25-BK	M5	25	6	9.2	3.5	3.2	2.4	1.5	8	5
GN 251-M5-30-BK	M5	30	6	9.2	3.5	3.2	2.4	1.5	8	6
GN 251-M5-35-BK	M5	35	6	9.2	3.5	3.2	2.4	1.5	8	6
GN 251-M5-40-BK	M5	40	6	9.2	3.5	3.2	2.4	1.5	8	8
GN 251-M6-20-BK	M6	20	8	11.5	4	3.6	3	2	10	8
GN 251-M6-25-BK	M6	25	8	11.5	4	3.6	3	2	10	8
GN 251-M6-30-BK	M6	30	8	11.5	4	3.6	3	2	10	9
GN 251-M6-35-BK	M6	35	8	11.5	4	3.6	3	2	10	9
GN 251-M6-40-BK	M6	40	8	11.5	4	3.6	3	2	10	10
GN 251-M6-45-BK	M6	45	8	11.5	4	3.6	3	2	10	11
GN 251-M6-50-BK	M6	50	8	11.5	4	3.6	3	2	10	12
GN 251-M8-20-BK	M8	20	10	15	5.5	5	3.7	2	13	15
GN 251-M8-25-BK	M8	25	10	15	5.5	5	3.7	2	13	16
GN 251-M8-30-BK	M8	30	10	15	5.5	5	3.7	2	13	18
GN 251-M8-35-BK	M8	35	10	15	5.5	5	3.7	2	13	20
GN 251-M8-40-BK	M8	40	10	15	5.5	5	3.7	2	13	21

GN 251-M8-45-BK	M8	45	10	15	5.5	5	3.7	2	13	23
GN 251-M8-50-BK	M8	50	10	15	5.5	5	3.7	2	13	24
GN 251-M10-20-BK	M10	20	13	19.6	7	6	4.5	2	17	29
GN 251-M10-25-BK	M10	25	13	19.6	7	6	4.5	2	17	31
GN 251-M10-30-BK	M10	30	13	19.6	7	6	4.5	2	17	34
GN 251-M10-35-BK	M10	35	13	19.6	7	6	4.5	2	17	36
GN 251-M10-40-BK	M10	40	13	19.6	7	6	4.5	2	17	39
GN 251-M10-45-BK	M10	45	13	19.6	7	6	4.5	2	17	41
GN 251-M10-50-BK	M10	50	13	19.6	7	6	4.5	2	17	43



STANDARD MACHINE ELEMENTS WORLDWIDE