




Product information GDSN 207 schwarz/black

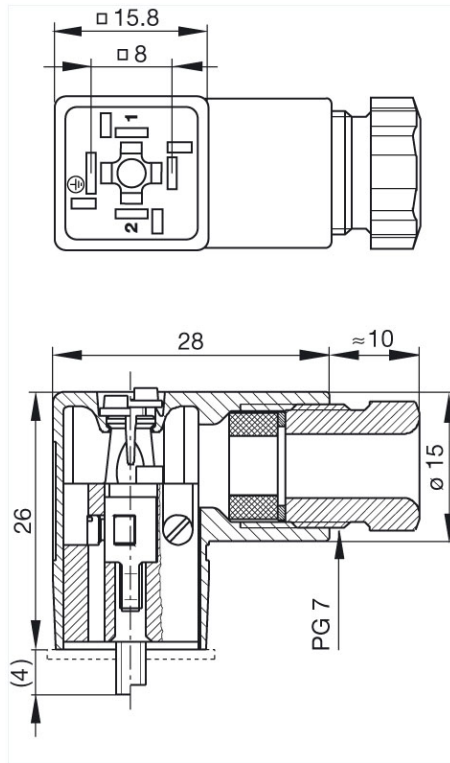
Industrial Connecting Solutions:Rectangular Connectors:Valve Connectors (Type A -B -C):Type C:Field Attachable Valve Connectors:Valve Connectors (DIN EN 175 301-803):GDSN 207 schwarz/black

<http://www.e-catalog.beldensolutions.com/link/57078-24228-256261-256266-256272-276221-24339-35434/en/conf/ui/state>

Name	GDSN 207 schwarz/black
	
	cable socket with central screw M 2.5 x 27
Delivery informations	
Availability	available
Product description	
Description	cable socket with central screw M 2.5 x 27
Type	GDSN 207 schwarz/black
Order No.	933 137-100
Other standard types	grey housing, Order No. 933 137-106
Number of contacts	2 + PE
Cable gland	PG 7
Conductor size	max. 0.75 mm ²
Standard	DIN EN 175 301-803-C
Housing Color	black
Construction type	C
Technical data	
Pin dimensions	2,8 mm x 0,5 mm, 3,6 mm x 0,5 mm
Rated voltage	AC/DC 250 V
Rated current	6 A
Contact resistance	<= 4 mOhm
Type of termination	screw
Suitable cables	4.5 mm to 6 mm
Mounting	central screw
Material	
Contact surface material	Sn
Contact bearer material	PA
Housing material	PA
Environmental conditions	
Protection class (IEC 60529)	IP 65
Pollution severity	3
Temperature range	-40 °C to +125 °C
Inflammability class	
Housing	94 HB
Contact bearer	94 V-2
Approvals	
UR	UR
VDE	VDE
SEV	SEV
CSA	CSA
Packing unit	
Packing unit	200 pieces
Scope of delivery and accessories	
Accessories to order separately	(NBR) flat gasket GDSN 307-4, Order No. 730 176-002; (EPDM) flat gasket GDSN 307-5, Order No. 730 310-004

Picture

Drawing



Belden Deutschland GmbH
 Im Gewerbepark 2
 58579 Schalksmühle
 Germany
 Phone: +49 7127/14-1806
 E-Mail: icos-sales@belden.com

The information published in the websites has been compiled as carefully as possible. It is subject to alteration without notice in technical as well as in price-related/commercial respect. The complete information and data were available on user documentation. Mandatory information can only be obtained by a concrete query.