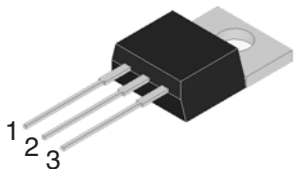
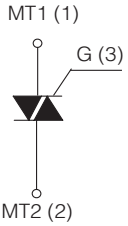




INSULATED HIGH COMMUTATION TRIAC

<p style="text-align: center; font-weight: bold; font-size: 1.2em;">INSULATED TO-220AB</p> <div style="text-align: center; margin: 20px 0;">  </div> <div style="text-align: center; margin: 20px 0;">  </div>	<table style="width: 100%; border-collapse: collapse;"> <tr> <td style="width: 50%; text-align: center;">On-State Current 25 Amp</td> <td style="width: 50%; text-align: center;">Gate Trigger Current ≤ 50 mA (16) ≤ 35 mA (14)</td> </tr> <tr> <td colspan="2" style="text-align: center;">Off-State Voltage 400 V ÷ 800 V</td> </tr> </table> <p>FEATURES</p> <ul style="list-style-type: none"> Provides voltage insulated tab (rated at 2500V RMS) Glass/passivated die junctions High current Triac Low thermal resistance High commutation High surge current capability Low forward voltage drop Solder dip 260°C, 10s Component in accordance to RoHS 2011/65/EU and WEEE 2002/96/EC Meets MSL level 3, per J-STD-020, LF maximum peak of 260° C Certified compliance of UL 1557 Standard for Electrically Isolated Semiconductors. Fille reference E320541, Vol. 3 <p style="text-align: right;">  RoHS COMPLIANT</p> <p>MECHANICAL DATA</p> <ul style="list-style-type: none"> Case: INSULATED TO-220AB. Epoxy meets UL 94V-0 flammability rating. Polarity: As marked on the body. Terminals: Matte tin plated leads, solderable per MIL-STD-750 Method 2026, J-STD-002 and JESD22-B102. Consumer grade, meets JESD 201 class 1A whisker test. <p>TYPICAL APPLICATIONS</p> <ul style="list-style-type: none"> Used on inductive loads, thanks to their high commutation performances. 	On-State Current 25 Amp	Gate Trigger Current ≤ 50 mA (16) ≤ 35 mA (14)	Off-State Voltage 400 V ÷ 800 V	
On-State Current 25 Amp	Gate Trigger Current ≤ 50 mA (16) ≤ 35 mA (14)				
Off-State Voltage 400 V ÷ 800 V					

Maximun Ratings and Electrical Characteristics at 25°C

SYMBOL	PARAMETER	CONDITIONS	Value	Unit
$I_{T(RMS)}$	RMS On-state Current (full sine wave)	All Conduction Angle, $T_c = 72\text{ °C}$	25	A
I_{TSM}	Non-repetitive On-State Current	Full Cycle, 60 Hz ($t = 16.7\text{ ms}$)	260	A
I_{TSM}	Non-repetitive On-State Current	Full Cycle, 50 Hz ($t = 20\text{ ms}$)	250	A
I^2t	Fusing Current	$t_p = 10\text{ ms}$, Half Cycle	340	A^2s
I_{GM}	Peak Gate Current	$20\text{ }\mu s$ max. $T_j = 125\text{ °C}$	4	A
$P_{G(AV)}$	Average Gate Power Dissipation	$T_j = 125\text{ °C}$	1	W
di/dt	Critical rate of rise of on-state current	$I_G = 2x I_{GT}$, $t_r \leq 100ns$ $f = 120\text{ Hz}$, $T_j = 125\text{ °C}$	50	$A/\mu s$
T_j	Operating Temperature		(-40 +125)	°C
T_{stg}	Storage Temperature		(-40 +125)	°C
T_{sld}	Soldering Temperature	10s max	260	°C
V_{iso}	R.M.S. isolation voltage 50/60 Hz sinusoidal waveform		2.500	Vac

SYMBOL	PARAMETER	VOLTAGE			Unit
		D	M	N	
V_{DRM}/V_{RRM}	Repetitive Peak Off State Voltage	400	600	800	V

INSULATED HIGH COMMUTATION TRIAC

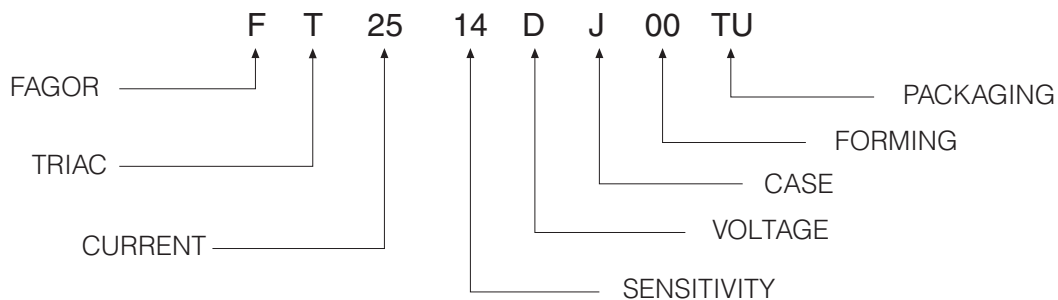
Electrical Characteristics at Tamb = 25 °C

SYMBOL	PARAMETER	CONDITIONS	Quadrant		SENSITIVITY		Unit
					14	16	
$I_{GT}^{(1)}$	Gate Trigger Current	$V_D = 12 V_{DC}, R_L = 33\Omega, T_j = 25\text{ °C}$	Q1÷Q3	MAX	35	50	mA
V_{GT}	Gate Trigger Voltage	$V_D = 12 V_{DC}, R_L = 33\Omega, T_j = 25\text{ °C}$	Q1÷Q3	MAX	1.3		V
V_{GD}	Gate Non Trigger Voltage	$V_D = V_{DRM}, R_L = 3.3\text{ K}\Omega, T_j = 125\text{ °C}$	Q1÷Q3	MIN	0.2		V
$I_H^{(2)}$	Holding Current	$I_T = 100\text{ mA}, \text{Gate open}, T_j = 25\text{ °C}$		MAX	50	75	mA
I_L	Latching Current	$I_G = 1.2 I_{GT}, T_j = 25\text{ °C}$	Q1,Q3	MAX	70	80	mA
			Q2	MAX	80	100	mA
$dV/dt^{(2)}$	Critical Rate of Voltage Rise	$V_D = 0.67 \times V_{DRM}, \text{Gate open}$ $T_j = 125\text{ °C}$		MIN	500	1000	V/ μ s
$(dI/dt)^c^{(2)}$	Critical Rate of Current Rise	$(dv/dt)^c = 0.1\text{ V}/\mu\text{s} \quad T_j = 125\text{ °C}$		MIN	-	-	A/ms
		$(dv/dt)^c = 10\text{ V}/\mu\text{s} \quad T_j = 125\text{ °C}$		MIN	-	-	
		without snubber $T_j = 125\text{ °C}$		MIN	13	22	
$V_{TM}^{(2)}$	On-state Voltage	$I_T = 35\text{ Amp}, t_p = 380\text{ }\mu\text{s}, T_j = 25\text{ °C}$		MAX	1.55		V
$V_{t(o)}^{(2)}$	Threshold Voltage	$T_j = 125\text{ °C}$		MAX	0.85		V
$r_d^{(2)}$	Dynamic resistance	$T_j = 125\text{ °C}$		MAX	16		m Ω
I_{DRM}/I_{RRM}	Off-State Leakage Current	$V_D = V_{DRM}, T_j = 125\text{ °C}$		MAX	3		mA
		$V_R = V_{RRM}, T_j = 25\text{ °C}$		MAX	5		μ A
$R_{th(j-c)}$	Thermal Resistance Junction-Case	for AC 360° conduction angle			1.7		°C/W
$R_{th(j-a)}$	Thermal Resistance Junction-Ambient				60		°C/W

(1) Minimum I_{GT} is guaranteed at 5% of I_{GT} max.

(2) For either polarity of electrode MT2 voltage with reference to electrode MT1.

Part Number Information



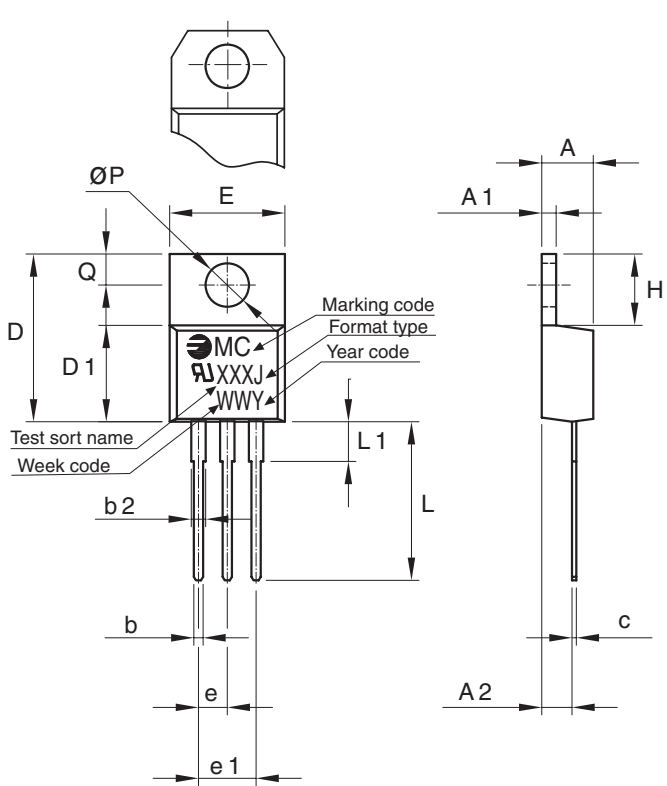
INSULATED HIGH COMMUTATION TRIAC

Ordering information

PREFERRED P/N	PACKAGE CODE	DELIVERY MODE	BASE QUANTITY	UNIT WEIGHT (g)
FT2514MJ 00TU	TU	TUBE	1000	2.30

Package Outline Dimensions: (mm) INSULATED TO-220AB

Optional with chamfer



REF.	DIMENSIONS	
	Milimeters	
	Min.	Max.
A	4.32	4.62
A1	1.21	1.29
A2	2.40	2.70
b	0.80	0.83
b2	1.40	--
c	0.42	0.48
D	15.5	15.68
D1	9.26	9.42
E	10.08	10.24
e	2.54	2.54
e1	5.08	5.08
H1	6.24	6.26
L	12.81	13.81
L1	3.28	4.17
P	3.70	3.80
Q	2.75	2.85

Mounting Torque

0.8 N.m

INSULATED HIGH COMMUTATION TRIAC

Ratings and Characteristics (Ta 25 °C unless otherwise noted)

Fig. 1: Maximum power dissipation versus RMS on-state current (full cycle)

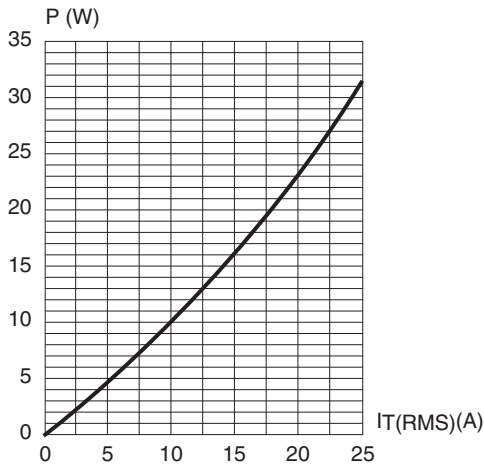


Fig. 2: RMS on-state current versus case temperature (full cycle).

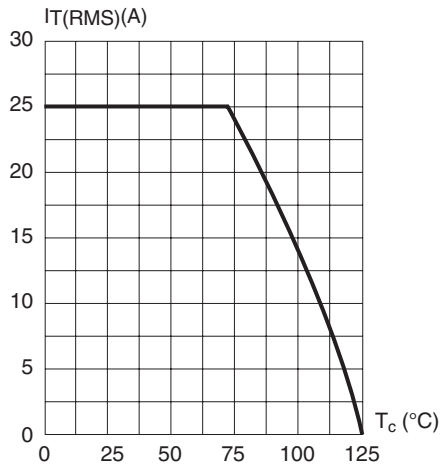


Fig. 3: Relative variation of thermal impedance versus pulse duration.

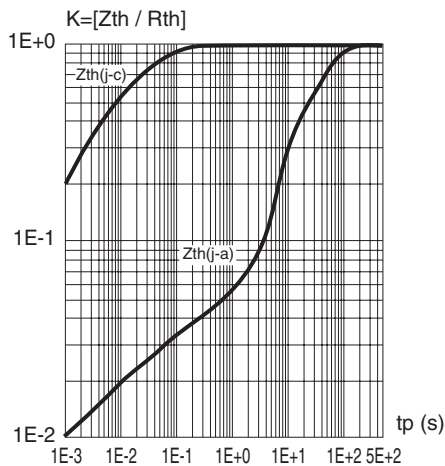


Fig. 4: On-state characteristics (maximum values)

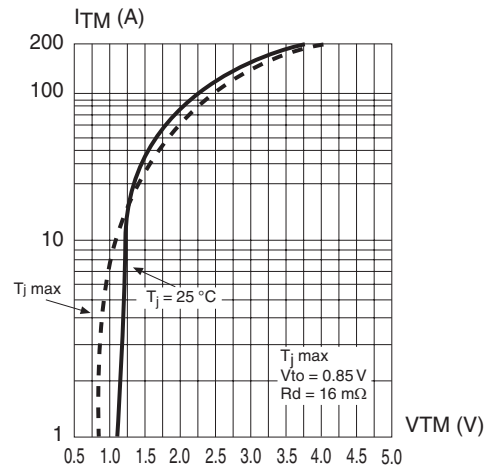


Fig. 5: Surge peak on-state current versus number of cycles

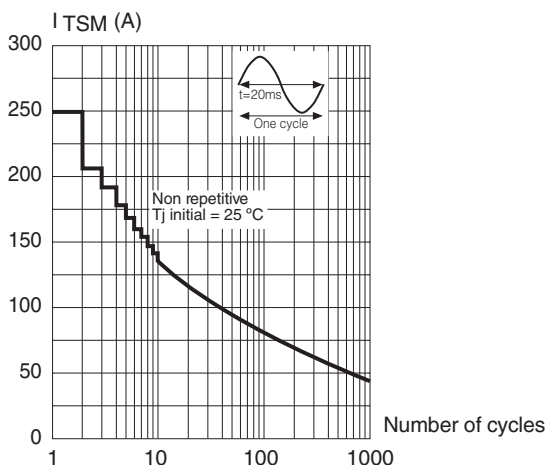
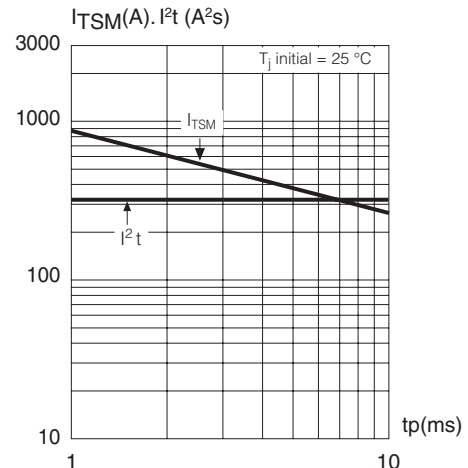


Fig. 6: Non repetitive surge peak on-state current for a sinusoidal pulse with width: tp < 10 ms, and corresponding value of I²t.



INSULATED HIGH COMMUTATION TRIAC

Ratings and Characteristics (Ta 25 °C unless otherwise noted)

Fig. 7: Relative variation of gate trigger current, holding current and latching versus junction temperature (typical values)

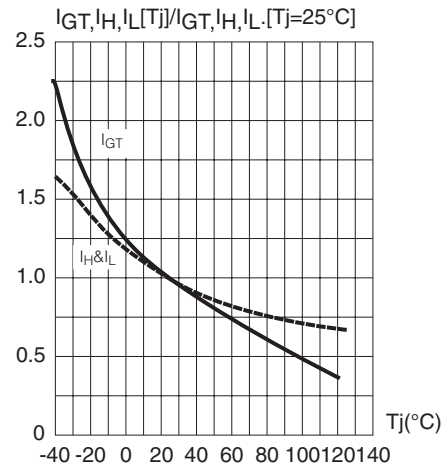
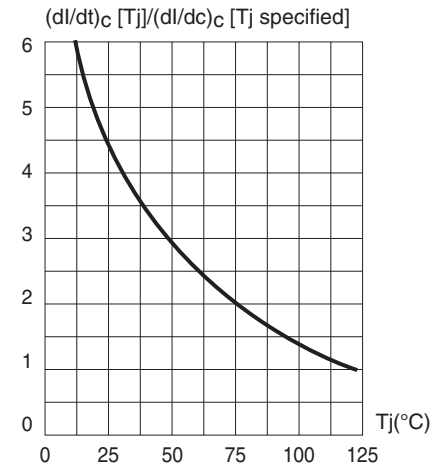


Fig. 8: Relative variation of critical rate of decrease of main current versus junction temperature



INSULATED HIGH COMMUTATION TRIAC**Revision History**

Date	Revision	Description of Changes
Nov-2012	0	Original Data Sheet
3-Apr-2017	1	200V eliminated

Disclaimer

All product, product specifications and data are subject to change without notice to improve reliability, function or design or otherwise.

Fagor Electrónica, S.Coop., its affiliates, agents, and employees, and all persons acting on its or their behalf (collectively, "Fagor"), disclaim any and all liability for any errors, inaccuracies or incompleteness contained in any datasheet or in any other disclosure relating to any product.

Fagor makes no warranty, representation or guarantee regarding the suitability of the products for any particular purpose or the continuing production of any product. To the maximum extent permitted by applicable law, Fagor disclaims (i) any and all liability arising out of the application or use of any product, (ii) any and all liability, including without limitation special, consequential or incidental damages, and (iii) any and all implied warranties, including warranties of fitness for particular purpose, non-infringement and merchantability.

Statements regarding the suitability of products for certain types of applications are based on Fagor's knowledge of typical requirements that are often placed on Fagor products in generic applications. Such statements are not binding statements about the suitability of products for a particular application. It is the customer's responsibility to validate that a particular product with the properties described in the product specification is suitable for use in a particular application. Parameters provided in datasheets and/or specifications may vary in different applications and performance may vary over time. All operating parameters, including typical parameters, must be validated for each customer application by the customer's technical experts. Product specifications do not expand or otherwise modify Fagor's terms and conditions of purchase, including but not limited to the warranty expressed therein.

Except as expressly indicated in writing, Fagor products are not designed for use in medical, life-saving, or life-sustaining applications or for any other application in which the failure of the Fagor product could result in personal injury or death. Customers using or selling Fagor products not expressly indicated for use in such applications do so at their own risk and agree to fully indemnify and hold Fagor and its distributors harmless from and against any and all claims, liabilities, expenses and damages arising or resulting in connection with such use or sale, including attorneys fees, even if such claim alleges that Fagor or its distributor was negligent regarding the design or manufacture of the part. Please contact authorized Fagor personnel to obtain written terms and conditions regarding products designed for such applications.

No license, express or implied, by estoppel or otherwise, to any intellectual property rights is granted by this document or by any conduct of Fagor, Product names and markings noted herein may be trademarks of their respective owners.