

## Design case „Frame“

- universal aluminium tube case with integrated guide slots for application of non-standardised components or circuit boards
- modern design in combination with a shock proof plastic cover and sealing for the use as desk case
- application possibilities for front foils or key pads
- EMC compatible version due to electrically conductive surfaces and sealings upon request
- special designs and treatments, modifications and versions due to customers specifications
- further colours and surface treatments upon request

**E** = available internal lengths + 14 mm

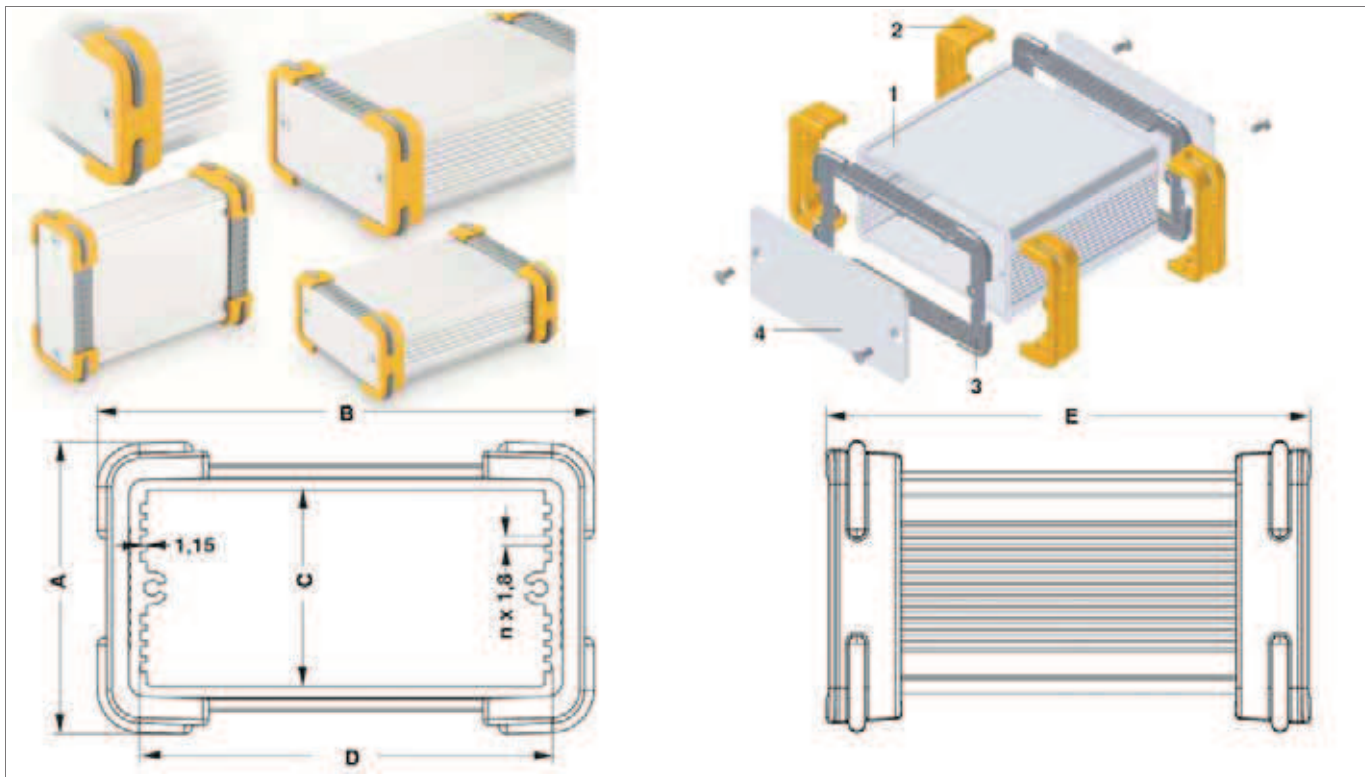
### contents of delivery:

**1** = 1 x basic profile

**2** = 4 x plastic frame (similar **RAL 1007**)

**3** = 2 x seal (similar **RAL 7005, no EMV**)

**4** = 2 x cover plate (2 mm); mounting material



art. no.	dim. [mm]				
	A	B	C	D	n
<b>FR 55 16 ...</b>	24.0	63.6	11	43.1	1
<b>FR 55 25 ...</b>	33.0	63.6	20	51.0	3
<b>FR 55 35 ...</b>	43.0	63.6	30	51.0	7
<b>FR 69 28 ...</b>	36.0	77.7	23	65.1	5
<b>FR 80 42 ...</b>	53.5	91.0	36	75.2	9
<b>FR 94 32 ...</b>	40.0	102.9	27	90.3	7
<b>FR 105 52 ...</b>	63.5	116.0	46	100.3	13
<b>FR 120 42 ...</b>	53.5	131.0	36	115.2	9

please indicate:

... lengths

50 80 100 120 160 200 220 mm

... surface

**SA** = complete case black anodised

**ME** = complete case clear anodised

**MS** = case profile SA, cover panels ME

**M 39**

Design case Chac  
Design case Rail  
Miniature aluminium case  
Tube cases

→ M 38  
→ M 41  
→ M 25 – 29  
→ M 21

Universal tube cases → M 20  
Tube cases with Eurocards → M 23  
Cooling case → M 31 – 34  
Cover panels due to customer's specif. → M 44