

DETAILS

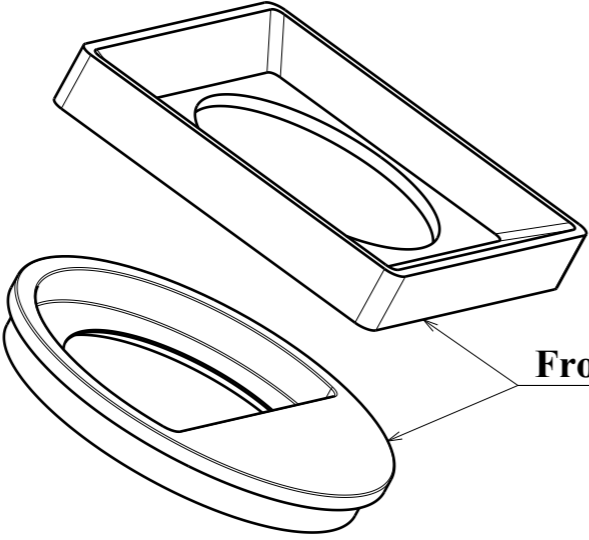
Product Number	FN15789_RONDA-REC-90
Family	Ronda
Type	Pack
Color	clear
Diameter	69,9 mm
Height	14,6 mm
Style	round
Optic Material	PMMA
Holder Material	
Fastening	
Status	production ready
ROHS Compliant	Yes
Date Updated	30/06/2017



OPTICAL PROPERTIES

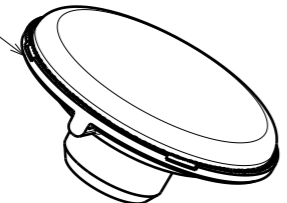
LED	Viewing	Light	Effi-		Connector
	Angle	Beam	ciency	cd/lm	
V13 Gen7	80 deg	REC-class	87 %	0.530	TE: 2213254-2 + OPTIC CLIP Z50 TYPE1 2213194-1
V13 Gen7	sim: 70+70	REC-class	sim: 85 %	sim: 0.710	IDEAL: 50-2103CT + 50-2100AN
V13 Gen7	sim: 86+75	REC-class	sim: 79 %	sim: 0.460	Bender Wirth: 477 Typ L1
VERO13	88 deg	REC-class	91 %	0.490	-
VERO18	81 deg	REC-class	89 %	0.530	-
CXA/B 1816 & CXA/B 1820 & CXA 1850 sim: 85		REC-class	sim: 90 %	sim: 0.000	TE: 2213401-2 + OPTIC CLIP Z50 TYPE1 2213194-1
CXA/B 1816 & CXA/B 1820 & CXA 1850 sim: 90		REC-class	sim: 90 %	sim: 0.000	-
CXA/B 1830	sim: 90	REC-class	sim: 90 %	sim: 0.000	-
CXA/B 15xx	87 deg	REC-class	91 %	0.500	Bender Wirth: 434 Typ L1
Fortimo SLM G5 LES 15 Standard	77 deg	REC-class	86 %	0.570	TE: OPTIC CLIP Z50 TYPE1 2213194-1
MJT COB LES 14.5	78 deg	REC-class	87 %	0.500	TE: 2213254-2 + OPTIC CLIP Z50 TYPE1 2213194-1
SLE G6 LES15	sim: 82+76	REC-class	sim: 86 %	sim: 0.540	TE: 2213254-2 + OPTIC CLIP Z50 TYPE1 2213194-1

H G F E D C B A



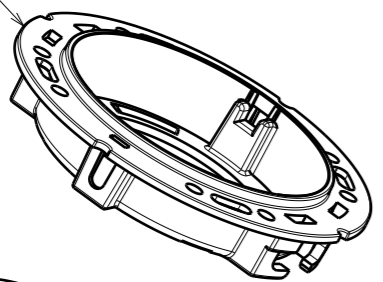
Front plate examples

D=49.9

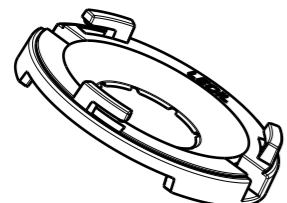


Optic

D=69.9mm



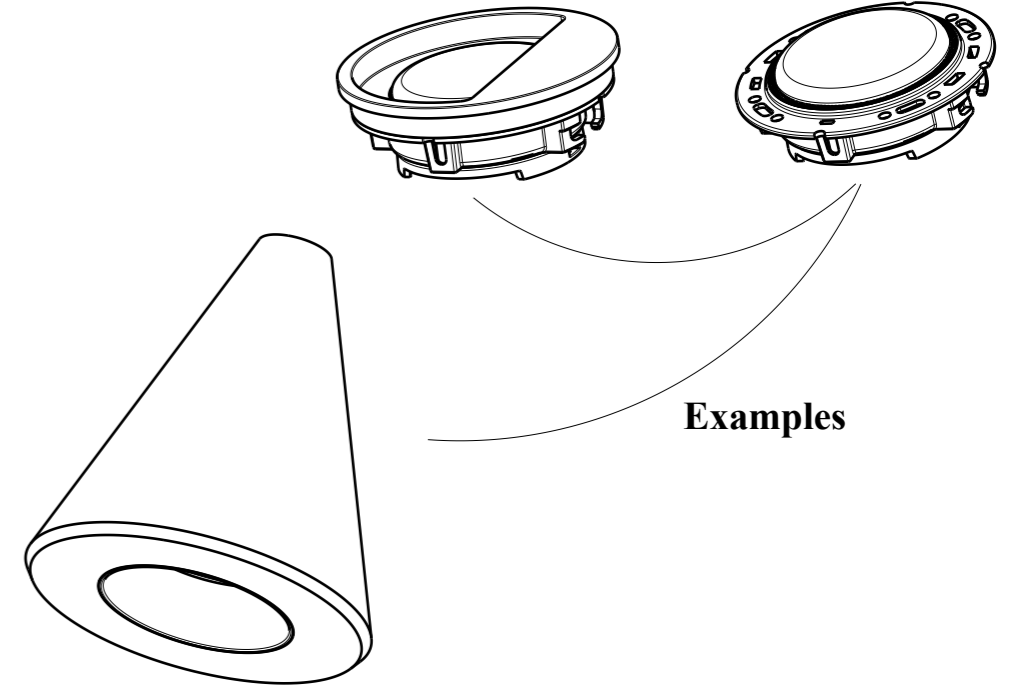
Ledil-clamp / TE / Bender-wirth / other twist and lock socket types (holder A)



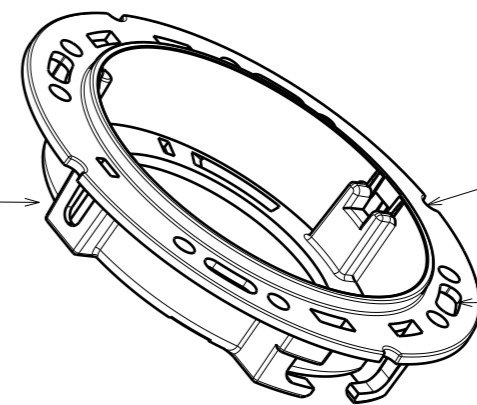
BJB and Stucchi 50mm (holder B)



LES size up to ~14mm, see compatibility www.ledil.com



Examples



Horizontal fix: M3 Nut + bolt

Rotation fix

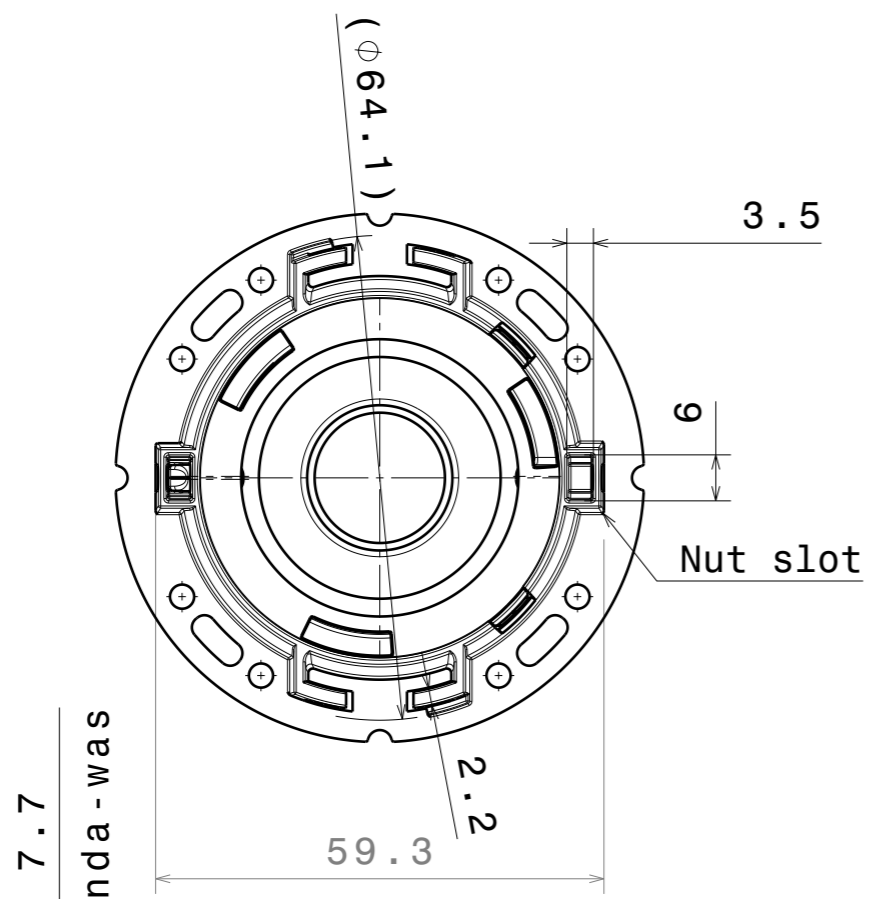
Vertical fix: M3 Screw / Twist and lock / Snap

See more details on page 2 and 3

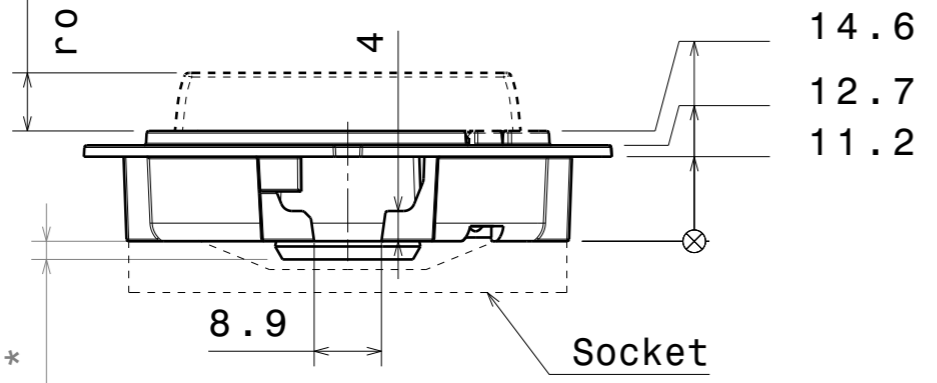
<p>Tolerances if not otherwise shown According to DIN ISO 2768-1 Linear measures: up to 30mm class M, otherwise class C According to DIN ISO 2768-2 Form and position: class L</p>		<p>LEDiL Ledil Oy Salorankatu 10 FIN 24240 SALO Finland</p>	
<p>THIRD ANGLE PROJECTION: </p>		<p>DRAWING TITLE RONDA-family</p>	
<p>This drawing is the property of LEDiL Oy. It may not be reproduced, copied or communicated without a written agreement with LEDiL Oy.</p>		<p>SIZE A3</p>	<p>PART NUMBER -</p>
		<p>SCALE 1:1</p>	<p>WEIGHT -</p>
		<p>SHEET 1/3</p>	

H G B A

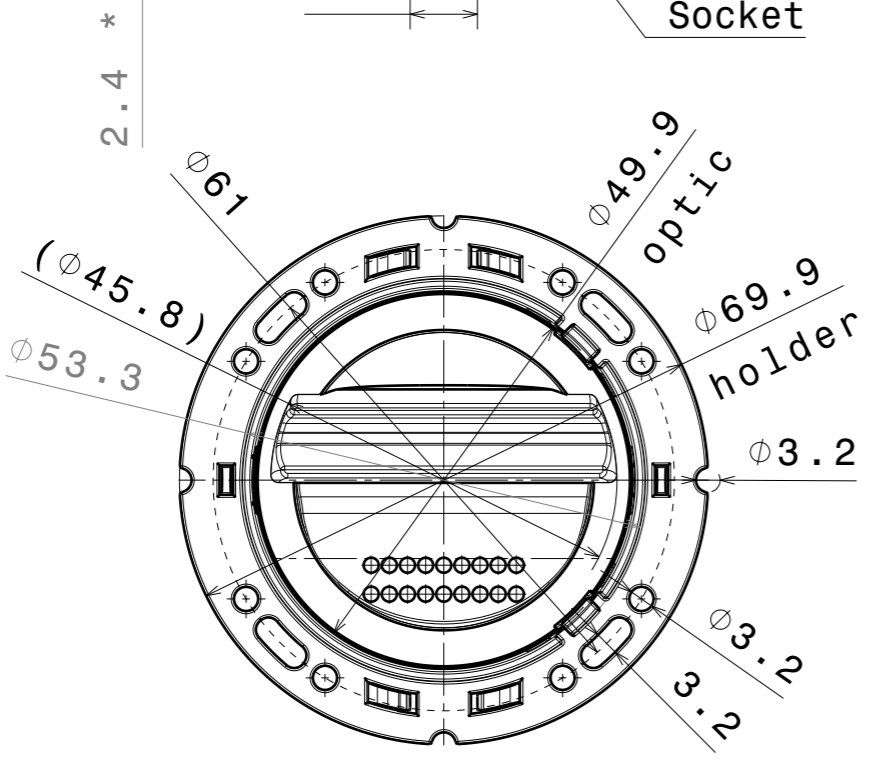
Bottom view



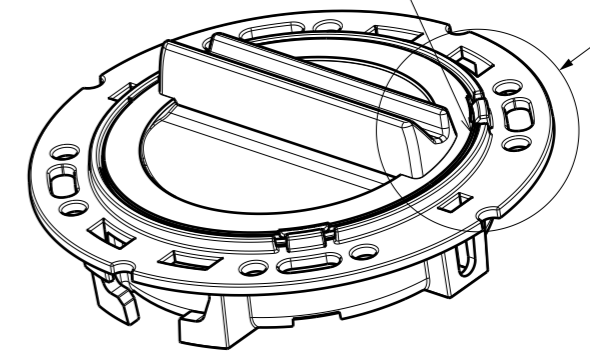
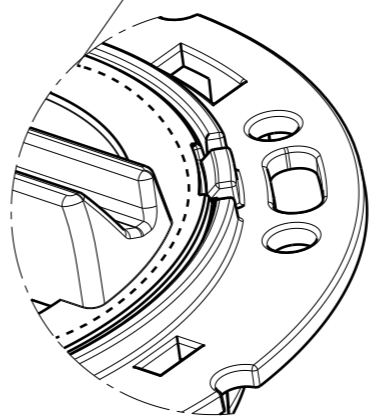
Front view



Top view



Front panel location suggestion when seamless look needed



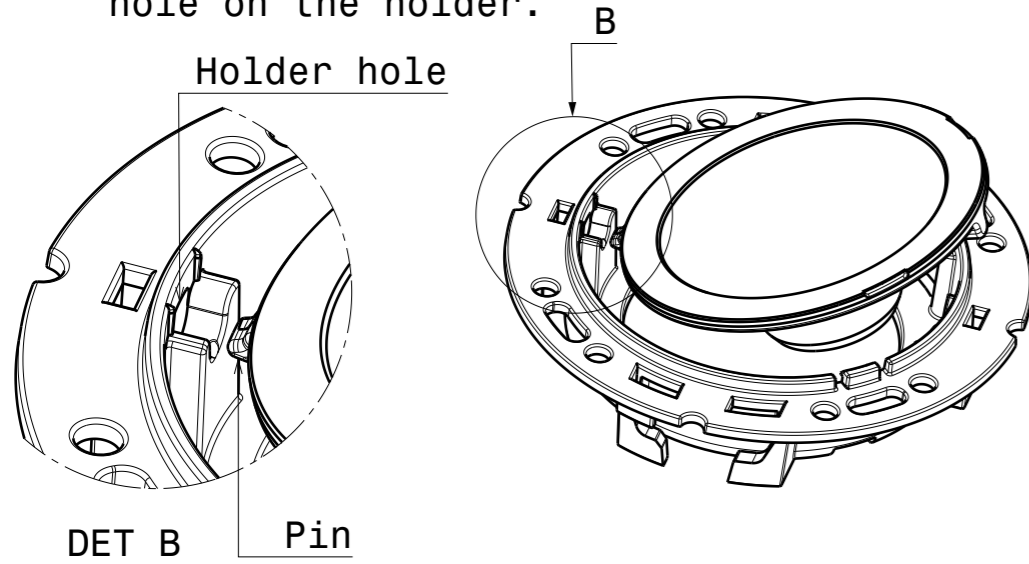
Isometric view

* Ensure from 3d according specific optic version

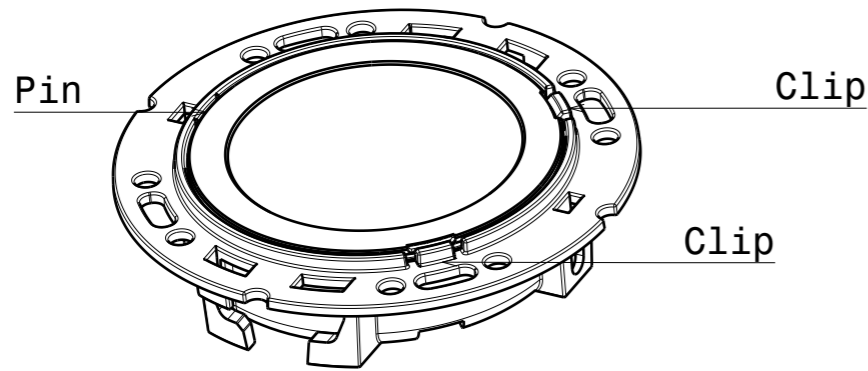
Tolerances if not otherwise shown According to DIN ISO 2768-1 Linear measures: up to 30mm class M, otherwise class C According to DIN ISO 2768-2 Form and position: class L		LEDiL Ledil Oy Salorankatu 10 FIN 24240 SALO Finland	
THIRD ANGLE PROJECTION:		DRAWING TITLE RONDA-family	
This drawing is the property of LEDiL Oy. It may not be reproduced, copied or communicated without a written agreement with LEDiL Oy.		SIZE A3	PART NUMBER -
		SCALE 1:1	WEIGHT -
		SHEET 2/3	

OPTIC/HOLDER ASSEMBLY

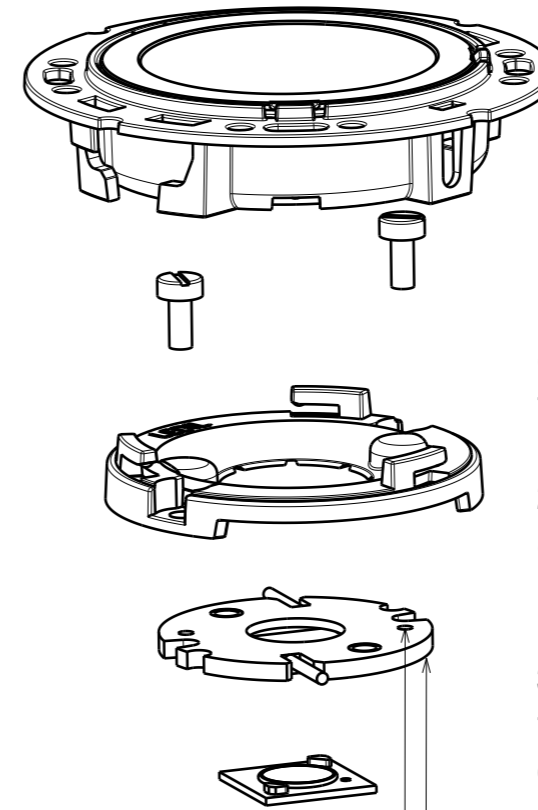
1. Place pin on the side of the lens into relative hole on the holder.



2. Press the lens under clips on the holder, ensuring both clips are fixed.



TYPICAL CONNECTOR ASSEMBLY (including solderless BENDER WIRTH as example)



1. Ensure correct relation of clamp and connector before screwing. Recommended torque 0.6Nm.

2. Assemble LED, BENDER&WIRTH connector and C13658_CLAMP-VER013-18 clamp on heatsink with M3 screw.

3. Attach optic by aligning the holes in the holder with hooks and turning the optic holder clockwise until it locks.

Bender&Wirth model 4xx Typ L1

Align clamp positioning pin with holes in the connector.

Tolerances if not otherwise shown
According to DIN ISO 2768-1
Linear measures:
up to 30mm class M, otherwise class C
According to DIN ISO 2768-2
Form and position: class L

LEDiL LediL Oy
Salorankatu 10
FIN 24240 SALO
Finland

THIRD ANGLE PROJECTION:

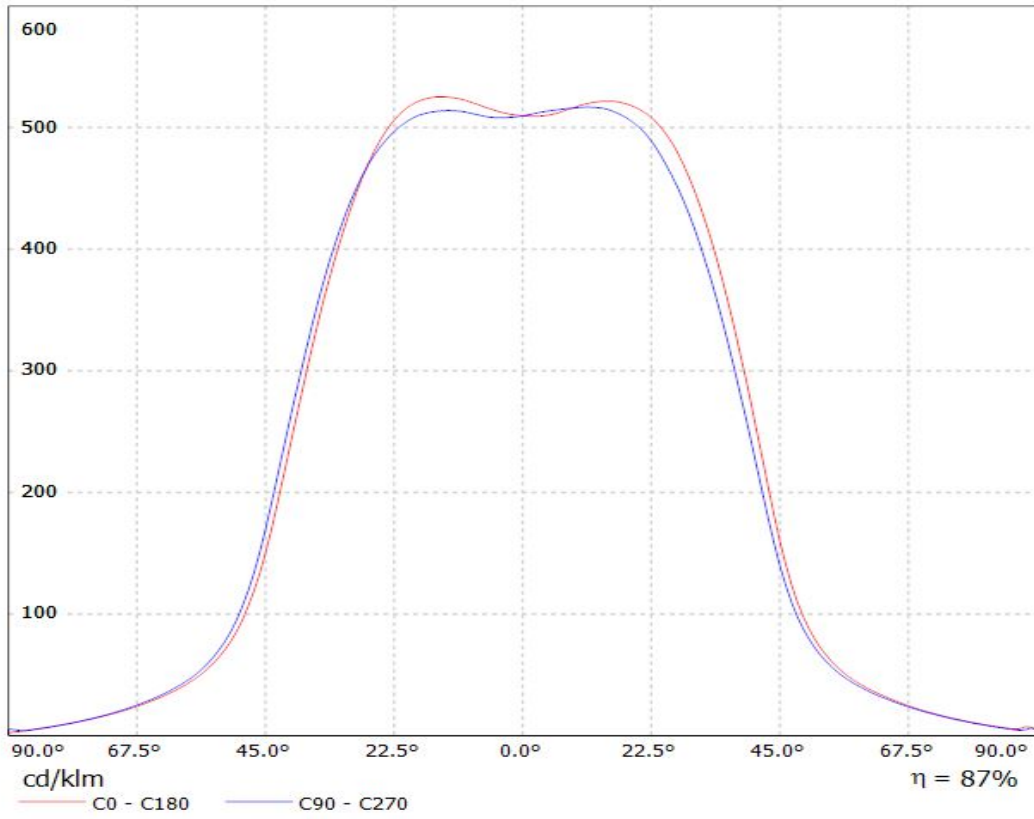
DRAWING TITLE
RONDA-family

This drawing is the property of LEDiL Oy. It may not be reproduced, copied or communicated without a written agreement with LEDiL Oy.

SIZE	PART NUMBER		
A3	-		
SCALE	1:1	WEIGHT	-
SHEET		3/3	

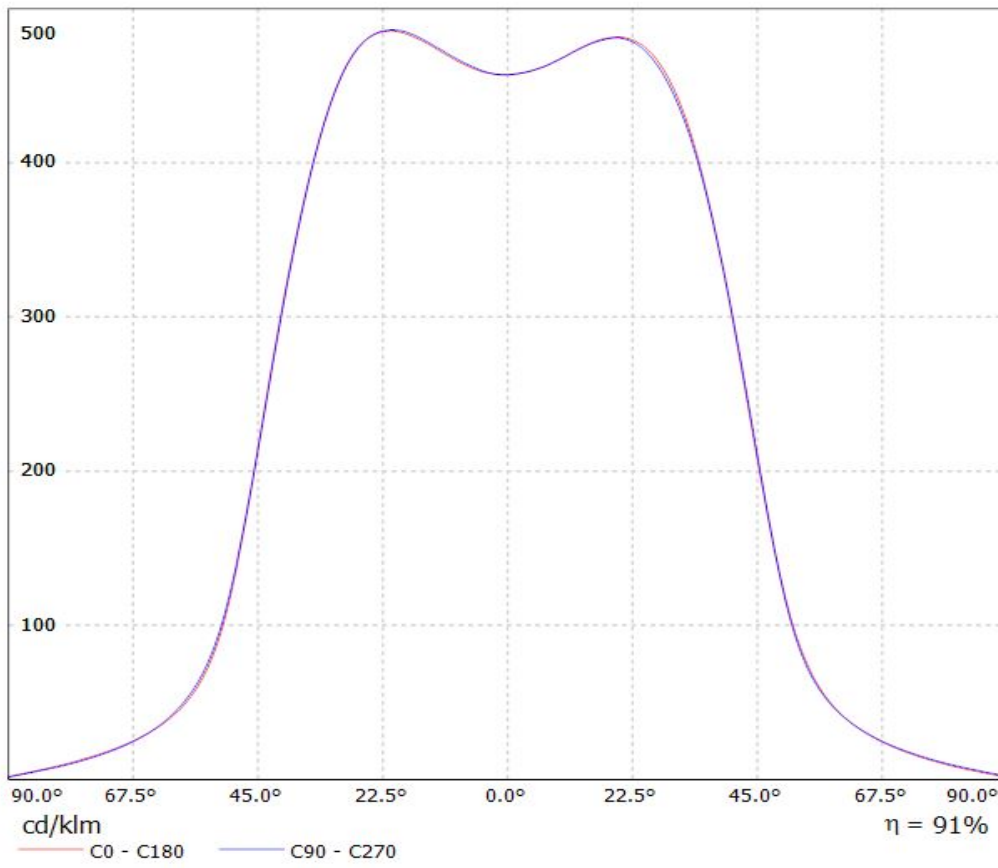
Luminaire: LEDiL Oy FN15789_RONDA-REC-90_(V13_Gen7)+TE

Lamps: 1 x Bridgelux_V13_Gen7_(BXRE-30E2000-B_+TE_2213254-2+TE_2213194-1)_1295.55lm@250mA_P=8.30985W_I=0.25A



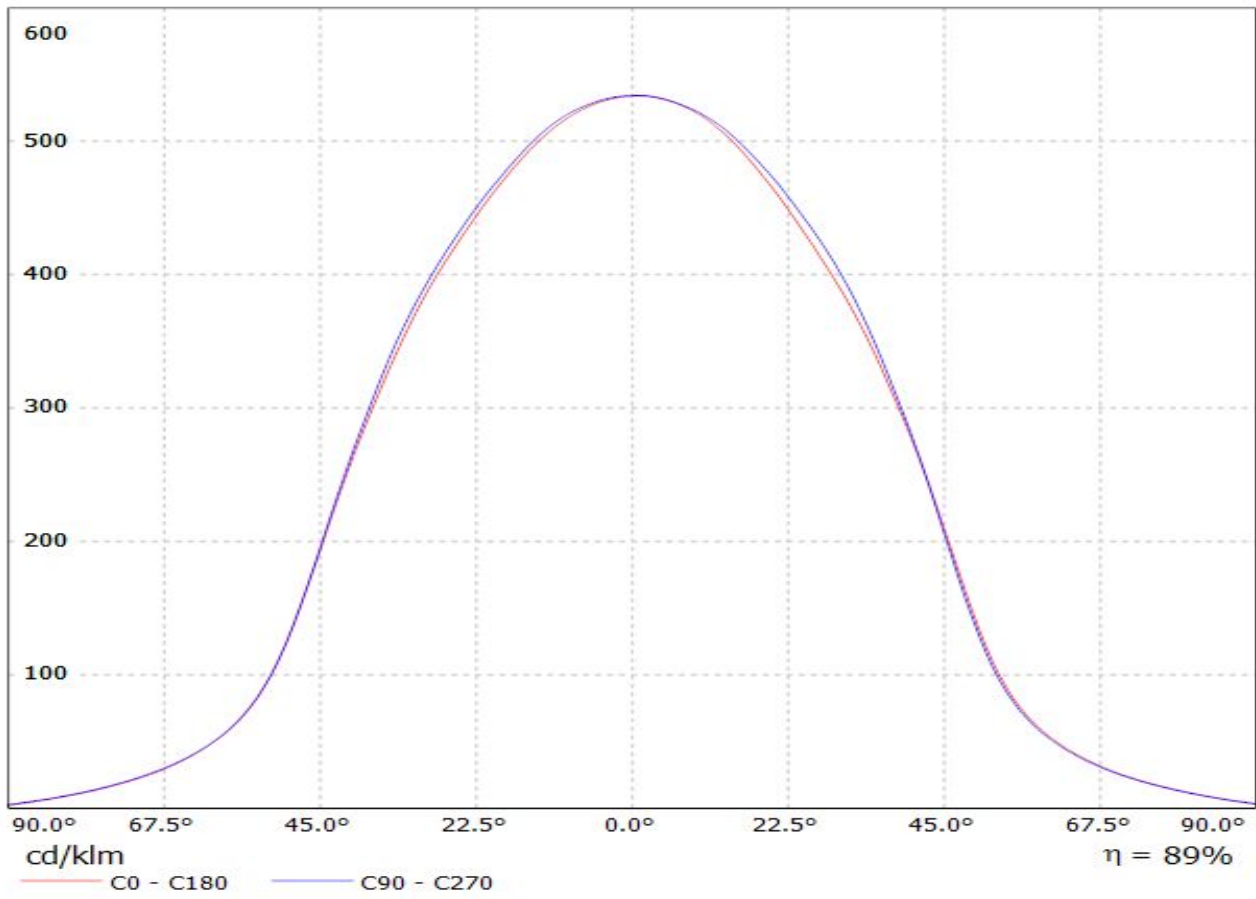
Luminaire: LEDiL Oy FCN15791_RONDA-REC-90_(VERO13)

Lamps: 1 x Bridgelux_VERO13_(BXRC-30E2000-C-Z3)_+C13658_CLAMP-VERO13-18_956.274lm@250mA_CCT=3000K_P=7.59867W_I=0.25A

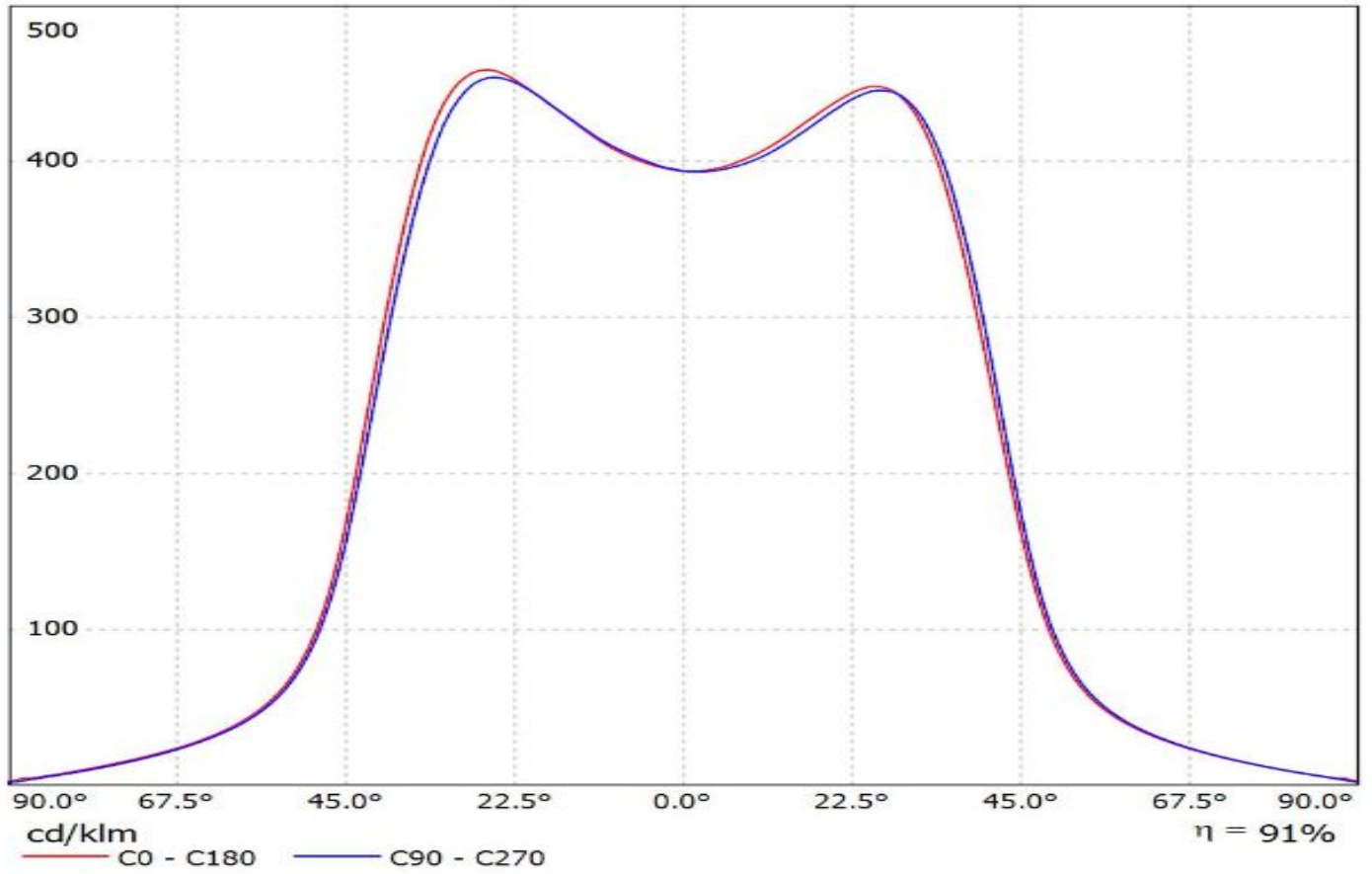


Luminaire: Ledil FCN15791_RONDA-REC-90_(VERO18)

Lamps: 1 x Bridgelux_VERO18_(BXRE-30E4000-F-23)_1035.16lm@250mA_CCT=3000K_P=6.80625W_I=0.25A

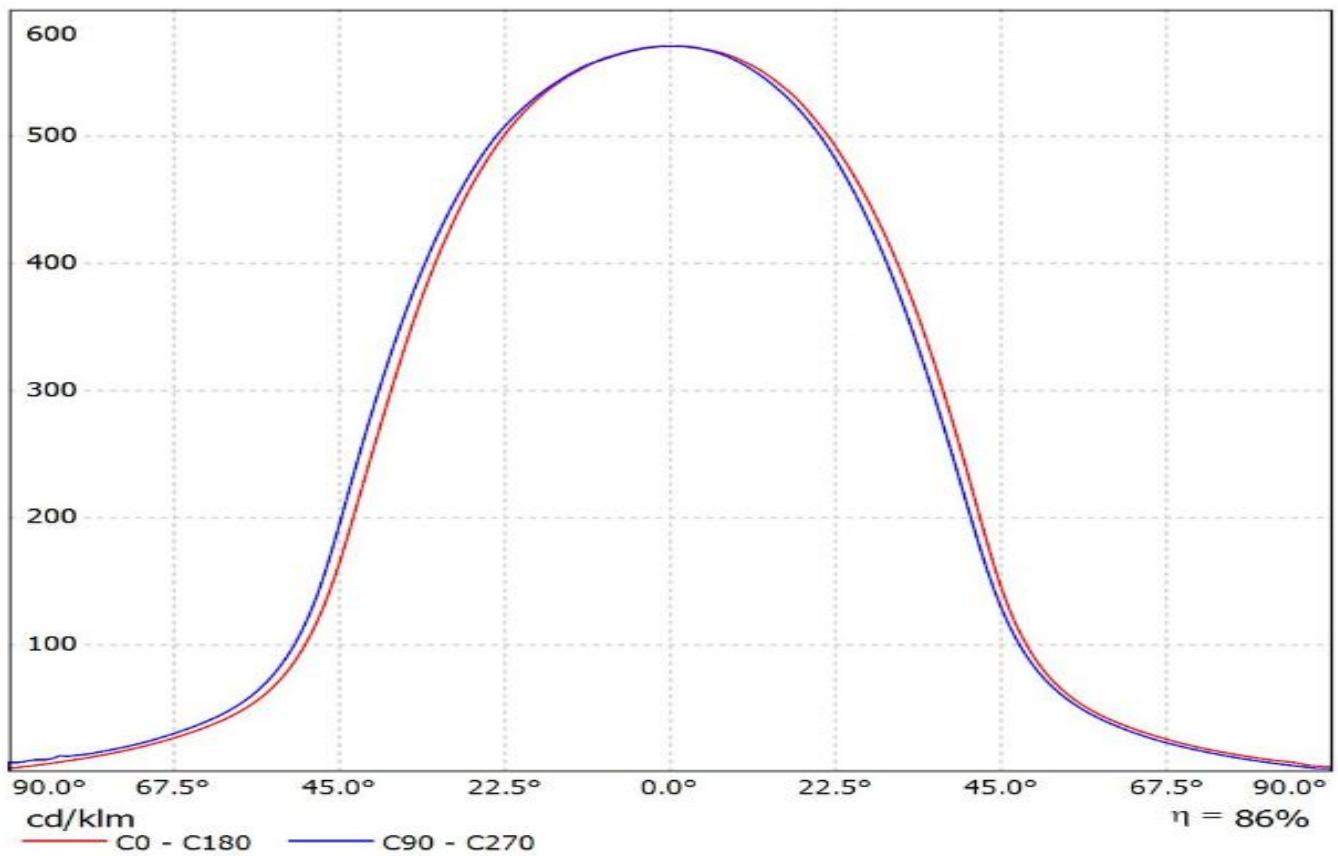


Luminaire: LEDiL Oy FCN15790_RONDA-REC-90_(CXA1520)
Lamps: 1 x Cree_CXA1520_(CXA1520-30F-N4-N0H-00001)+C14123_CLAMP-CXA15-
18_1003.41lm@250mA_P=8.57488W_η=0.25A

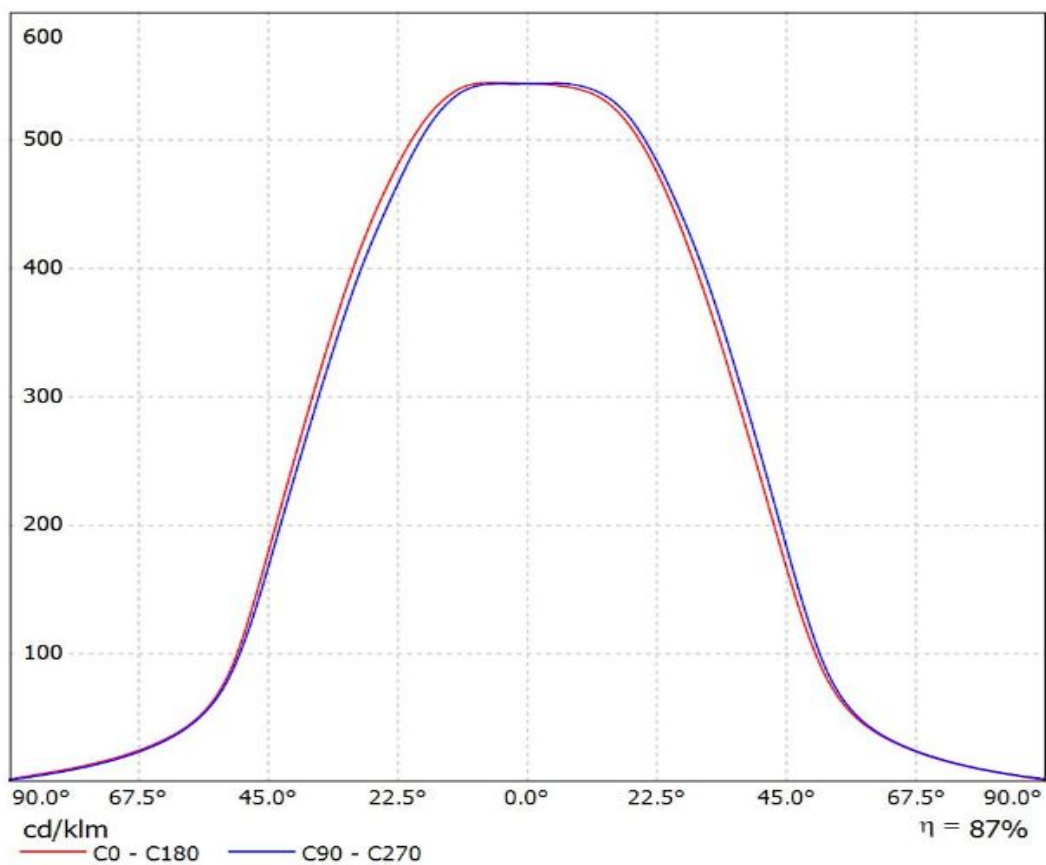


Luminaire: Ledil FN15789_RONDA-REC-90_(SLM_G5_LES_15_+TE)

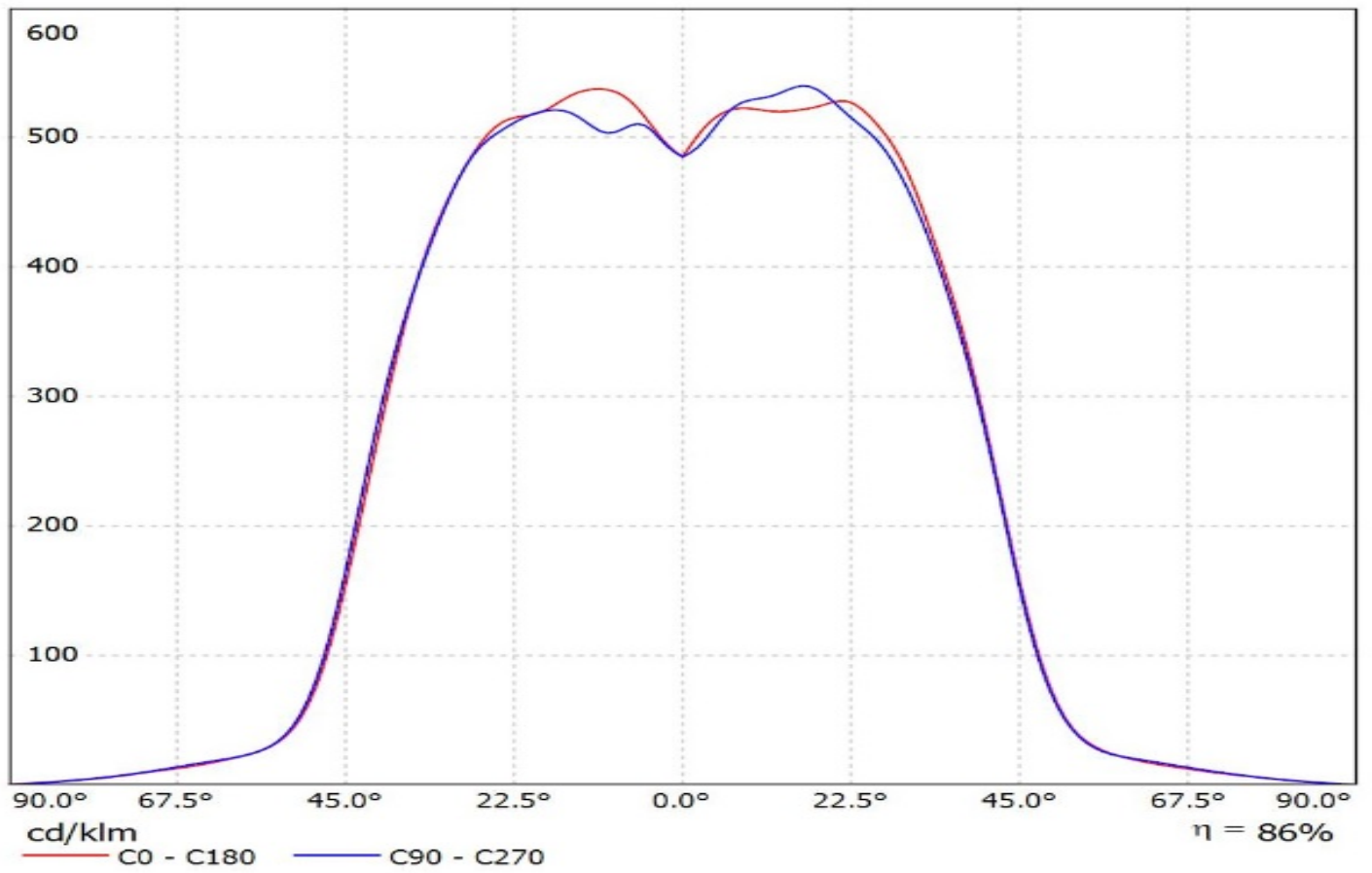
Lamps: 1 x Philips_SLM_G5_LES_15_+TE_2213194-1_1277.72lm@250mA_P=8.208W_I=0.25A



Luminaire: Ledil FN15789_RONDA-REC-90_(MJT_30W_Les14,5)_TE
Lamps: 1 x Seoul_MJT_30W_Les14,5mm_(SAWx1566A)_+TE_2213254-2+_TE_2213194-1_1328.6lm@250mA_P=8.24025W_I=0.25A

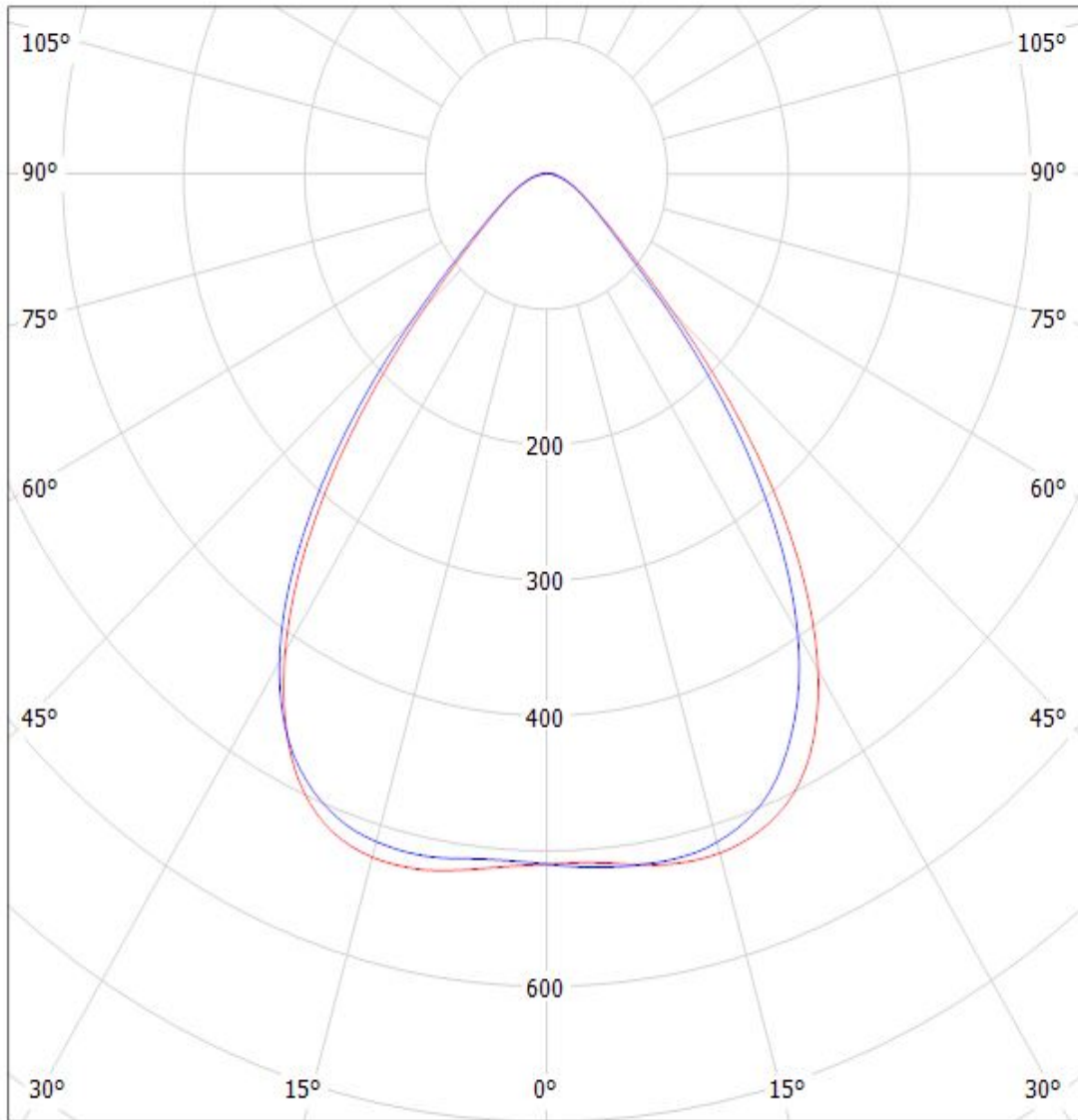


Luminaire: Ledil Oy PRELIMINARY_FN15789_RONDA-REC-90_(SLE_G6_LES15)_(2213254-2_+ 2213194-1)_SIMULATED
Lamps: 1 x Tridonic SLE G6 LES15 + Tyco Electronics 2213254-2 + TE 2213194-1 Optic clip



Luminaire: LEDiL Oy FN15789_RONDA-REC-90_(V13_Gen7)+TE

Lamps: 1 x Bridgelux_V13_Gen7_(BXRE-30E2000-B_+TE_2213254-2+TE_2213194-1)_1295.55lm@250mA_P=8.30985W_I=0.25A



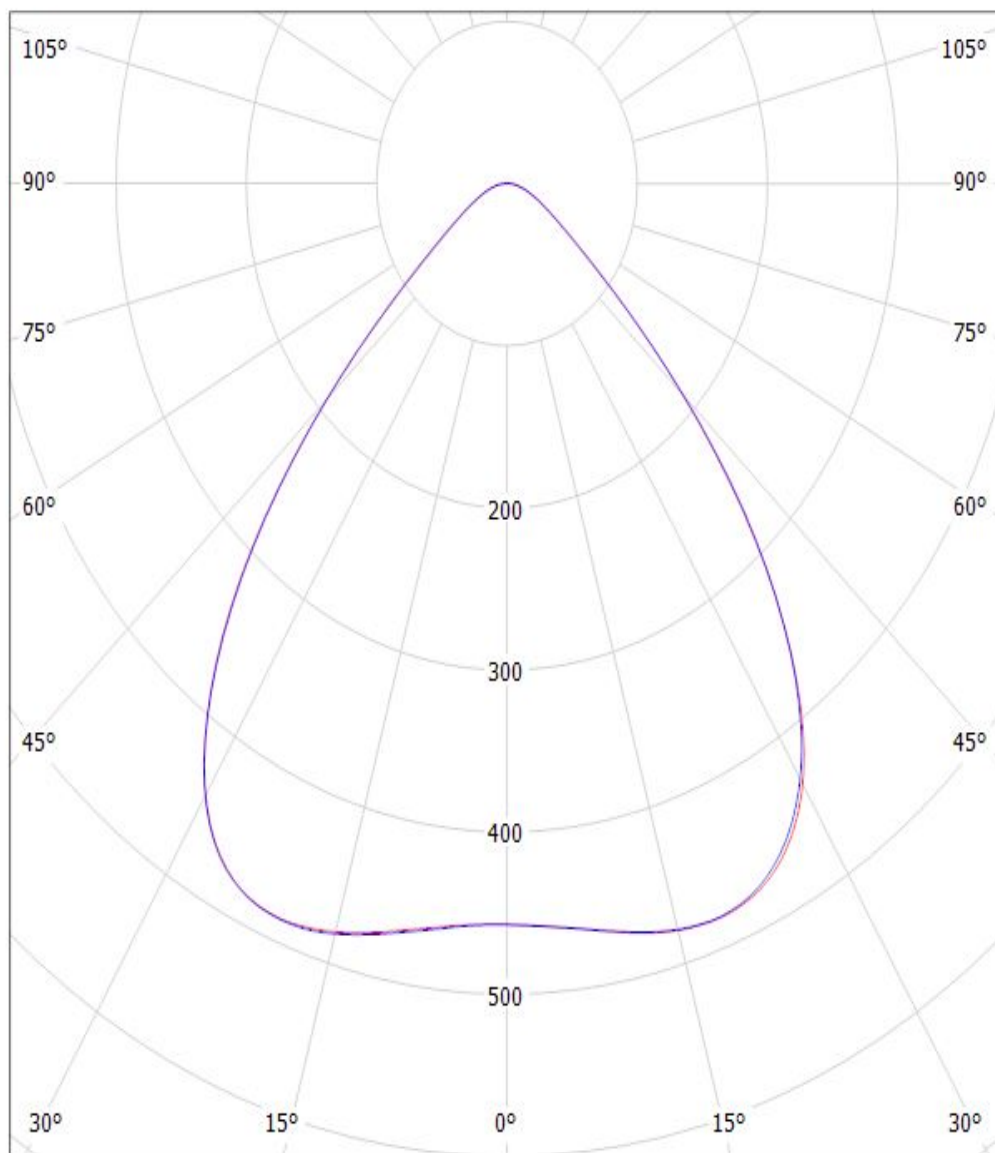
cd/klm

— C0 - C180 — C90 - C270

$\eta = 87\%$

Luminaire: LEDiL Oy FCN15791_RONDA-REC-90_(VERO13)

Lamps: 1 x Bridgelux_VERO13_(BXRC-30E2000-C-Z3)_+C13658_CLAMP-VERO13-18_956.274lm@250mA_CCT=3000K_P=7.59867W_I=0.25A



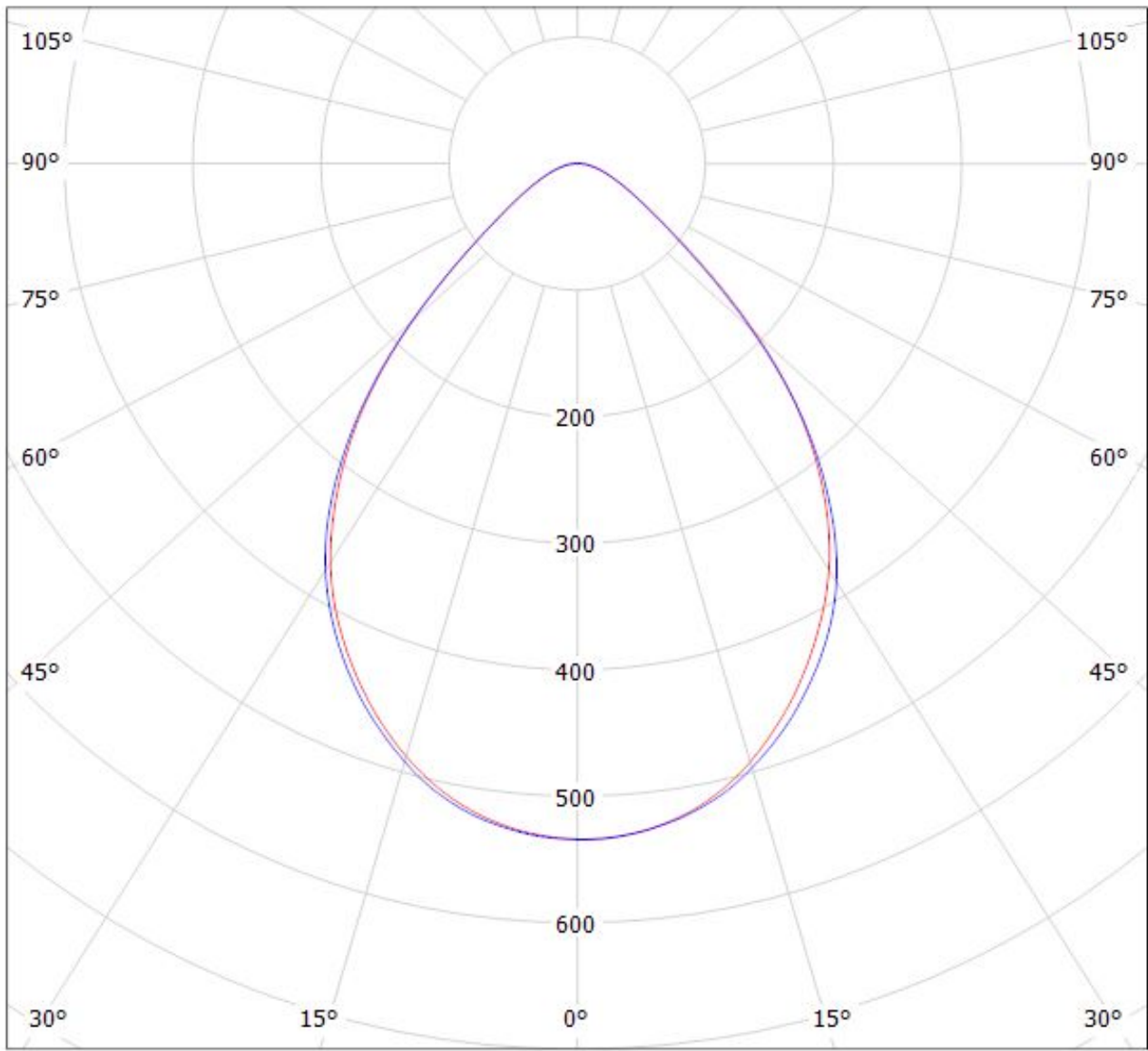
$\eta = 91\%$

cd/klm

— C0 - C180 — C90 - C270

Luminaire: Ledil FCN15791_RONDA-REC-90_(VERO18)

Lamps: 1 x Bridgelux_VERO18_(BXRE-30E4000-F-23)_1035.16lm@250mA_CCT=3000K_P=6.80625W_I=0.25A



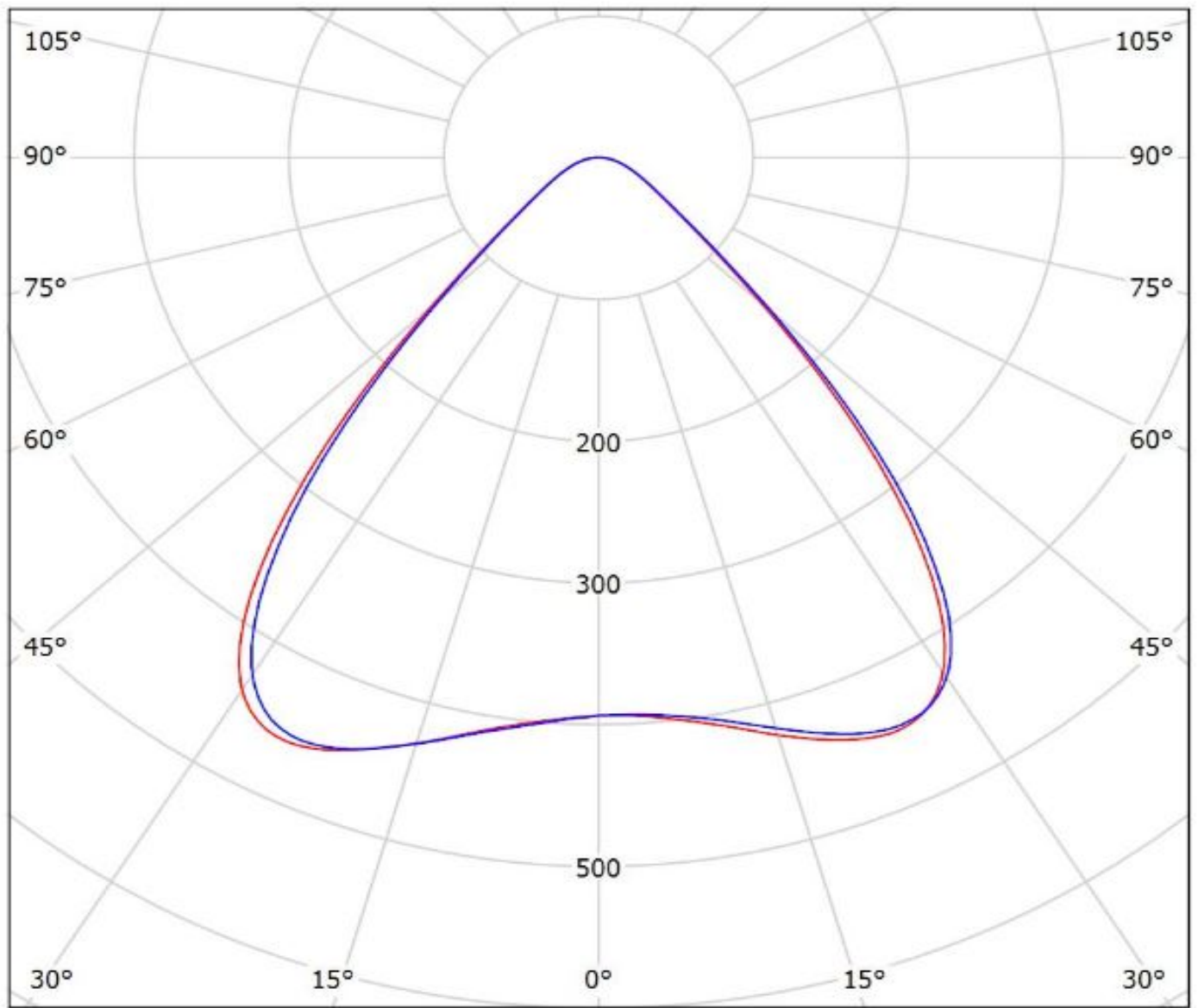
cd/klm

— C0 - C180

— C90 - C270

$\eta = 89\%$

Luminaire: LEDiL Oy FCN15790_RONDA-REC-90_(CXA1520)
Lamps: 1 x Cree_CXA1520_(CXA1520-30F-N4-N0H-00001)+C14123_CLAMP-CXA15-18_1003.41lm@250mA_P=8.57488W_I=0.25A



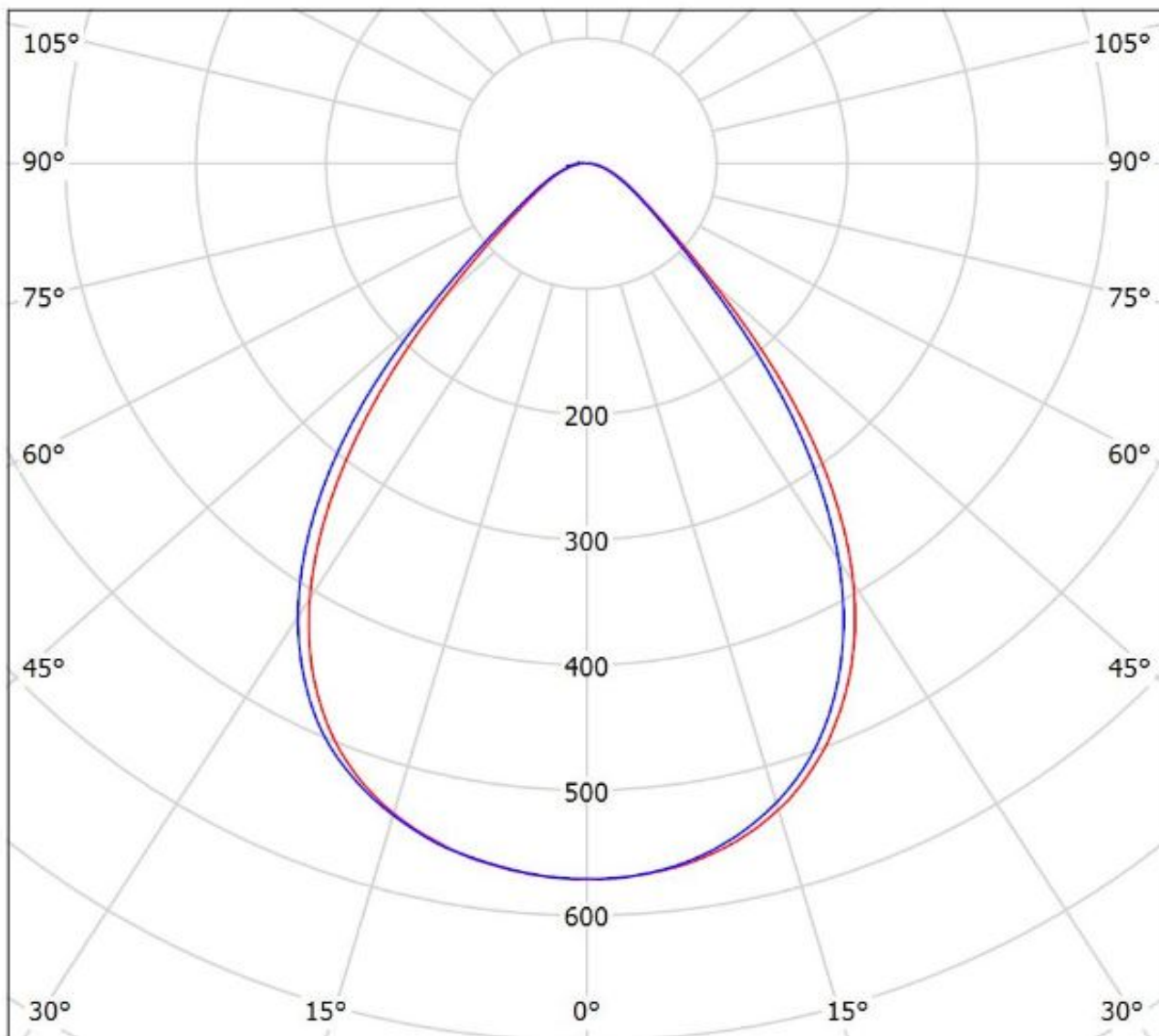
cd/klm

— C0 - C180 — C90 - C270

$\eta = 91\%$

Luminaire: Ledil FN15789_RONDA-REC-90_(SLM_G5_LES_15_+TE)

Lamps: 1 x Philips_SLM_G5_LES_15_+TE_2213194-1_1277.72lm@250mA_P=8.208W_I=0.25A



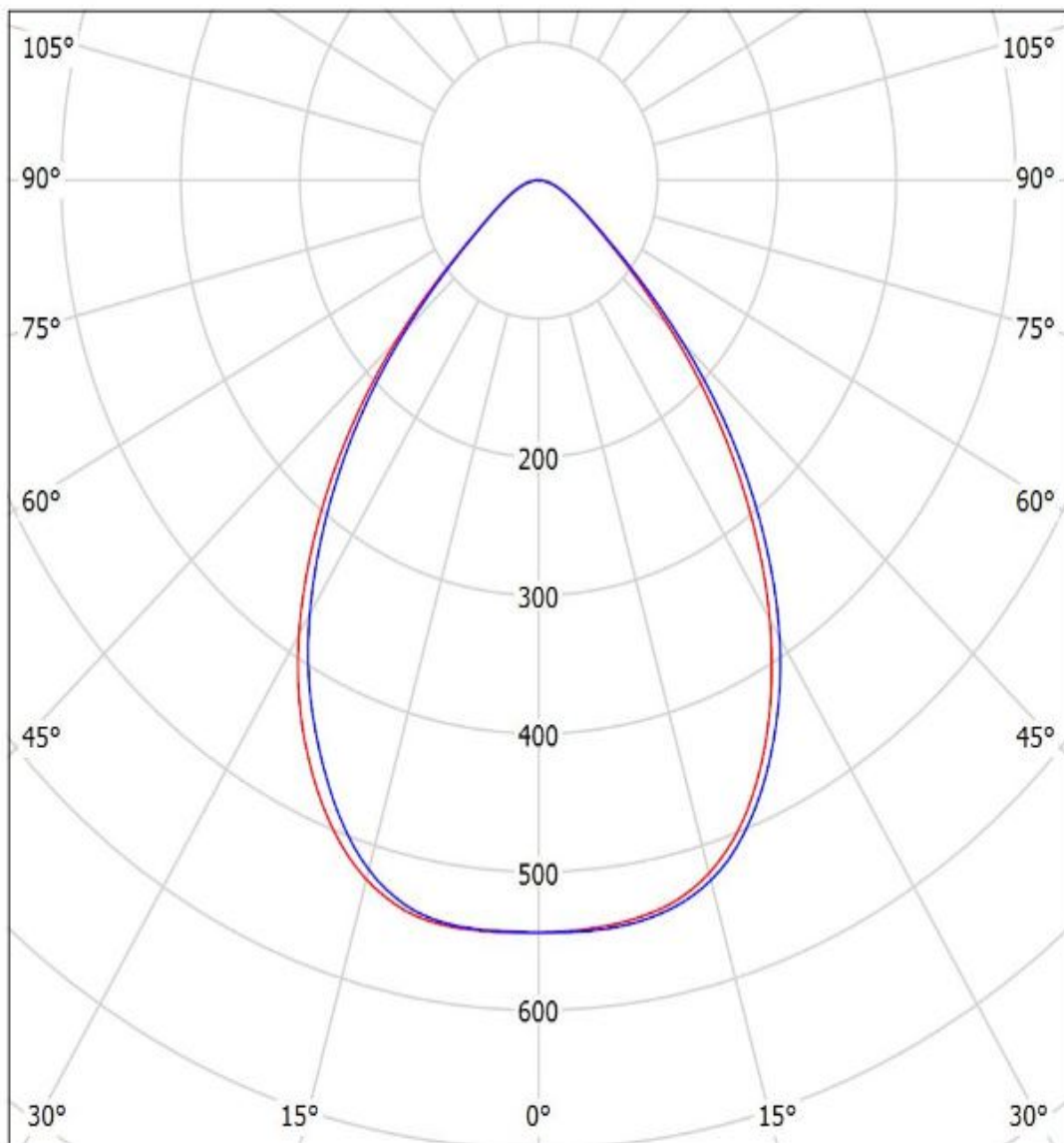
cd/klm

— C0 - C180 — C90 - C270

$\eta = 86\%$

Luminaire: Ledil FN15789_RONDA-REC-90_(MJT_30W_Les14,5)_TE

Lamps: 1 x Seoul_MJT_30W_Les14,5mm_(SAWx1566A)_+TE_2213254-2_+_TE_2213194-1_1328.6lm@250mA_P=8.24025W_I=0.25A



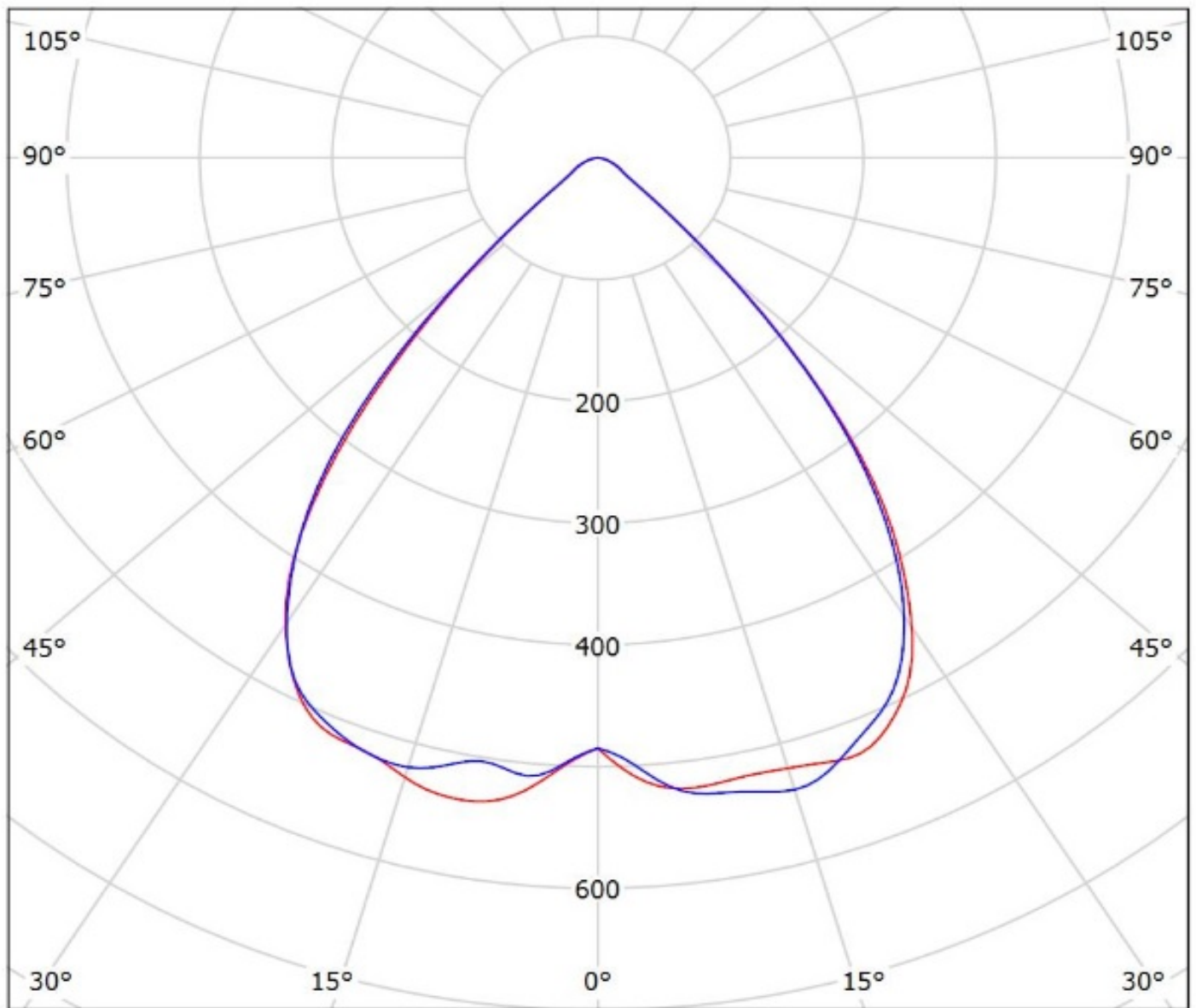
cd/klm

— C0 - C180 — C90 - C270

$\eta = 87\%$

Luminaire: Ledil Oy PRELIMINARY_FN15789_RONDA-REC-90_(SLE_G6_LES15)_(2213254-2+_2213194-1)_SIMULATED

Lamps: 1 x Tridonic SLE G6 LES15 + Tyco Electronics 2213254-2 + TE 2213194-1 Optic clip



cd/klm

— C0 - C180 — C90 - C270

$\eta = 86\%$

NOTE: The typical divergence will be changed by different color, chip size and chip position tolerance. The typical total divergence is the full angle measured where the luminous intensity is half of the peak value.

GENERAL INFORMATION

- Product series especially designed & optimized for series of LEDs.
- Special care taken to make light distribution as uniform as possible.

Note! Due to use of high power COB's with this product, special attention to proper thermal design is highly recommended. LEDiL has no liability for direct, indirect or consecutive damages arising from the LEDiL products being used outside of the recommended temperature range.