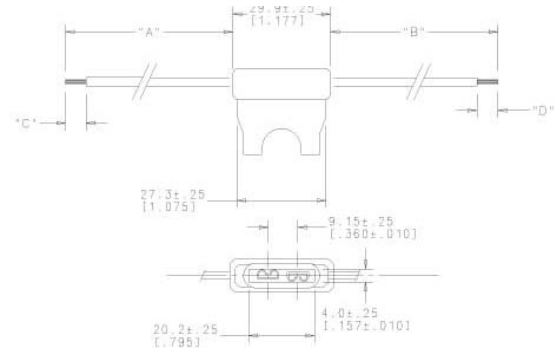


**Blade Fuse Holder - In-Line Fuse Holder for ATO® Style Blade Fuse** RoHS



| Series<br>Serien | Pack<br>Size |
|------------------|--------------|
| 0FHA0001.ZXJ     | 500          |
| 0FHA0002.ZXJ     | 500          |

| Part Number<br>Artikel-Nr. | Description<br>Beschreibung                   | Fuse Rating<br>Sicherungs-<br>Nennstrom |
|----------------------------|---|---|
| 0FHA0002_                  | 12AWG/3.3mm <sup>2</sup> stranded orange wire | 30 A                                    |
| 0FHA0001_                  | 16AWG/1.3mm <sup>2</sup> stranded black wire  | 20 A                                    |

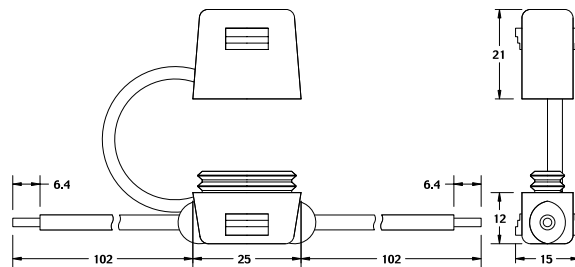
Used with ATO® / FKS Fuse 1 to 20A or 25A and 30A. Supplied with two 4" / 102mm wire leads.

Für ATO® / FKS-Sicherungen von 1A bis 20A oder 25A und 30A. Lieferung mit zwei 102mm langen Leitungen.

Wire length, color and diameter can be customized upon request. Customization requires minimum order quantities depending on nature of modifications. Please contact your sales representative for details.

Fuse Holders  
Inline

**Blade Fuse Holders - In-Line Splash-Waterproof Fuse Holder for ATO® Style Blade Fuse** RoHS



| Series<br>Serien | Pack<br>Size |
|------------------|--------------|
| FHAC0001ZXJ      | 1000         |
| FHAC0002ZXJ      | 1000         |

| Part Number<br>Artikel-Nr. | Description<br>Beschreibung                   | Fuse Rating<br>Sicherungs-<br>Nennstrom |
|----------------------------|---|---|
| FHAC0001_                  | 16AWG/1.3mm <sup>2</sup> stranded black wire  | 20 A                                    |
| FHAC0002_                  | 12AWG/3.3mm <sup>2</sup> stranded orange wire | 30 A                                    |

Used with ATO® / FKS Fuse 1 to 20A or 25A and 30A. Supplied with two 4" / 102mm wire leads. Includes protective cover for harsh environment.

Für ATO® / FKS-Style-Sicherungen von 1A bis 20A oder 25A und 30A. Lieferung mit zwei 102mm langen Leitungen (orange, AWG12). Mit Schutzhaube für raue Umgebungen.

Wire length, color and diameter can be customized upon request. Customization requires minimum order quantities depending on nature of modifications. Please contact your sales representative for details.