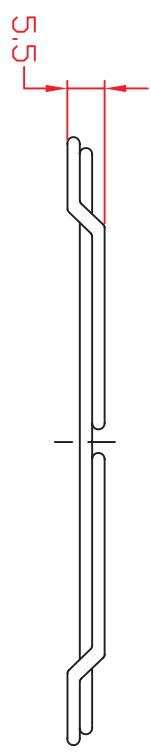
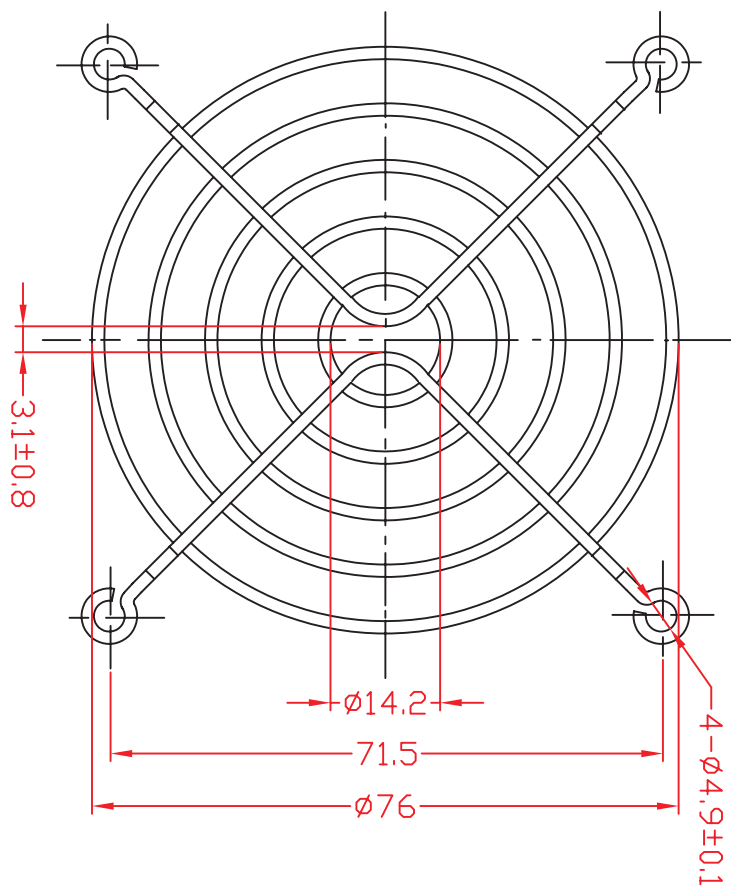


EDITION	DATE	REVISION RECORD	REVISION NO.	APPROVED



- NOTES:
- 1.MATERIAL:C1008 BRIGHT BASIC WIRE.
  - 2.FINISH:BRIGHT NICKEL CHROME.Cr3
  - 3.(1)RINGS ARE  $\phi$  1.8mm.  
(2)RIBS ARE  $\phi$  1.8mm.
  - 4.WELD JOINTS TO WITHSTAND 88 LBS PULL FORCE.
  - 5.SPACING BETWEEN RINGS TO BE EUQDISTANT 5.48mm.
  - 6.GENERAL TOLERANCE UNLESS NOTED:±0.5mm.
  - 7.PART MEETS  $\phi$  6.35mmPLUG GAUGE TEST.
  - 8.UNIT:mm.

APPROVED	CHECKED	DESIGNED	DRAWN	SCALE		MATERIAL	SEE NOTES	TITLE	FAN GUARD
				1	1				
				DRAWING DATE		FINISH	SEE NOTES	PART NO.	REV
									0