

PRODUCT NUMBER
76383-YXX

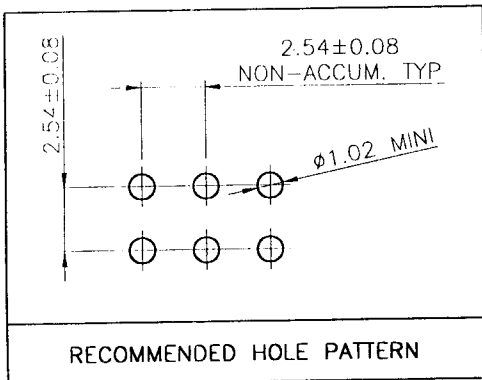
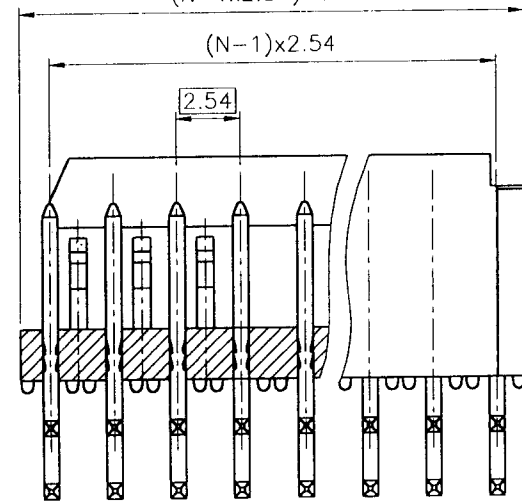
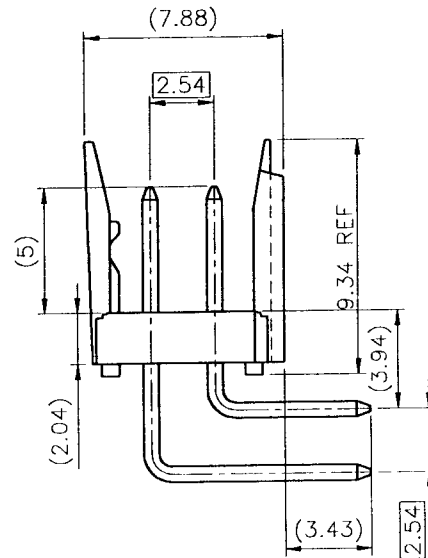
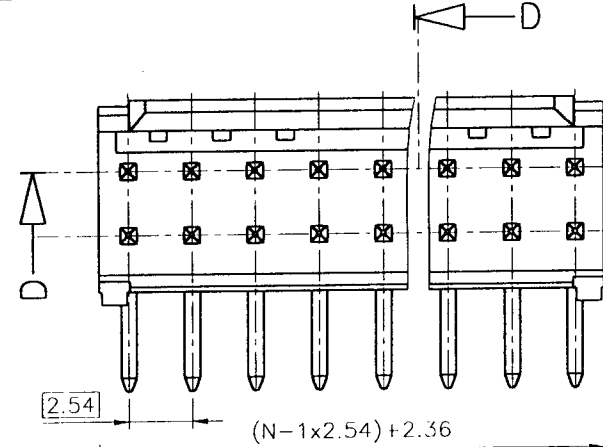
NUMBER OF POSITIONS PER ROW: 02 TO 36.

PLATING CODE

- 3= 0.76μm GOLD ON CONTACT AREA.
3.81μm TIN-LEAD ON TAIL.
- 4= 5μm TIN-LEAD ON CONTACT AREA.
3.81μm TIN-LEAD ON TAIL.

NOTES:

- 1 - HOUSING MAT'L: THERMOPLASTIC GLASS FILLED
FLAME RETARDANT PER UL 94 V-0 COLOR: BLUE.
- 2 - TERMINAL MATERIAL: PHOSPHOR BRONZE.
- 3 - 2 UP TO 6 POSITIONS PRODUCT PACKED IN PLASTIC BAG.
7 UP TO 36 POSITIONS PRODUCT PACKED IN TUBE.
- 4 - TO DETERMINE DIMENSIONS:
N = NUMBER OF POSITIONS PER ROW
EXAMPLE: 8 POS: (N×2.54)-1=19.32 mm
- 5 - MINI PUSH-OUT FORCE TERMINAL IN BOTH
DIRECTIONS 22N.



mfr. code SEE NOTE		tolerances unless otherwise specified		CUSTOMER COPY		ELECTRONICS www.fciconnect.com	
lfr	ecm no	dr	date	linear	projection	title SHR. HEADER RA DR TMT	
E	F00133	DLE	00.02.21	angles		product family DUBOX	
F	F10120	DLE	01.01.24	dr		mm	code 213
				engr	←	size	sheet
				chr	scale	dwg no	1 of 1
				appr	5:1	A3	
sheet	revision	F					
index	sheet	1					