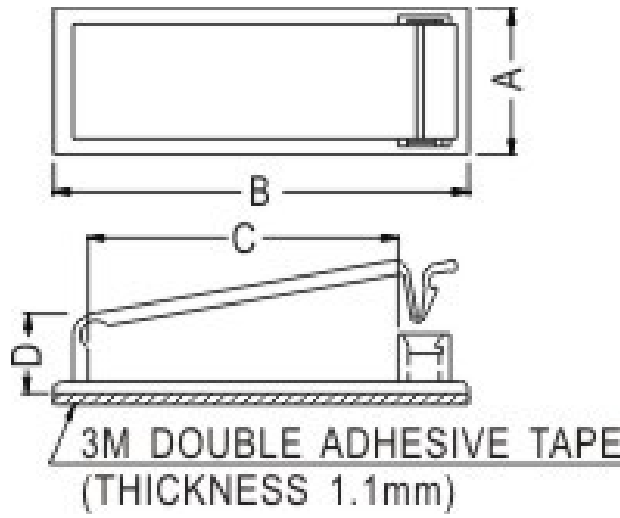


- ◆ MATERIAL: NYLON 66 (UL)
- ◆ FLAME CLASS: 94V-2
- ◆ COLOR: NATURAL
- ◆ UNIT: mm



PART NO	A	B	C	D	PACKAGE
FCA-1	19.7	77.6	64.0	12.8	50
FCA-2	19.0	53.5	40.0	11.2	100
FCA-3	19.0	45.8	32.0	11.2	200
FCA-5	19.8	45.4	31.8	18.0	200
FCA-6	19.3	53.5	39.7	14.8	200
FCA-7	19.3	53.5	39.7	14.5	200