

ISS.	AMEND	DATE
1		5/6/90
2	REDRAWN MATL PBT UPDATED	14/2/91
3		17/6/03

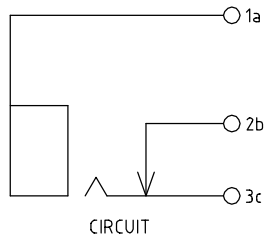
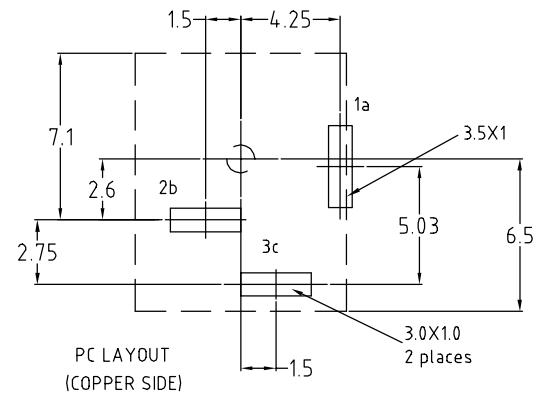
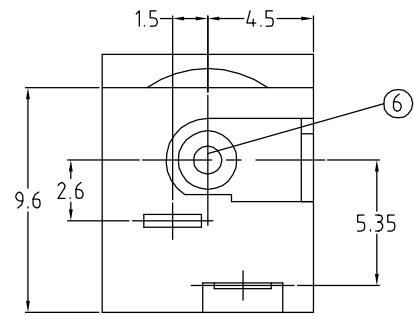
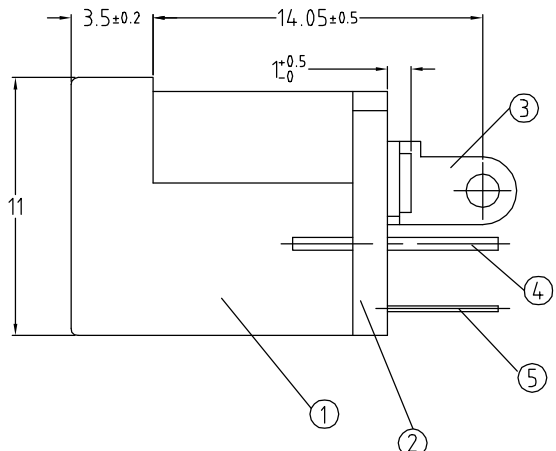
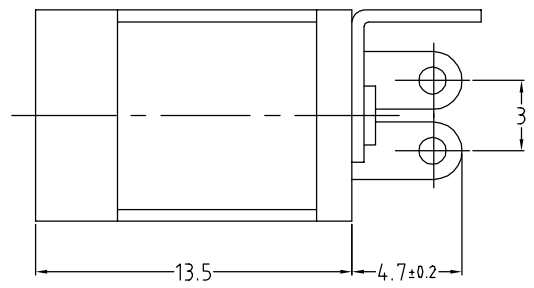
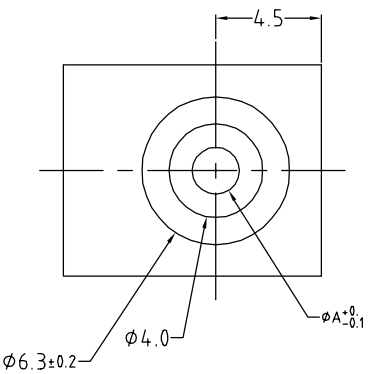
No.	DESCRIPTION	QTY	MATERIAL	FINISH
1	HOUSING	1	PBT +30% GLASS	BLACK AS MOULDED
2	P.C.B.	1	P.C.B.	-
3	EARTH TERMINAL	1	C2680R-H t=0.5	SILVER PLATED
4	BREAK TERMINAL	1	C2680R-H t=0.5	SILVER PLATED
5	TIP TERMINAL	1	C5210R-SH t=0.5	SILVER PLATED
6	CENTRE PIN	1	BRASS	Ni PLATED

VARIANTS

MODEL	DIM A	P/No.
DC9	2.0	FC68146
DC9A	2.5	FC681461

NOTES:

- MECHANICAL DIMENSION : 13.1X8.8X10.7 mm.
- INSULATION : PLASTIC HOUSING, RESISTANCE VALUE AT 1000MΩ.
- SHUNT SPRING : BRASS SILVER PLATED.
- TIP SPRING : COPPER ALLOY SILVER PLATED.
- MOUNTING BUSHING : BRASS NICKEL PLATED.
- PLASTIC HOUSING : PLASTIC APPROVED BY U.L.
- INSULATION RESISTANCE : BETWEEN ANY OPEN TERMINAL MORE THAN 100MΩ AT 100V OR 250V, HUMIDITY AT 90-95% RELATIVE HUMIDITY AT 40°C.
- CONTACT RESISTANCE:
  - RESISTANCE NORMALLY CLOSED CONTACTS LESS THAN 30MΩ.
  - AFTER 5000 CYCLES OF INSERTIONS WITH TESTING PLUG.
- INSERTION FORCE : 0.5kg-15kg. EXTRACTION FORCE: 0.5kg-15kg.
- VOLTAGE TEST : WITHSTAND 500V BETWEEN ANY OPEN TERMINAL FOR ONE MINUTE.
- LIFE TIME : WITHSTAND MORE THAN 5000 CYCLES INSERTION AND WITHDRAWAL WITH TESTING PLUG.
- THIS PRODUCT SHOULD NOT BE WASHED BY A CHLORIDE.
- OPERATING TEMPERATURE :-20°C~+100°C.



RATED 12V DC - 5A

**RoHS**  
COMPLIANT

TOLERANCE  
 NO DEC. PLACE ± 0.50  
 1 DEC. PLACE ± 0.30  
 2 DEC. PLACE ± 0.10  
 HOLE DIA. ± 0.10  
 ANGLES ± 2°  
 UNLESS OTHERWISE STATED

WHERE USED F.R.  
 SCALE N.T.S.

DIMENSIONS IN MILLIMETERS UNLESS OTHER WISE STATED. WORK TO DIMENSIONS. DO NOT SCALE DRAWING. 3rd ANGLE PROJECTION. REMOVE ALL BURRS. IF IN DOUBT ASK.

<b>Cliff Electronic Components Ltd.</b> 76 Holmethorpe Ave., Holmethorpe Ind. Estate, Redhill, Surrey, RH1 2PF, England Tel: 01737-771375 Fax: 01737-766012	MATERIAL	SEE TABLE	TITLE	DC POWER SOCKET DC9
	FINISH	SEE TABLE		
DRAWN	CAMJ	APPD.	RWT	DRWG. No. <b>FC68146</b>
				FORM: A4DRWG