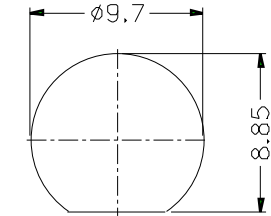
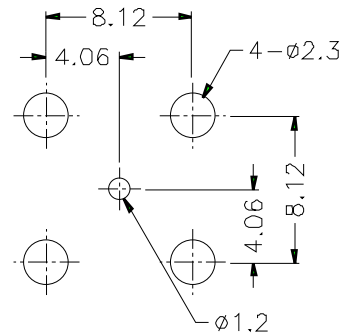
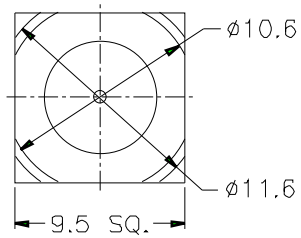
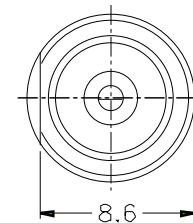
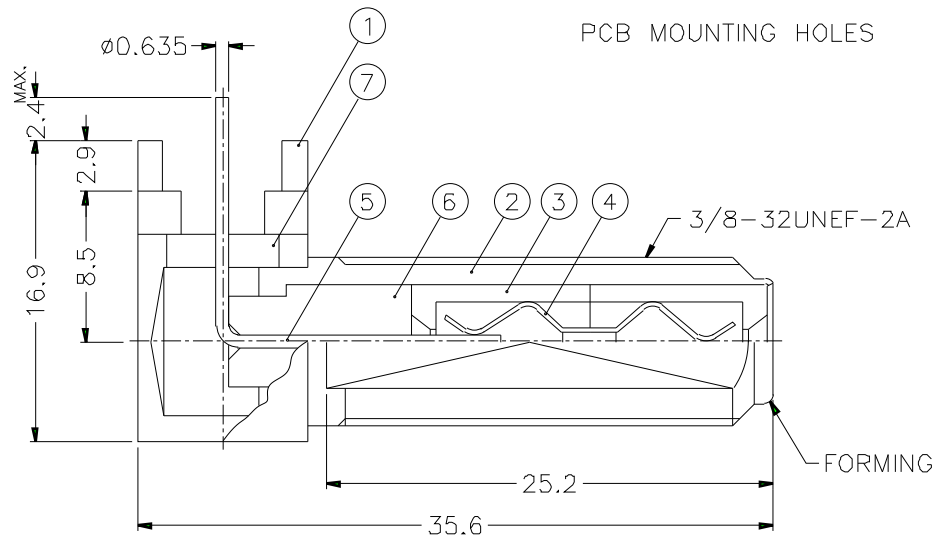


REVISIONS	
ISS	DESCRIPTION\PER REQUEST\DATE



PCB MOUNTING HOLES

RECOMMENDED MOUNTING HOLE



NOTES: FINISH (PLATING THICKNESS IN MICRO-INCHES)

- 1. BRASS PER QQ-B-826
- 2. BRASS PER QQ-B-613
- 3. NICKEL PL. 100 MIN. THICK OVER COPPER STRIKE
- 4. BRIGHT TIN PL. 100 MIN. THICK OVER NICKEL PL. 50 MIN. THICK OVER COPPER PL. 100 MIN. THICK

DIMENSIONS ARE IN MILLIMETERS						PART NO. F6252A1-NPPT		<h1 style="text-align: center;">Amphenol</h1>		
7	INSULATOR	DELRIN	NATURAL	1	F7790-7	APPROVED	DATE			TITLE
6	INSULATOR	DELRIN	NATURAL	1	1016844-6	CHECKED	DATE			F R/A CONNECTOR
5	CONTACT PIN	NOTE 1	NOTE 4	1	1016844-5-C	DRAWN	DATE			DRAWING NO.
4	CONTACT PIN	NOTE 2	NOTE 4	1	F7790-34-PPBT	10-11-01'		KJ-F6252A1-NPPT		
3	INSULATOR	P.P.	NATURAL	2		10-11-01'		ITEM NO.		
2	BODY	NOTE 1	NOTE 3	1	1016844-2	10-11-01'				
1	HOUSING	NOTE 1	NOTE 3	1	1016844-1	10-11-01'				
NO.	DESCRIPTION	MATERIAL	FINISH	Q'TY	DRAWING NO.	SCALE	ISSUE	FILE NO.		

1 2 3 4 5 6 7 8