

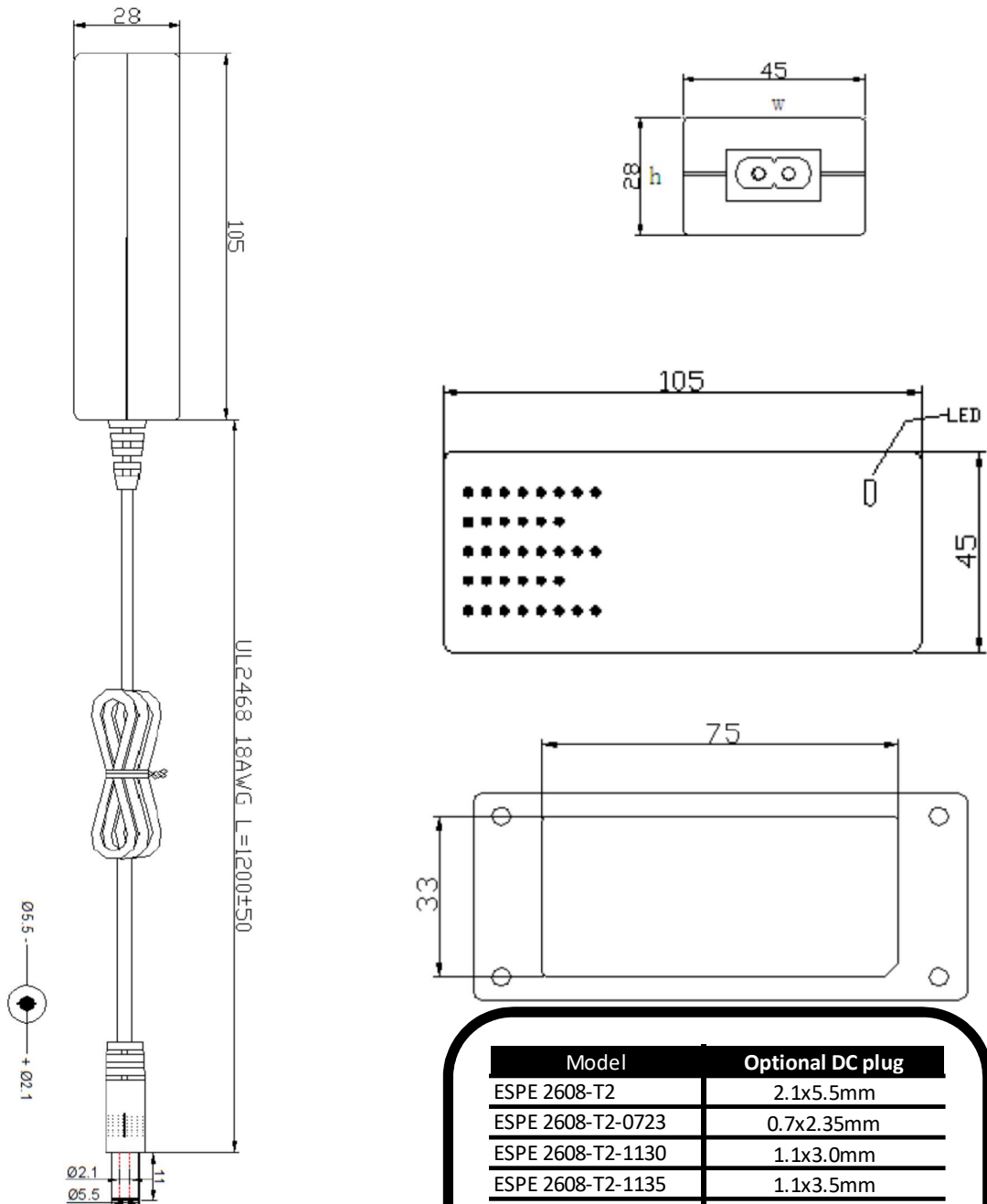


Model
ESPE 2608 T2

Output		
Voltage	Current	Power
7.5V	3.5A	26W
CE		
EMC	2014/30/EU	
LVD	2014/35/EU EN 60950-1:2006+A11+A12+A2	
M.T.B.F.		
50.000 h Calculated Hours at 25°C		

Output Characteristics:				
Voltage	Min. Load	Rated. Load	peak Load	Output Power
7.5Vdc	0.00A	3.5A	3.8A (30sec)	26W
Combined Load/Line Regulation				
Voltage	Min. Load	Rated. Load	Line Regulation	Load Regulation
7.5Vdc	0.00A	3.5A	+/- 3%	+/-8%
Ripple and Noise (Max.)				
<150mV p-p				
Efficiency:				
Energy Star Compliance: Level VI 87%				
Standby Power				
0.1W max				
Protection Function				
Short circuit protection / Over current protection / Over load protection				

Input Characteristics:				
Voltage	Faranquency	Current	Inrush Current	Ac Leakage Current
100-240 Vac	50/60Hz	0.7Amps	40 Amps Max.	0.25mA Max. At 264Vac



Model	Optional DC plug
ESPE 2608-T2	2.1x5.5mm
ESPE 2608-T2-0723	0.7x2.35mm
ESPE 2608-T2-1130	1.1x3.0mm
ESPE 2608-T2-1135	1.1x3.5mm
ESPE 2608-T2-1335	1.3x3.5mm
ESPE 2608-T2-1740	1.7x4.0mm
ESPE 2608-T2-1755	1.7x5.5mm
ESPE 2608-T2-2555	2.5x5.5mm
ESPE 2608-T2-3055	3.0x5.5mm - center pin