

**FEATURES**

- ✘ Side actuation
- ✘ End stackable
- ✘ Through hole or SMT

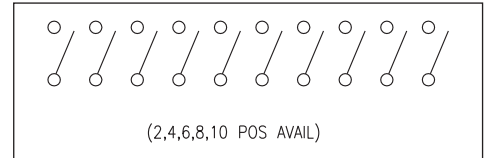
**APPLICATION**

- ✘ Industrial control
- ✘ Automatic machines control
- ✘ Telecommunication

**SPECIFICATION**

Contact Rating	25mA, 24V DC
Contact Resistance	100mΩ max.
Insulation Resistance	100MΩ min. 500V DC
Dielectric Strength	500V AC/1 minute
Operating Force	800gf max.
Travel	1mm
Operating Life	2,000 cycles
Operating Temp.	-20°C ~ +85°C
Storage Temp.	-40°C ~ +85°C

**CIRCUIT**



**PACKAGE**

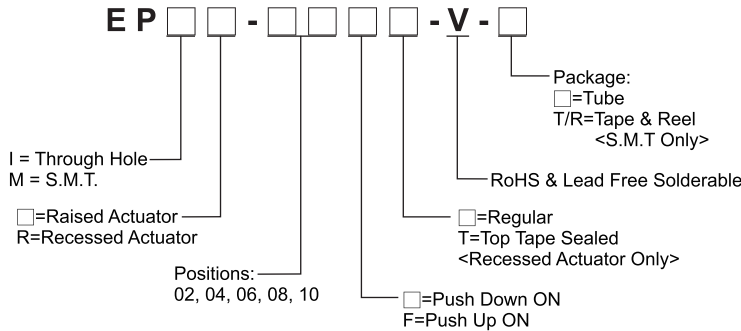
**<Tube>**

- EPI(R)/EPM(R)-02: 95 pcs
- EPI(R)/EPM(R)-04: 47 pcs
- EPI(R)/EPM(R)-06: 31 pcs
- EPI(R)/EPM(R)-08: 23 pcs
- EPI(R)/EPM(R)-10: 18 pcs

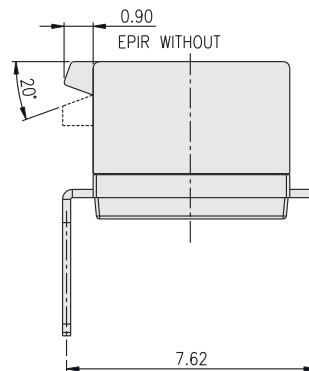
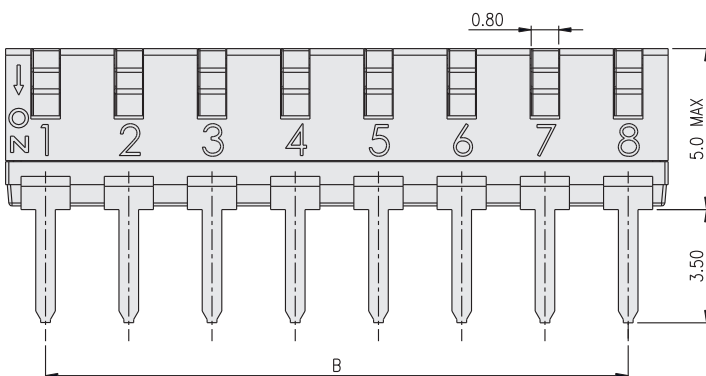
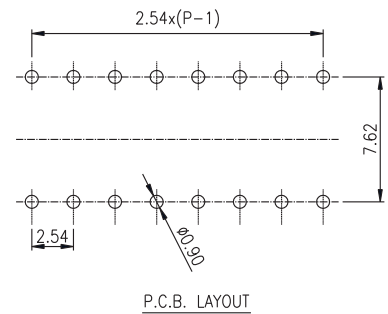
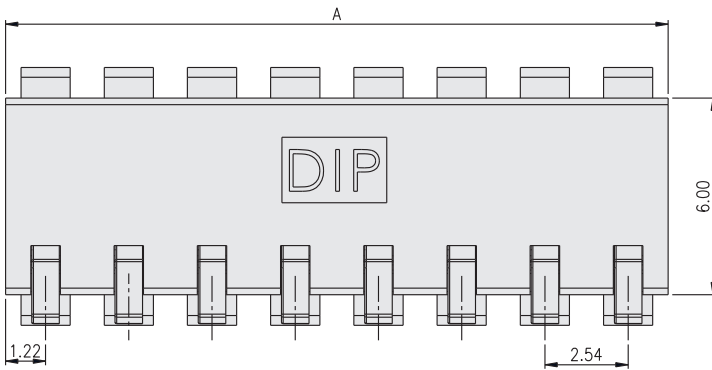
**<Tape & Reel>**

- EPM(R)-02, 04, 06, 08, 10: 700 pcs

**HOW TO ORDER**

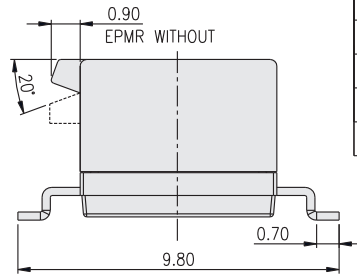
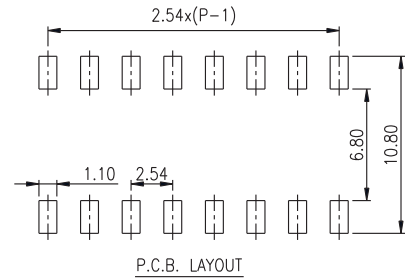
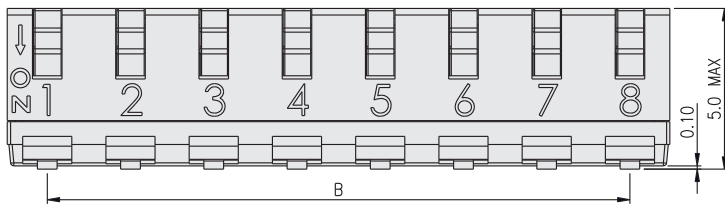
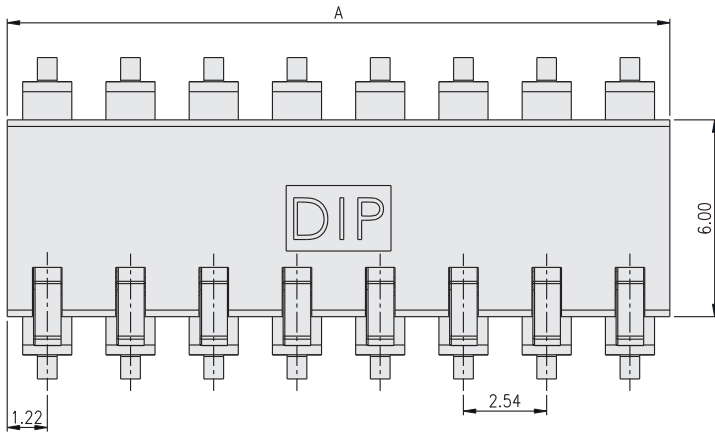


**EPI(R)**



PART NO.	NO.OF POS.	DIM.A	DIM.B
EPI(R)-02	2	4.89	2.54
EPI(R)-04	4	10.06	7.62
EPI(R)-06	6	15.14	12.70
EPI(R)-08	8	20.22	17.78
EPI(R)-10	10	25.30	22.86

EPM(R)



PART NO.	NO. OF POS.	DIM. A	DIM. B
EPM(R)-02	2	4.89	2.54
EPM(R)-04	4	10.06	7.62
EPM(R)-06	6	15.14	12.70
EPM(R)-08	8	20.22	17.78
EPM(R)-10	10	25.30	22.86