

### TTG-EL84PP UL Push-Pull Output Transformer

Toroidal Push-Pull output transformer for tubes 2xEL84 , 2x6V6 (2x6Π6C) , 2x6BQ5 , 6P14P (2x6Π14Π) introduces benefits of toroidal cores to tube output. Through the use of innovative, internationally patented winding technology, we have achieved exceptional electrical parameters, such as flat frequency bandwidth in acoustic range, very low THD distortion and high quality factor.

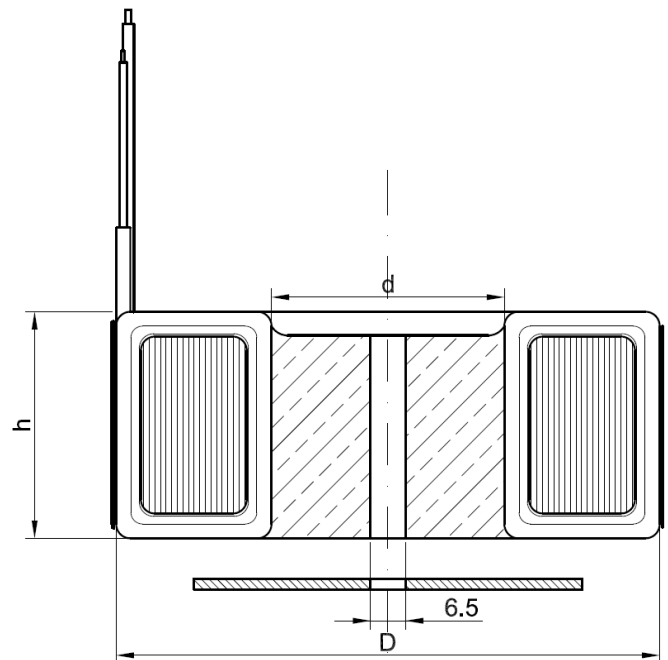
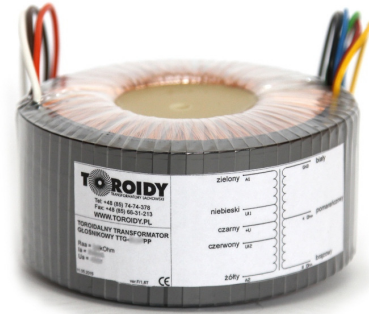
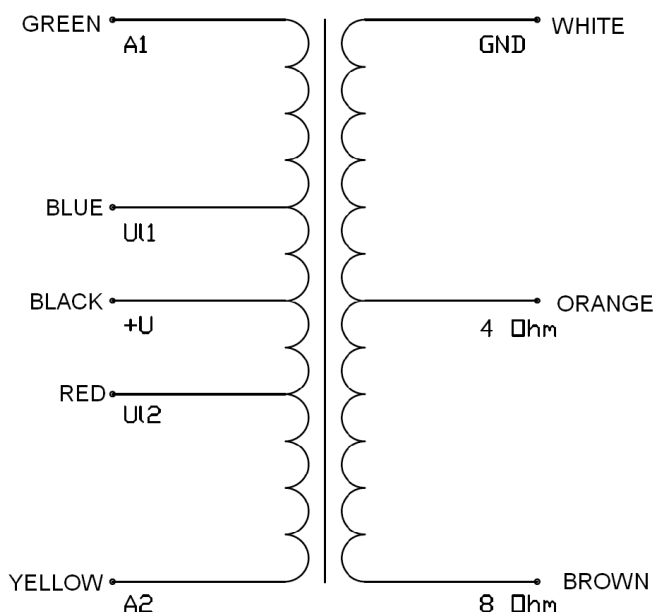
Transformer is also available in stainless steel box potted EXPO version.

#### Technical Data:

Nominal power:	50W
Nominal anode current:	200mA
Frequency bandwidth (-3dB):	8Hz – 58kHz
Secondary inductance:	4 i 8 Ω
Primary Impedance:	8,0 kΩ
Turns Ratio (Np:Ns):	44,72:1(4Ω) , 31,62:1 (8Ω)
Primary Inductance Lp:	404H
Primary Leakage Inductance Lsp:	4,33mH
Total Primary DC Resistance:	61,3 Ω

Core type:	Toroidal
Intended for:	Push-Pull, 43% UL

#### Wiring diagram:



#### DIMENSIONS:

Outer diameter (D):	115mm
Inner diameter (d):	40mm
Height (h):	65mm
Weight:	2,5 kg
Leads length:	250mm