




## Product information ELST 412 FA

Industrial Connecting Solutions:Archive - Industrial Connectors:Circular Connectors E-series M12 / M12 push-pull (Archive):with screw locking:Appliance socket for front panel mounting (circuit board):ELST 412 FA

<http://www.e-catalog.beldensolutions.com/link/57078-24228-62529-24256-24257-24274-36836/en/conf/uistate>

Name	ELST 412 FA
	
	Appliance connector for flange mounting, with flat gasket
<b>Delivery informations</b>	
Availability	no longer available
<b>Product description</b>	
Description	Appliance connector for flange mounting, with flat gasket
Type	ELST 412 FA
Order No.	932 328-206
Type of contact	male
Number of contacts	4
Standard	IEC 61076-2-101 (Ed. 1)/ IEC 60947-5-2
Housing Color	grey
<b>Technical data</b>	
Pin dimensions	1 mm
Rated voltage	AC/DC 150 V
Rated current	4 A
Type of termination	solder, hollow pins
Suitable cables	max. 0.5 mm <sup>2</sup>
<b>Material</b>	
Contact material	Cu Zn
Contact surface material	Sn
Contact bearer material	PA
Housing material	PA
O-Ring	NBR
<b>Environmental conditions</b>	
Protection class (IEC 60529)	IP 68
Pollution severity	3
Temperature range	-25 °C to +90 °C
<b>Inflammability class</b>	
Contact bearer	94 V-2
<b>Approvals</b>	
UL	UL
<b>Packing unit</b>	
Packaging unit	100 pieces
<b>Scope of delivery and accessories</b>	
Accessories to order separately	protective cap M12 VS, order no. 734 209-100



# HIRSCHMANN

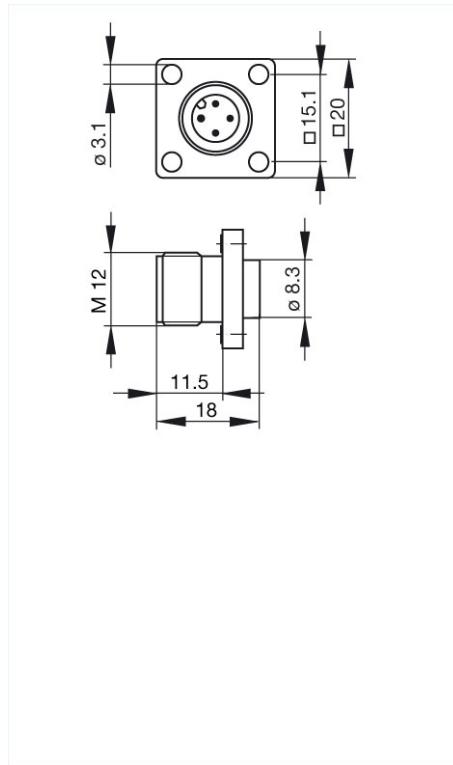
A BELDEN BRAND

Industrial Connecting Solutions:Archive - Industrial Connectors:Circular Connectors E-series M12 / M12 push-pull (Archive):with screw locking:Appliance socket for front panel mounting (circuit board):ELST 412 FA

<http://www.e-catalog.beldensolutions.com/link/57078-24228-62529-24256-24257-24274-36836/en/conf/uistate>

Picture

Drawing



#### Belden Deutschland GmbH

Im Gewerbepark 2  
58579 Schalksmühle  
Germany  
Phone: +49 7127/14-1806  
E-Mail: [icos-sales@belden.com](mailto:icos-sales@belden.com)

The information published in the websites has been compiled as carefully as possible. It is subject to alteration without notice in technical as well as in price-related/commercial respect. The complete information and data were available on user documentation. Mandatory information can only be obtained by a concrete query.