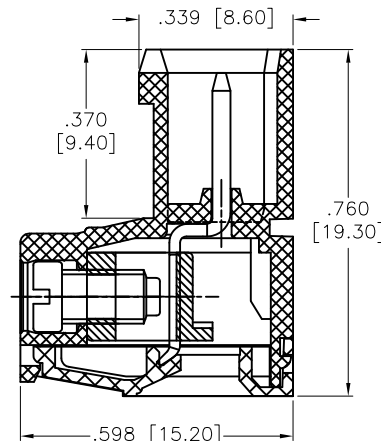
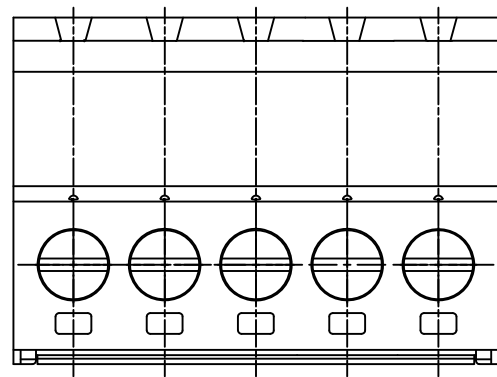
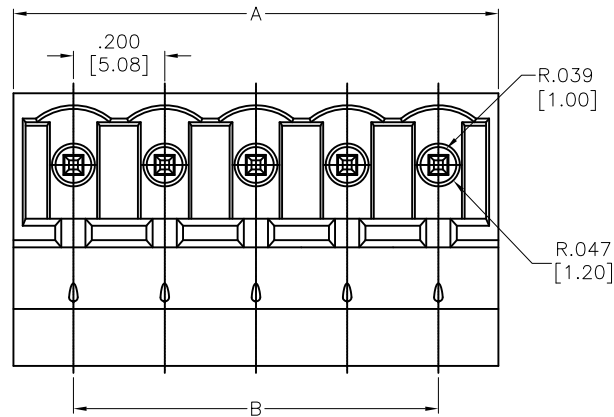


APPROVED: _____
 DATE: _____ TITLE: _____

Rev	AWO #	Description	Date	Appr
-		RELEASED	3/23/15	
A		UPDATED SPEC.	3/27/15	HR/OC
B		UPDATED SPEC.	11/10/21	WX/EY



SPECIFICATIONS:

Material:
 Insulator: PA66, rated UL 94V-0
 Insulator color: Green
 Contact: Copper Alloy, Tin plated
 Screw: M3
 Electrical:
 Voltage rating: 300 V
 Current rating: 15 Amps
 Dielectric withstanding voltage: 1,600 VAC for 1 minute
 Mechanical:
 Wire Range: 28-12AWG,
 Torque: 0.5N-m
 Wire strip length: 7-8mm
 Temperature Rating:
 Operating temperature: -40°C to +105°C



Positions: 2 thru 24

A = .200 [5.08] x No. of Positions + .063 [1.60]

B = .200 [5.08] x No. of Spaces

UNLESS OTHERWISE SPECIFIED ALL DIMENSIONS ARE INCHES [MM]. TOLERANCES: EXCEPT AS NOTED			
INCHES		HOLES	
.X	± .10	ØX	± .10
.XX	± .020	ØXX	± .015
.XXX	± .015	ØXXX	± .010



909 Rahway Avenue,
 Union, NJ 07083
 Phone: 908-687-5000
 Fax: 908-687-5710

DRAWN	HR	3/23/15
CHECKED	GC	3/23/15
APPROVED		

TITLE		
EURO BLOCK, .200 [5.08] PITCH		

THIS DRAWING CONTAINS INFORMATION THAT IS PROPRIETARY AND SHOULD NOT BE USED WITHOUT PRIOR WRITTEN PERMISSION FROM ADAM TECH

SIZE	PART NO.	REV.
X	EB86A-XX-D	B
REF: S00067C	SCALE: NTS	SHEET 1 OF 1