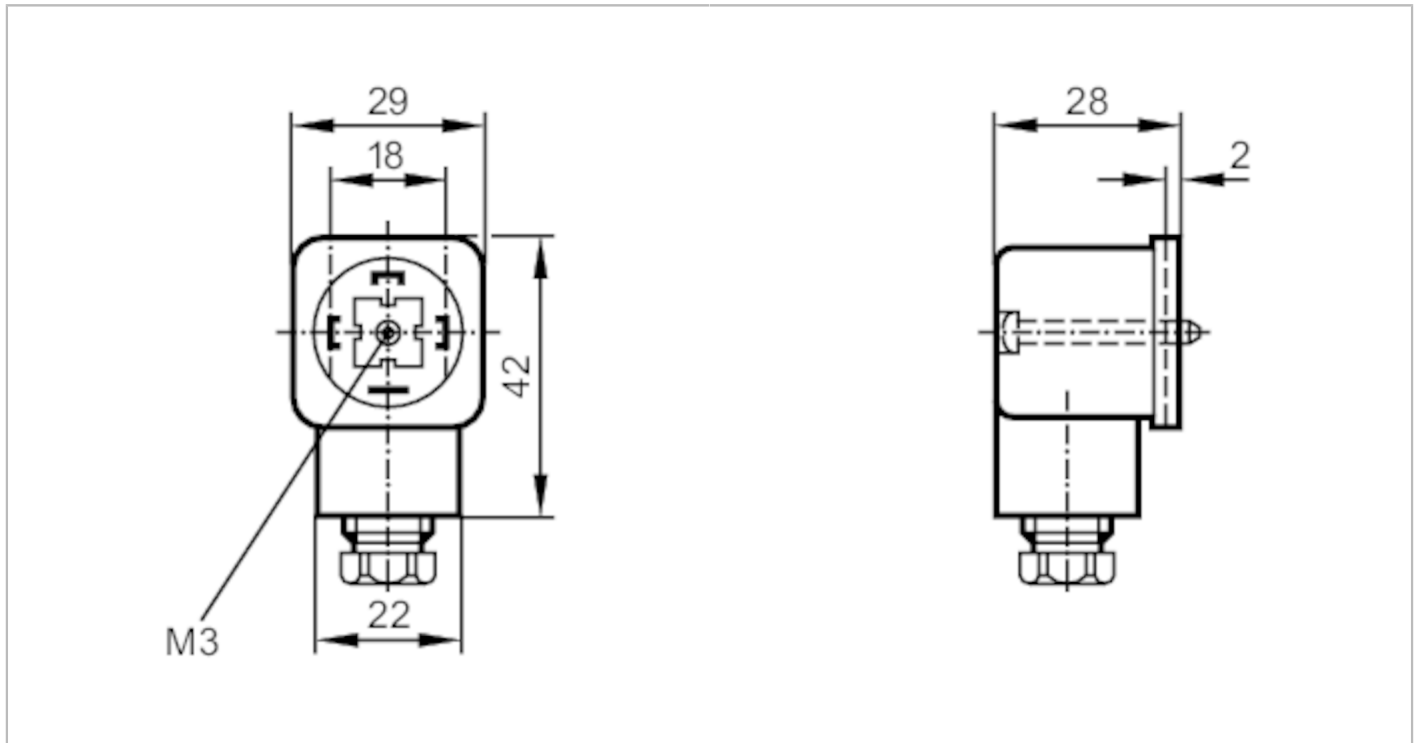


E10058

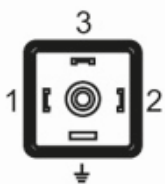


Wirable valve connector

VALVE PLUG TYPE A



Application	
Free from silicone	yes
Electrical data	
Operating voltage [V]	< 45 AC / < 70 DC
Max. current load total [A]	16
Operating conditions	
Ambient temperature [°C]	-40...125
Protection	IP 65
Mechanical data	
Weight [g]	27.9
Dimensions [mm]	42 x 29 x 28
Materials	PA
Remarks	
Pack quantity	1 pcs.
Electrical connection	
terminals: ...1.5 mm ² ; Cable sheath: Ø6...8 mm	



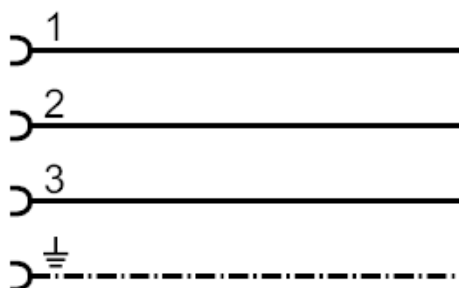
E10058



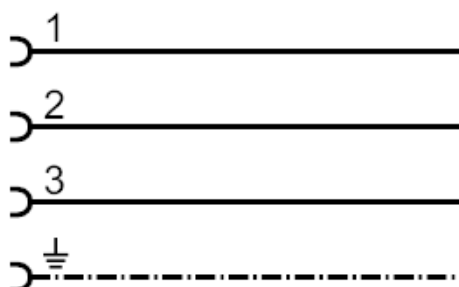
Wirable valve connector

VALVE PLUG TYPE A

Connection



Connection



Electrical connection - socket

Connector: 1 x valve type A DIN, angled; Moulded body: PA