

E0909W2E-2155-CN

- premium quality plug type 9 V power supply

FEATURES:

- compact design
- high power output
- premium class design
- safe and reliable power source
- high efficiency ErP Ecodesign and Energy Star Level VI compliance
- no load power consumption 0.090 W

APPLICATIONS:

- consumer electronics
- IT/office equipment
- general purpose
- computer devices
- home and building automation
- security and monitoring systems
- POS, POI equipment
- telecommunications equipment



E0909W2E-2155-CN is a compact and efficient 9-watt wall-mounted style plug type power unit for various types of electronic devices. It is based on high quality electronic components that allow continuous, long-lasting work in all conditions. It is reliable, fully protected and stable. It provides high efficiency and excellent specification.

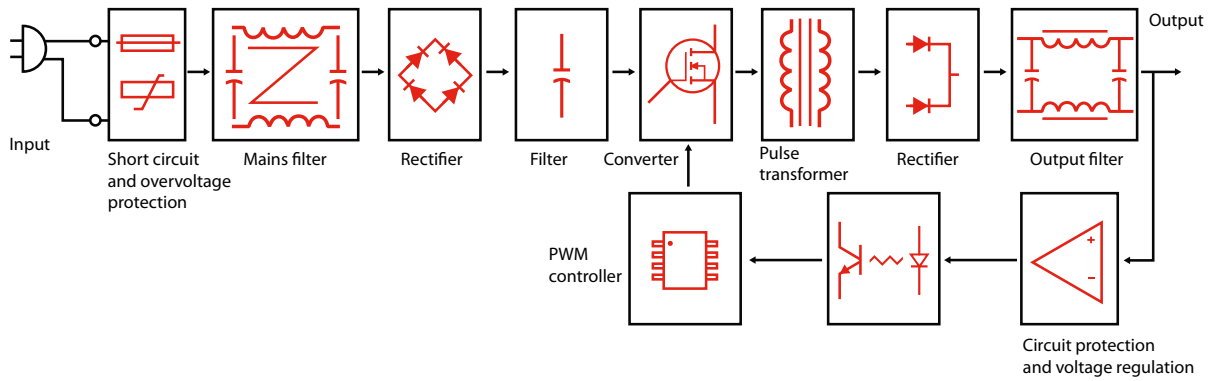
TECHNICAL SPECIFICATION

| Group | Parameter | Value | Conditions |
|---------------------------|------------------------------------|------------------------------|--------------------------------|
| Input | Rated input voltage | 100-240 VAC | |
| | Input voltage range | 90-264 VAC | |
| | Mains frequency range | 47-63 Hz | |
| | AC current (max.) | 0.4 A | At 100 VAC and full load |
| | Inrush current (max.) | 60 A | |
| | No load power consumption | 0.090 W | |
| | Input leakage current (max.) | 0.2 mA | At 264 VAC |
| | Power factor | 0.45 | |
| Output | Rated output voltage | 9 V | |
| | Rated output power | 9 W | |
| | Rated output current | 1 A | |
| | Average efficiency | 81.3% | At 230 VAC |
| | Light load efficiency | 76% | At 10% rated load |
| | Efficiency compliance | Energy Star Level VI, ErP | |
| | Line regulation | ±3% | |
| | Load regulation | ±3% | |
| | Ripple and noise | 120 mVp-p | At 100 VAC |
| | Minimal output current | No | |
| | Hold up time (max.) | 3 ms | At 100 VAC and full load |
| | DC voltage rise time (max.) | 80 ms | At 100 VAC and full load |
| Turn on delay time (max.) | 1 s | At 100 VAC and full load | |
| Environmental | Working temperature | -10 to +40°C | |
| | Working humidity | 5% to 95% RH | 40°C |
| | Storage temperature | -40°C to +85°C | |
| | Cooling method | Free air circulation | |
| Protection | Short circuit | Yes | |
| | Overcurrent | Yes, 115-140% | |
| | Output overvoltage | Yes, 16 V | |
| | Automatic recovery on fault remove | Yes | |
| Safety and EMC | Withstand isolation voltage | 3 kVAC (input to output) | 5 mA, 1 min |
| | Isolation resistance | 100 MΩ | 500 VDC |
| | Isolation class | 2 | |
| | Safety compliance | EN62368 | |
| | EMC compliance | EN55032 class B EN61000-4 | |
| | Marking | RoHS, CE | |
| Mechanical and features | Enclosure | Black ABS plastic | |
| | Size | 56 × 28 × 42 mm | L × W × H |
| | Weight | 72 g | |
| | Output connector | DC Jack 2.1 × 5.5 × 10 mm | Minus in the middle |
| | Input connector | EU 2-pole plug | |
| | Output cable | 1.5 m | 0.205 mm ² (AWG 24) |
| | Single package | 85 × 81 × 29 mm | |
| | Packing | 472 × 310 × 290 mm | 159 items |
| | Warranty | 2 years | |

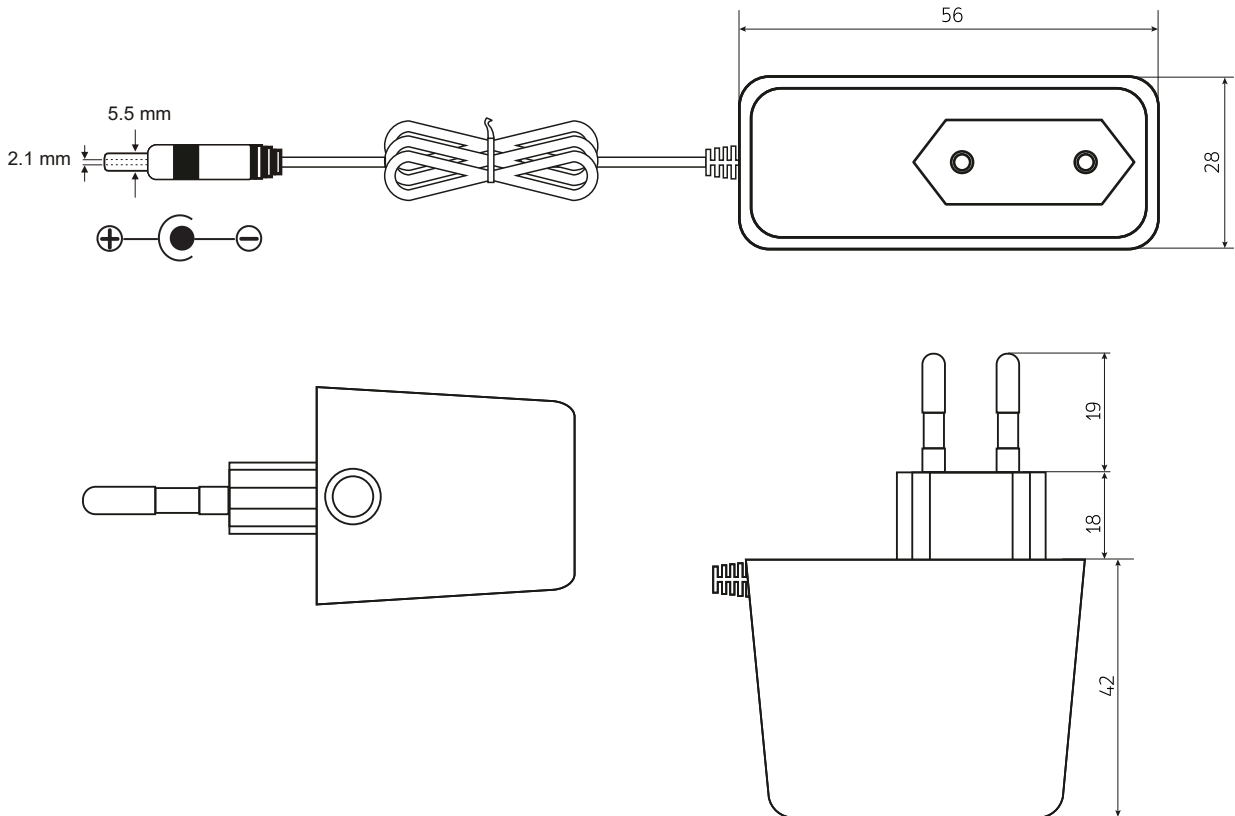
Notes:

Unless otherwise stated, all parameters are specified at 230 VAC input voltage, 50 Hz, ambient temperature 25°C and relative humidity 70% for rated load output. The values of parameters related to the output voltage regulation is measured from low to high line or for load changes from 0 to 100%, respectively. The power supply is considered as an independent unit, but the final equipment still need to reconfirm that the whole system complies with the EMC directives. If the PSU is installed in the final device as a subassembly, the tests should be repeated to verify that the system has been met compliance. Detailed technical data are available on request.

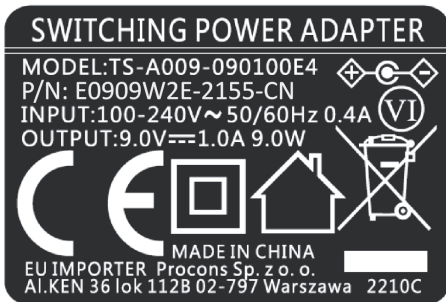
BLOCK DIAGRAM



MECHANICAL SPECIFICATION



PRODUCT LABEL



Legend to the label icons:

- - II safety class: no grounding is required, no dangerous voltage even in an emergency situation will appear on output
- 🏠 - power supply intended for indoor use only
- VI - high efficiency and low no load power consumption, meeting the requirements of Energy Star Compliance Level 6 and ErP
- ⊕ ⊖ - polarization: minus in the middle, plus outside
- ♻️ - the product must not be disposed of in normal waste containers

MARKING SYSTEM

E0909W2E-2155-CN

- Mains plug **W2E**
- Rated output voltage **9 V**
- Output power **9 W**
- Family **PRO**