

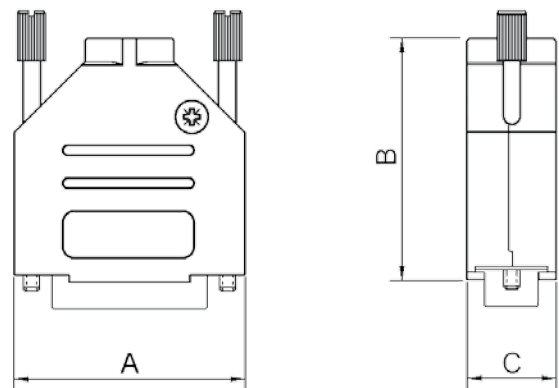
D-Sub Full Metal, Top cable entry with Metalized Grommet Set

TECHNICAL SPECIFICATIONS

Material: Zinc, Nickel Plated
 Operating Temperature: -40°C to +120°C
 Cable Entry: Top Entry
 Thumbscrews: UNC 4-40 (Standard)
 M2,5 or M3 on request
 Cable O.D: Up to 11,5mm

Features:

- Available in sizes 9-15-25-37
- Excellent EMI Shielding
- Re-openable
- Strain relief inserts ensure a secure termination
- Full Metal Jackscrew as standard.
- Available with black capped Jackscrews on request



Grommet Sizes DTZK:

Size 9-15-25-37

Size DTZK	Dim A	Dim B	Dim C
9-way	31,0	39,5	15,0
15-way	39,5	41,5	15,0
25-way	53,5	48,5	15,0
37-way	71,0	53,0	15,0

Ordering information:

Size:	P/N - Kitted:	Product Code:
9-way	6560-0705-01	DTZK09-HI-K
15-way	6560-0705-02	DTZK15-HI-K
25-way	6560-0705-03	DTZK25-HI-K
37-way	6560-0705-04	DTZK37-HI-K

Size:	P/N - BULK:	Product Code:
9-way	6561-0705-01	DTZK09-HI
15-way	6561-0705-02	DTZK15-HI
25-way	6561-0705-03	DTZK25-HI
37-way	6561-0705-04	DTZK37-HI