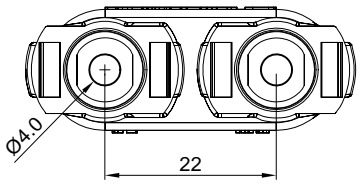
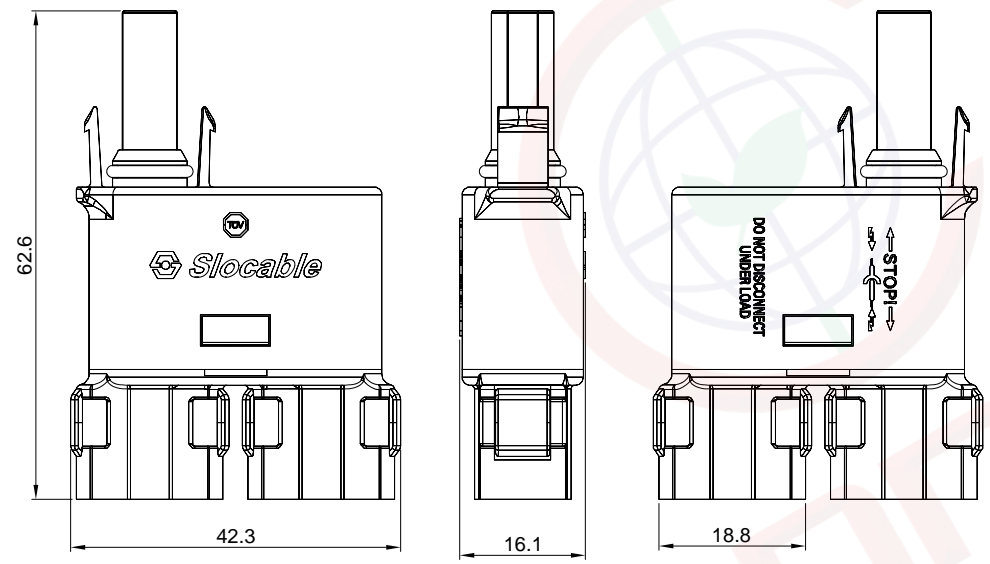
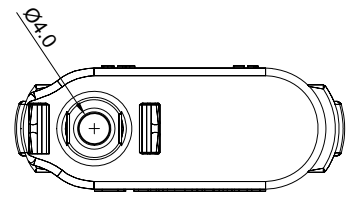


Dept	
Qty	
DC	1
ED	1
IE	1
ISO	1
PD	1
R&D	1
SD	1
QA	1
QC	1
QE	1

The information provided herein is from CONNELY Electronic Co., Ltd. and is confidential. Any disclosure to a party other than the recipient is prohibited. The intellectual properties and its rights contained herein, including but not limited to, trademarks, patents, copyrights, trade secrets, and technical know-how, are owned exclusively by CONNELY or its affiliates. Unauthorized use or reproduction of any part of this document without the prior written permission of CONNELY may result in legal action. CONNELY may enforce its intellectual property rights at its own discretion, failures or delays to exercise such rights does not constitute a waiver of such rights.

REV.	DESCRIPTION	DRAWN	CHECKED	APPROVED
A	NEW RELEASE	JLZ 05/30/23'		



(Series Image-Reference Only)

- Notes:
Specifications:
- Contact Resistance: 5mΩ Max.
 - Insulation Resistance: 1000MΩ Min.
 - Test voltage: 8kV(50Hz,1min).
 - Current Rating:40A.
 - Voltage Rating:1500V DC.
 - Degree of protection: IP2X/IP68
 - Safety class: II
 - Overvoltage category: CATIII
 - Insertion force: 50N Max.
 - Withdrawal force: 50N Min.
 - Temperature: -40°C~+85°C.

- Materials:
- Insulating material: PPE,Black.
 - Waterproof Plug: Silicone rubber,Salmon.
 - Contact material: Copper alloy,Tin plated.

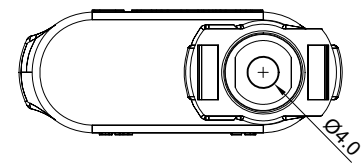
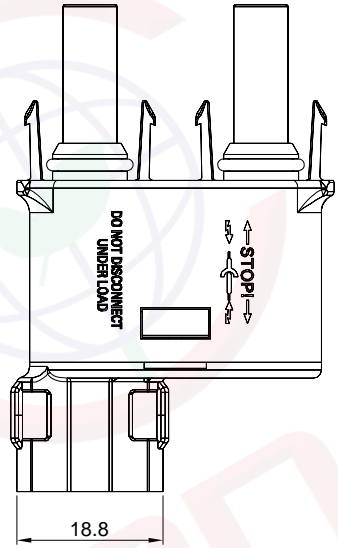
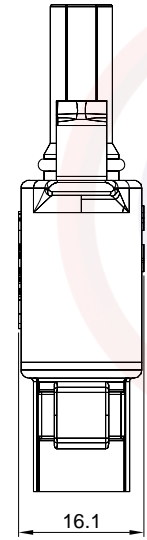
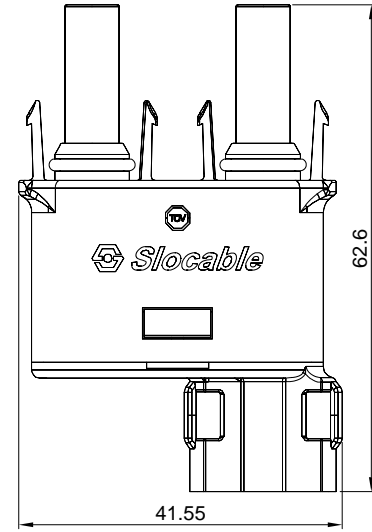
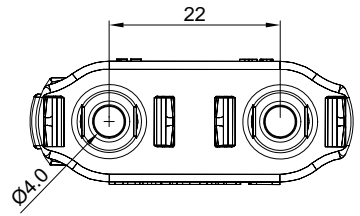
Product Number Code:
DS1162-14 - X X X X X

- Packing Type
P: Polybag
- Contact plating
6: Tin
- Housing color
B: Black
- Connector type
A: Adaptor
- No. of contacts
1F2M: 1Female+2Male

GENERAL TOLERANCE		ANGLE TOLERANCE		PROJECTION		TITLE	
X.	±0.60	X.	±5°	UNITS	mm	Solar Adapter 1 To 2 Type	
.X	±0.38	.X	±3°	SHEET SIZE	A4	SERIES	DS1162-14 SERIES
.XX	±0.25	.XX	±2°	晨翔电子有限公司 CONNFLY CONNELY ELECTRONIC CO. LTD			
DRAWING TYPE		CUSTOMER					
SCALE	1:1	SHEET	1 OF 2				
DRAWING NO.		C-DS1162-14-XXXXX-A					

Dept	
Qty	
DC	1
ED	1
IE	1
ISO	1
PD	1
R&D	1
SD	1
QA	1
QC	1
QE	1

REV.	DESCRIPTION	DRAWN	CHECKED	APPROVED
A	NEW RELEASE	JLZ 05/30/23'		



(Series Image-Reference Only)

Notes:

Specifications:

- Contact Resistance: 5mΩ Max.
- Insulation Resistance: 1000MΩ Min.
- Test voltage: 8kV(50Hz,1min).
- Current Rating:40A.
- Voltage Rating:1500V DC.
- Degree of protection: IP2X/IP68
- Safety class: II
- Overtoltage category: CATIII
- Insertion force: 50N Max.
- Withdrawal force: 50N Min.
- Temperature: -40°C~+85°C.

Materials:

- Insulating material: PPE,Black.
- Waterproof Plug: Silicone rubber,Salmon.
- Contact material: Copper alloy,Tin plated.

Product Number Code:

DS1162-14 - X X X X X

- Packing Type
P: Polybag
- Contact plating
6: Tin
- Housing color
B: Black
- Connector type
A: Adaptor
- No. of contacts
1M2F: 1Male+2Female

GENERAL TOLERANCE		ANGLE TOLERANCE		PROJECTION		TITLE	
X.	±0.60	X.	±5°	UNITS	mm	Solar Adapter 1 To 2 Type	
.X	±0.38	.X	±3°	SHEET SIZE	A4	SERIES	DS1162-14 SERIES
.XX	±0.25	.XX	±2°	晨翔电子有限公司 CONFLY CONNFLY ELECTRONIC CO. LTD			
DRAWING TYPE		CUSTOMER					
SCALE	1:1	SHEET	2 OF 2				
DRAWING NO.		C-DS1162-14-XXXXX-A					

The information provided herein is from CONNELY Electronic Co., Ltd. and is confidential. Any disclosure to a party other than the recipient is prohibited. The intellectual properties and its rights contained herein, including but not limited to, trademarks, patents, copyrights, trade secrets, and technical know-how, are owned exclusively by CONNELY or its affiliates. Unauthorized use or reproduction of any part of this document without the prior written permission of CONNELY may result in legal action. CONNELY may enforce its intellectual property rights at its own discretion, failures or delays to exercise such rights does not constitute a waiver of such rights.