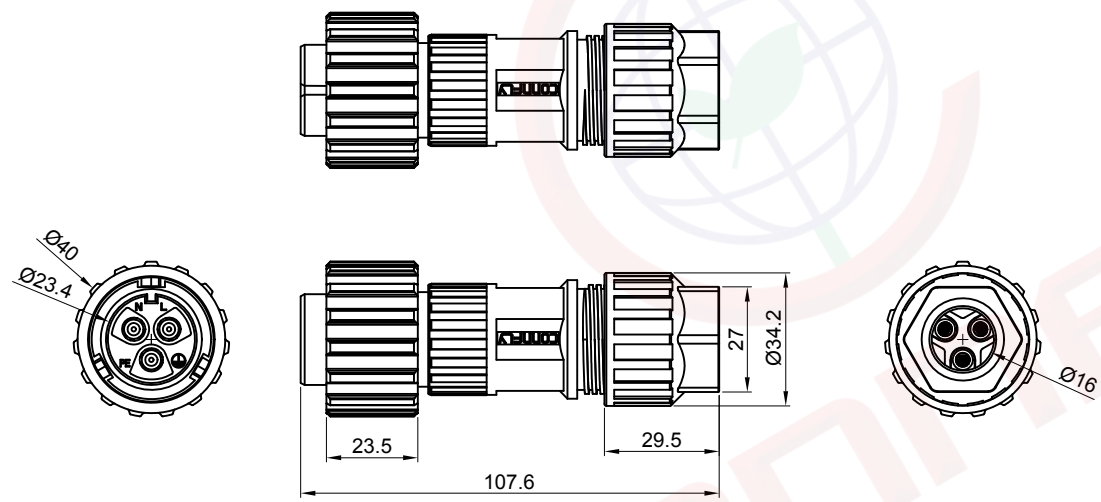


Dept	
Qty	
DC	1
ED	1
IE	1
ISO	1
PD	1
R&D	1
SD	1
QA	1
QC	1
QF	1

The information provided herein is from CONNELY Electronic Co., Ltd. and is confidential. Any disclosure to a party other than the recipient is prohibited. The intellectual properties and its rights contained herein, including but not limited to, trademarks, patents, copyrights, trade secrets, and technical know-how, are owned exclusively by CONNELY or its affiliates. Unauthorized use or reproduction of any part of this document is strictly prohibited. CONNELY reserves the right to make changes to this document without notice. CONNELY may enforce its intellectual property rights at its own discretion, failures or delays to exercise such rights does not constitute a waiver of such rights.

REV.	DESCRIPTION	DRAWN	CHECKED	APPROVED
A	NEW RELEASE	JLZ 05/06/22'		

Notes:  
 Specifications:  
 1. Contact Resistance: 25mΩ Max.  
 2. Insulation Resistance: 1000MΩ Min.  
 3. Dielectric Withstanding Voltage: 1500V AC(rms) For 1 Minute.  
 4. Current Rating:4A.  
 5. Voltage Rating:1000V AC rms.  
 6. Temperature: -40°C~+85°C.  
 Materials:  
 1. Insulating material:Nylon.  
 2. Contact material: Copper Alloy.  
 Product Number Code:



DS1162-03 - X X X X X

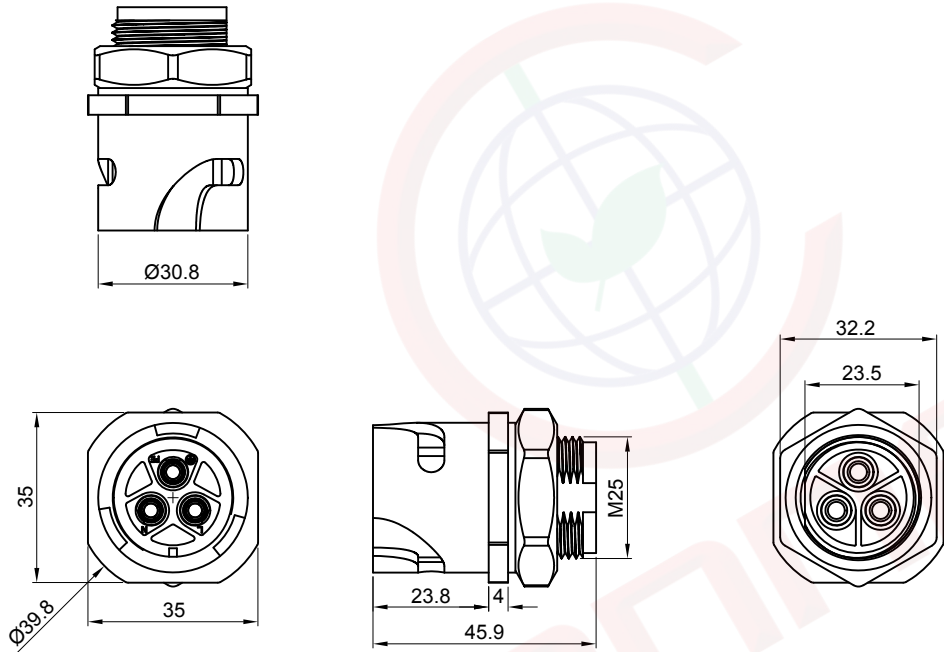
- X X X X X
- Contact plating
- 8: Gold flash
- Housing color
- B: Black
- Mounting type
- W: Soldering type
- Connector type
- M: Male
- No. of contacts
- 3: 3Pin

GENERAL TOLERANCE		ANGLE TOLERANCE		PROJECTION		TITLE	Solar Connectors Wire to Wire Type (Male)	
X.	±0.60	X.	±5°	UNITS	mm			
.X	±0.38	.X	±3°	SHEET SIZE	A4	SERIES	DS1162-03 SERIES	
.XX	±0.25	.XX	±2°	<b>晨翔电子有限公司</b> <b>CONNFLY CONNELY ELECTRONIC CO. LTD</b>				
DRAWING TYPE		CUSTOMER						
SCALE	1:1	SHEET	1 OF 2					
DRAWING NO.		C-DS1162-03-XXXXX-A						

Dept	
Qty	
DC	1
ED	1
IE	1
ISO	1
PD	1
R&D	1
SD	1
QA	1
QC	1
QE	1

The information provided herein is from CONNELY Electronic Co., Ltd. and is confidential. Any disclosure to a party other than the recipient is prohibited. The intellectual properties and its rights contained herein, including but not limited to, trademarks, patents, copyrights, trade secrets, and technical know-how, are owned exclusively by CONNELY or its affiliates. Unauthorized use or reproduction of any part of this document without the prior written consent of CONNELY is strictly prohibited. CONNELY may enforce its intellectual property rights at its own discretion, failures or delays to exercise such rights does not constitute a waiver of such rights.

REV.	DESCRIPTION	DRAWN	CHECKED	APPROVED
A	NEW RELEASE	JLZ 05/06/22'		



Notes:  
 Specifications:  
 1. Contact Resistance: 25mΩ Max.  
 2. Insulation Resistance: 1000MΩ Min.  
 3. Dielectric Withstanding Voltage: 1500V AC(rms) For 1 Minute.  
 4. Current Rating:4A.  
 5. Voltage Rating:1000V AC rms.  
 6. Temperature: -40°C~+85°C.  
 Materials:  
 1. Insulating material:Nylon.  
 2. Contact material: Copper Alloy.  
 Product Number Code:  
 DS1162-03 - X X X X X  
 Contact plating: 8: Gold flash  
 Housing color: B: Black  
 Mounting type: W: Soldering type  
 Connector type: F: Female  
 No. of contacts: 3: 3Pin

GENERAL TOLERANCE		ANGLE TOLERANCE		PROJECTION		TITLE	Solar Connectors Wire to Wire Type (Female)	
X.	±0.60	X.	±5°	UNITS	mm	SERIES	DS1162-03 SERIES	
.X	±0.38	.X	±3°					
.XX	±0.25	.XX	±2°					
DRAWING TYPE		CUSTOMER		<b>晨翔电子有限公司</b> <b>CONNELY ELECTRONIC CO. LTD</b>				
SCALE		1:1	SHEET 2 OF 2					
DRAWING NO.		C-DS1162-03-XXXX-A						