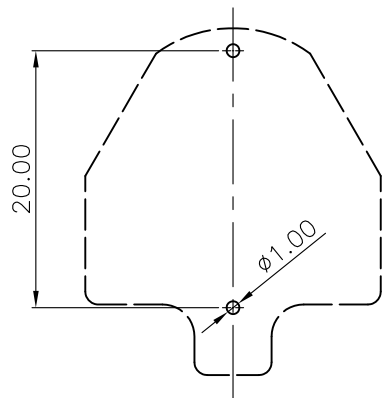
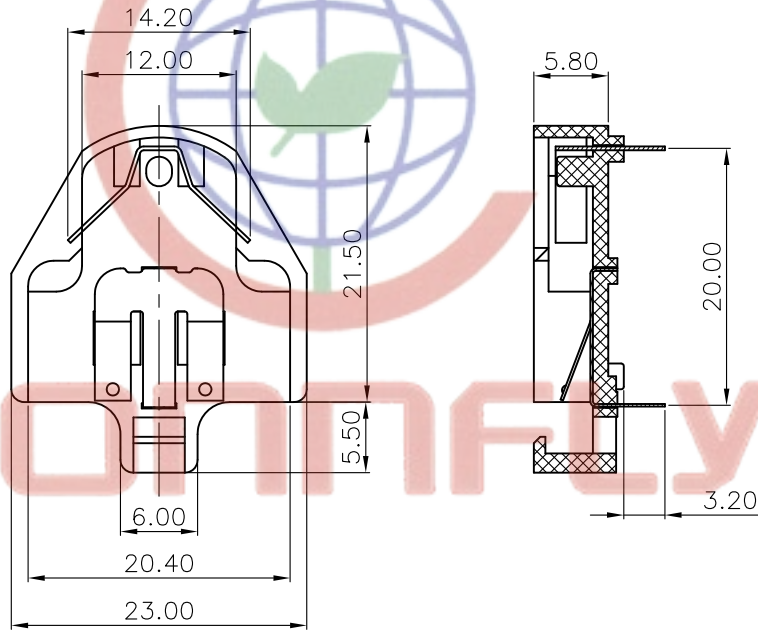


REV.	DESCRIPTION	DRAWN	CHECKED	APPROVED
A	NEW RELEASE	YCH 08/07/12'	~	



Recommend PCB Layout
Tolerance=±0.05

NOTE:

1. Materials:

1.1 Base: Thermoplastic,UL94 V-0,Color of black.
Temp.Range: -40°C to +105°C.

1.2 Positive & Negative Contacts: Copper Alloy.

2. Specification:

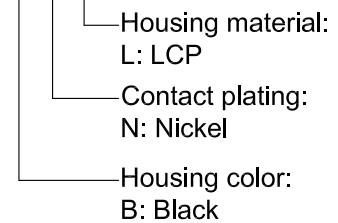
2.1 Dielectric Withstanding Voltage: AC 500V AC.

2.2 Insulation Resistance: 1000MΩ min.

2.3 Contact Resistance: 100mΩ Max.

3. Part Number Code:

DS1092-08 - X X X



Tel:86-574-63508787

Fax:86-574-63510817

E-mail:sale@zhenqin.com.cn

Http://www.connfly.com

GENERAL TOLERANCE		ANGLE TOLERANCE		PROJECTION	UNIT	TITLE		
X.	±0.60	X.	±5°		mm	2032 Lithium Coin Cell Battery Holders Horizontal insert type		
.X	±0.38	.X	±3°			SHEET SIZE	A4	
.XX	±0.25	.XX	±2°			SERIES	DS1092-08 Series	
DRAWING TYPE		CUSTOMER		晨翔电子有限公司 CONNFLY ELECTRONIC CO. LTD				
SCALE		1:1	SHEET					10F1
DRAWING NO.		C-DS1092-08-XXX-A						