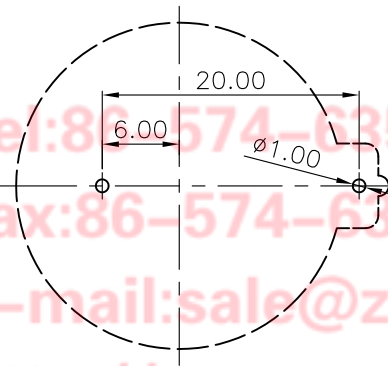
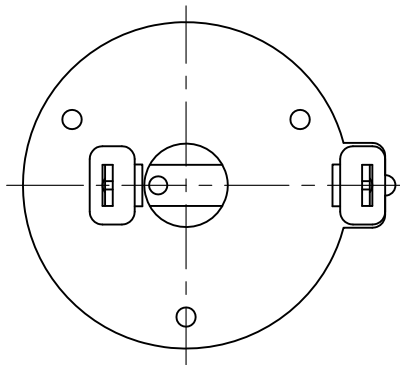
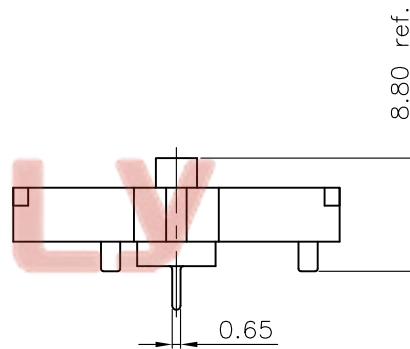
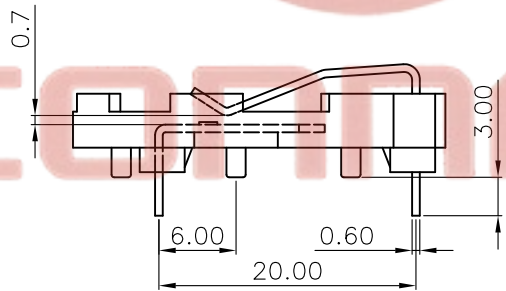
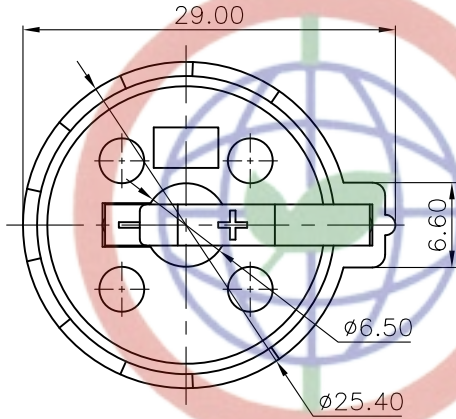


REV.	DESCRIPTION	DRAWN	CHECKED	APPROVED
A	NEW RELEASE	YCH 08/07/12'	~	



NOTE:

1. Materials:

1.1 Base: Thermoplastic, UL94 V-0, Color of black.
Temp. Range: -40°C to +105°C.

1.2 Positive & Negative Contacts: Copper Alloy.

2. Specification:

2.1 Dielectric Withstanding Voltage: AC 500V AC.

2.2 Insulation Resistance: 1000MΩ min.

2.3 Contact Resistance: 100mΩ Max.

3. Part Number Code:

DS1092-03 - X X X

Housing material:

P: PBT

Contact plating:

N: Nickel

Housing color:

B: Black

Tel: 86-574-63508787
 Fax: 86-574-63510817
 E-mail: sale@zhenqin.com.cn
 Http://www.connfly.com

Recommend PCB Layout
 Tolerance=±0.05

GENERAL TOLERANCE		ANGLE TOLERANCE		PROJECTION	UNITS	TITLE
X.	±0.60	X.	±5°		mm	2325 Lithium Coin Cell Battery Holders Horizontal insert type
.X	±0.38	.X	±3°			
.XX	±0.25	.XX	±2°			
DRAWING TYPE		CUSTOMER		SHEET SIZE	A4	SERIES DS1092-03 Series
SCALE		1:1	SHEET		10F1	
DRAWING NO.		C-DS1092-03-XXX-A				



晨翔电子有限公司
CONNFLY CONNFLY ELECTRONIC CO. LTD