

REV.	DESCRIPTION	DRAWN	CHECKED	APPROVED
A	NEW RELEASE	LL 09/25/06'	~	LJC 09/25/06'
B	整理图面	YCH 05/21/08'	~	

NOTES:

- ELECTRICAL CHARACTERISTICS:
  - CONTACT RESISTANCE: 20mΩ Max. INITIAL.
  - DIELECTRIC WITHSTANDING VOLTAGE: 500V AC(rms) FOR 1 MINUTE.
  - INSULATION RESISTANCE: 1000MΩ Min.
- ENVIRONMENT CHARACTERISTICS:
  - OPERATING TEMPERATURE: -40°C~+105°C.
- PRODUCT NUMBER CODE:

DS1077- X X X X X X

SCREW DIM. A  
 S: Standard(W/O nut)  
 1: 5.00  
 2: 3.00  
 3: 5.20  
 4: 4.80  
 5: 5.80  
 6: 4.00

SCREW TYPE  
 S: Standard(W/O nut)  
 1: CC TYPE  
 2: CS TYPE  
 3: BR TYPE  
 4: BRJ TYPE DIM. DIM C: 3~4  
 5: BRJ TYPE DIM. DIM C: 5~6  
 6: BRJ TYPE DIM. DIM C: 3~4  
 (SCREWS IN BULK PACKAGE)

SHELL PLATING  
 T:FORNT & BACK SHELL TIN  
 N:FORNT SHELL NICKEL,BACK SHELL TIN

CONTACT PLATING  
 8: FULL GOLD FLASH  
 0: SELECTIVE GOLD FLASH

HOUSING COLOR  
 B:BLACK  
 W:WHITE  
 U:BLUE

CONNECTOR TYPE  
 M:MALE  
 F:FEMALE

No.OF CONTACTS  
 15 26 44 62 78

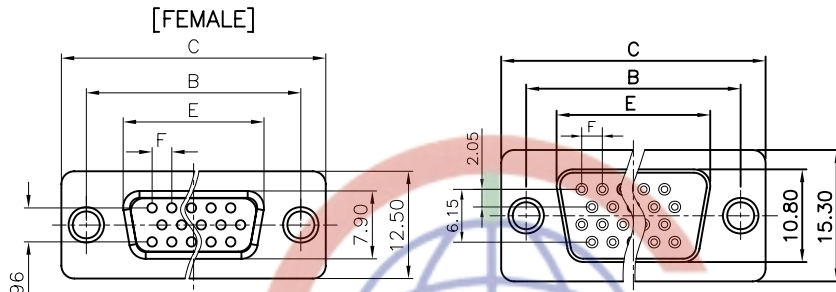
Standard TYPE

CC TYPE

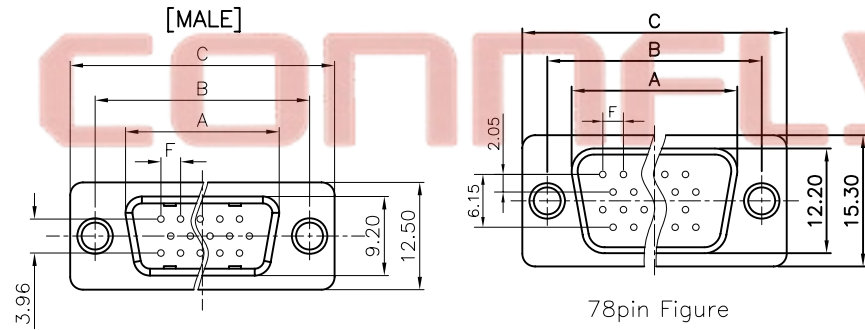
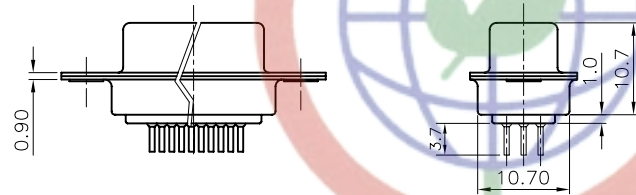
CS TYPE

BR TYPE

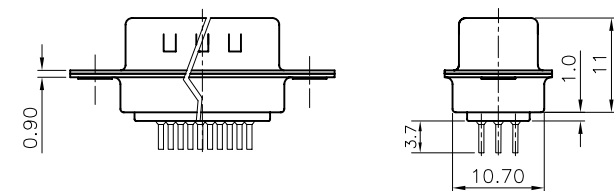
BRJ TYPE



78pin Figure



78pin Figure



Dimension

Position	A	B	C	E	F
15	17.90	24.99	30.80	16.33	2.29
26	26.50	33.32	39.14	24.66	2.29
44	40.00	47.04	53.04	38.38	2.29
62	56.50	63.50	69.32	54.84	2.41
78	54.30	61.00	67.04	52.34	2.41

GENERAL TOLERANCE		ANGLE TOLERANCE		PROJECTION	TITLE
X.	±0.60	X.	±5°		D-SUB H.DIP STRAIGHT TYPE
.X	±0.38	.X	±3°	mm	
.XX	±0.25	.XX	±2°	A4	SHEET SIZE
DRAWING TYPE		CUSTOMER		SERIES DS1077 SERIES	
SCALE		SHEET		1 OF 1	
DRAWING NO.		C-DS1077-XXXXXXX			

晨翔电子有限公司  
**CONNFLY CONNFLY ELECTRONIC CO. LTD**

Tel:86-574-63508787

Fax:86-574-63510817

E-mail:sale@zhenqin.com.cn

Http://www.connfly.com

Add:East Industry Zone,KuangYan

P.C:315333