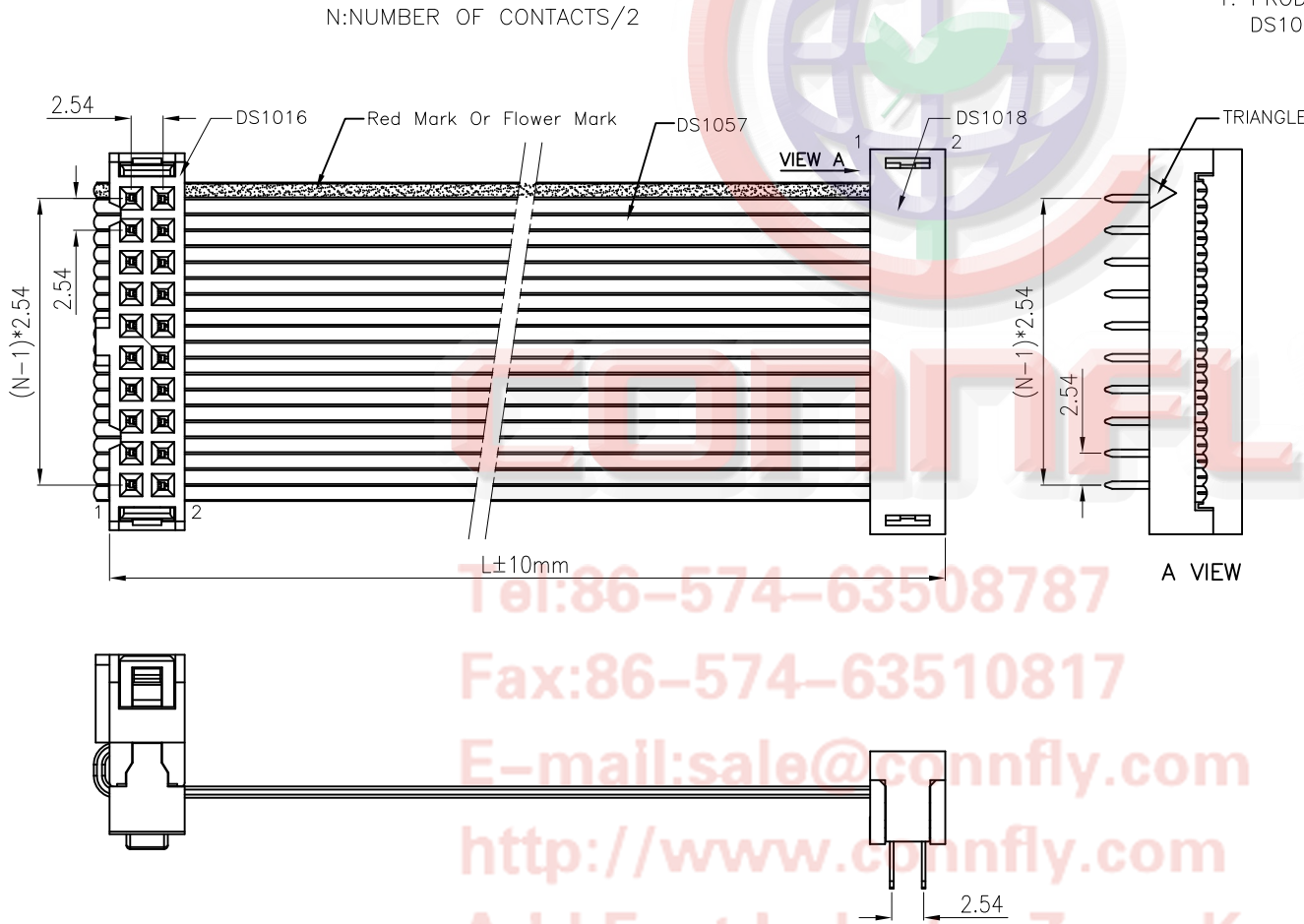


REV.	DESCRIPTION	DRAWN	CHECKED	APPROVED
A	NEW RELEASE	YCH 06/12/07'	~	ljc 06/12/07'
B	更改线长代码	YCH 06/28/13'	~	



1. PRODUCT NUMBER CODE:

DS1052 -XX 1 B X X A X X X

- CABLE STYLE
- 1: TYPE 1
- LENGTH DIM L
- 0114:114mm    0120:120mm
- 0290:290mm    3400:3400mm
- 1500:1500mm    0170:170mm
- 2400:2400mm    0280:280mm
- 0085:85mm      0192:192mm
- 4300:4300mm
- WIRE DIAMETER
- 1:∅0.100 FOLWER MARK
- 2:∅0.127 RED MARK
- 3:∅0.100 RED MARK
- 4:∅0.127 FOLWER MARK
- FLAT CABLE COLOR
- A:GRAY    S:DARK GREY
- STRAIN RELIEF
- M:W/
- N:W/O
- CONTACT PLATING
- 2:GOLD+NICKEL
- 0: { DS1016 GOLD+NICKEL  
      DS1018 SELECTIVE GOLD FLASH
- 8: { DS1016 GOLD+NICKEL  
      DS1018 FULL GOLD FLASH
- S: { DS1016 SELECTIVE GOLD FLASH  
      DS1018 SELECTIVE GOLD FLASH
- HOUSING COLOR
- B:BLACK
- CONNECTOR Q'TY
- 1: 2 CONNECTOR  
(1PCS DS1016 ;1PCS DS1018)
- NO.OF CONTACTS
- 10:10P    20:20P    30:30P    50:50P
- 14:14P    24:24P    34:34P    60:60P
- 16:16P    26:26P    40:40P    64:64P

Tel:86-574-63508787  
 Fax:86-574-63510817  
 E-mail:sale@connfly.com  
 http://www.connfly.com  
 Add:East Industry Zone KuangYan  
 Town Cixi Ningbo China  
 P.C:315333

GENERAL TOLERANCE		ANGLE TOLERANCE	
X.	±15	X.	±3'
.X	±10	.X	±2'
.XX	±5	.XX	±1'
DRAWING TYPE	CUSTOMER		
SCALE	1:1	SHEET	1 OF 1
DRAWING NO.	C-DS1052-XX1XXXXX1		

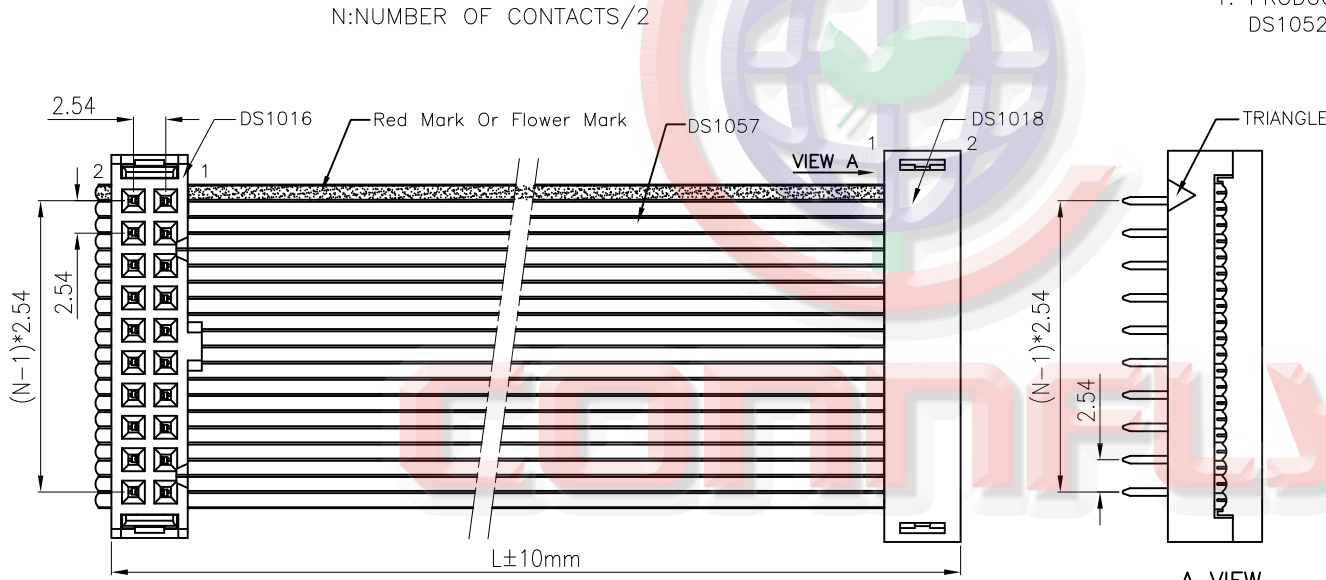
PROJECTION	TITLE
	DS1052 (DS1016,DS1018)
UNITS	mm
SHEET SIZE	A4
SERIES	DS1052 SERIES

**晨翔电子有限公司**  
**CONNFLY CONNFLY ELECTRONIC CO. LTD**

REV.	DESCRIPTION	DRAWN	CHECKED	APPROVED
A	NEW RELEASE	YCH 06/12/07'	~	ljc 06/12/07'
B	更改线长代码	YCH 06/28/13'	~	

1. PRODUCT NUMBER CODE:

DS1052 -XX 1 B X X A X X X



- CABLE STYLE
- 2: TYPE 2
- LENGTH DIM L
 

0114:114mm	0120:120mm
0290:290mm	3400:3400mm
1500:1500mm	0170:170mm
2400:2400mm	0280:280mm
0085:85mm	0200:200mm
4300:4300mm	
- WIRE DIAMETER
  - 1:∅0.100 FOLWER MARK
  - 2:∅0.127 RED MARK
  - 3:∅0.100 RED MARK
  - 4:∅0.127 FOLWER MARK
- FLAT CABLE COLOR
  - A:GRAY S:DARK GREY
- STRAIN RELIEF
  - M:W/
  - N:W/O
- CONTACT PLATING
  - 2:GOLD+NICKEL
  - 0:
    - DS1016 GOLD+NICKEL
    - DS1018 SELECTIVE GOLD FLASH
  - 8:
    - DS1016 GOLD+NICKEL
    - DS1018 FULL GOLD FLASH
  - Si:
    - DS1016 SELECTIVE GOLD FLASH
    - DS1018 SELECTIVE GOLD FLASH
- HOUSING COLOR
  - B:BLACK
- CONNECTOR Q'TY
  - 1: 2 CONNECTOR
  - (1PCS DS1016 ;1PCS DS1018)
- NO.OF CONTACTS
 

10:10P	20:20P	30:30P	50:50P
14:14P	24:24P	34:34P	60:60P
16:16P	26:26P	40:40P	64:64P



Tel:86-574-63508787  
 Fax:86-574-63510817  
 E-mail:sale@connfly.com  
 http://www.connfly.com  
 Add:East Industry Zone KuangYan  
 Town Cixi Ningbo China  
 P.C:315333

GENERAL TOLERANCE		ANGLE TOLERANCE	
X.	±15	X.	±3'
.X	±10	.X	±2'
.XX	±5	.XX	±1'

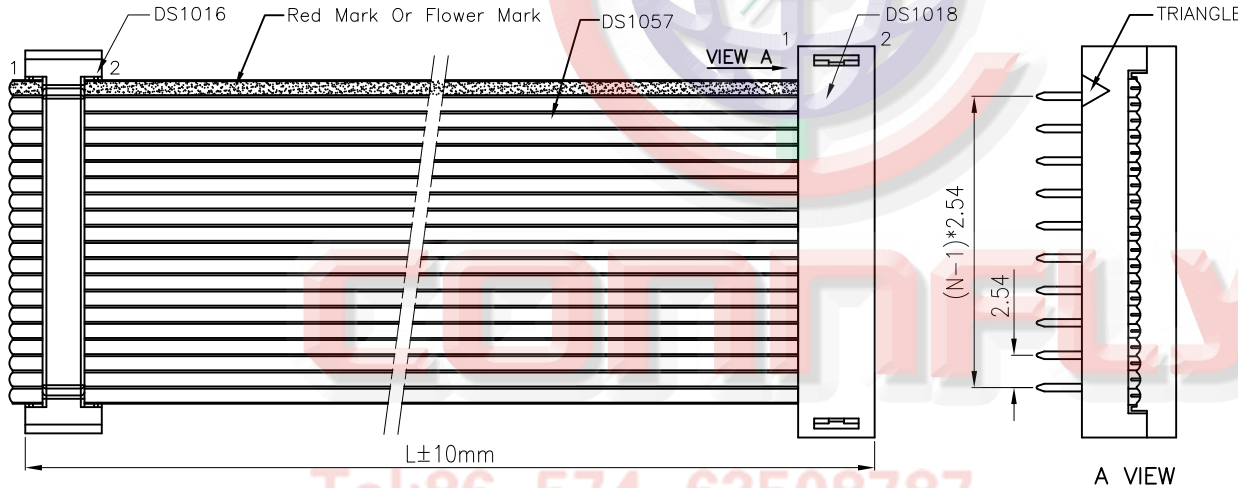
DRAWING TYPE	CUSTOMER		
SCALE	1:1	SHEET	1 OF 1
DRAWING NO.	C-DS1052-XX1XXXXX2		

PROJECTION		TITLE	DS1052 (DS1016,DS1018)
UNITS	mm	SHEET SIZE	A4
SHEET SIZE	A4	SERIES	DS1052 SERIES

**晨翔电子有限公司**  
**CONNFLY CONNFLY ELECTRONIC CO. LTD**

REV.	DESCRIPTION	DRAWN	CHECKED	APPROVED
A	NEW RELEASE	YCH 06/12/07'	~	ljc 06/12/07'
B	更改线长代码	YCH 06/28/13'	~	

N:NUMBER OF CONTACTS/2



1. PRODUCT NUMBER CODE:

DS1052 -XX 1 B X X A X X X

CABLE STYLE

3: TYPE 3

LENGTH DIM L

0114:114mm 0120:120mm

0290:290mm 3400:3400mm

1500:1500mm 0170:170mm

2400:2400mm 0280:280mm

0085:85mm 0130:130mm

4300:4300mm

WIRE DIAMETER

1:∅.100 FOLWER MARK

2:∅.127 RED MARK

3:∅.100 RED MARK

4:∅.127 FOLWER MARK

FLAT CABLE COLOR

A:GRAY S:DARK GREY

STRAIN RELIEF

M:W/

N:W/O

CONTACT PLATING

2:GOLD+NICKEL

0: { DS1016 GOLD+NICKEL

{ DS1018 SELECTIVE GOLD FLASH

8: { DS1016 GOLD+NICKEL

{ DS1018 FULL GOLD FLASH

Si: { DS1016 SELECTIVE GOLD FLASH

{ DS1018 SELECTIVE GOLD FLASH

HOUSING COLOR

B:BLACK

CONNECTOR Q'TY

1: 2 CONNECTOR

(1PCS DS1016 ;1PCS DS1018)

NO.OF CONTACTS

10:10P 20:20P 30:30P 50:50P

14:14P 24:24P 34:34P 60:60P

16:16P 26:26P 40:40P 64:64P

Tel:86-574-63508787

Fax:86-574-63510817

E-mail:sale@connfly.com

http://www.connfly.com

Add:East Industry Zone KuangVan

Town Cixi Ningbo China

P.C:315333

GENERAL TOLERANCE

X. ±15

.X ±10

.XX ±5

ANGLE TOLERANCE

X. ±3'

.X ±2'

.XX ±1'

PROJECTION



TITLE

DS1052 (DS1016,DS1018)

UNITS

mm

SHEET SIZE

A4

SERIES

DS1052 SERIES

DRAWING TYPE

CUSTOMER

SCALE

1:1

SHEET

1 OF 1

DRAWING NO.

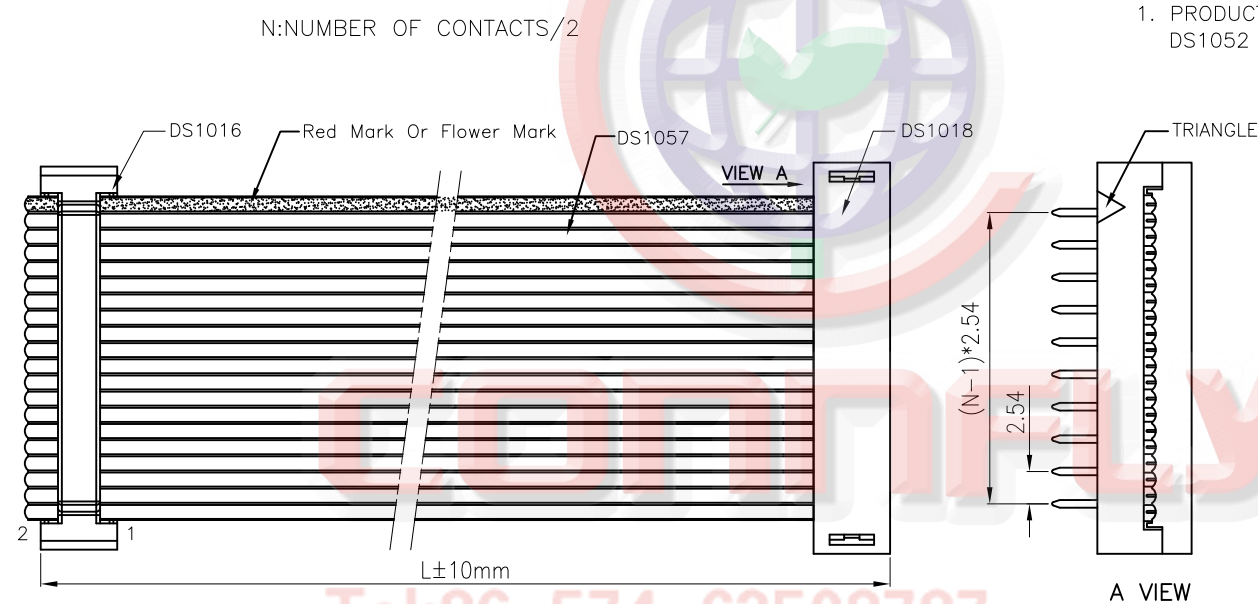
C-DS1052-XX1XXXXXX3



晨翔电子有限公司

CONNFLY CONNFLY ELECTRONIC CO. LTD

REV.	DESCRIPTION	DRAWN	CHECKED	APPROVED
A	NEW RELEASE	YCH 06/12/07'	~	ljc 06/12/07'
B	更改线长代码	YCH 06/28/13'	~	



1. PRODUCT NUMBER CODE:

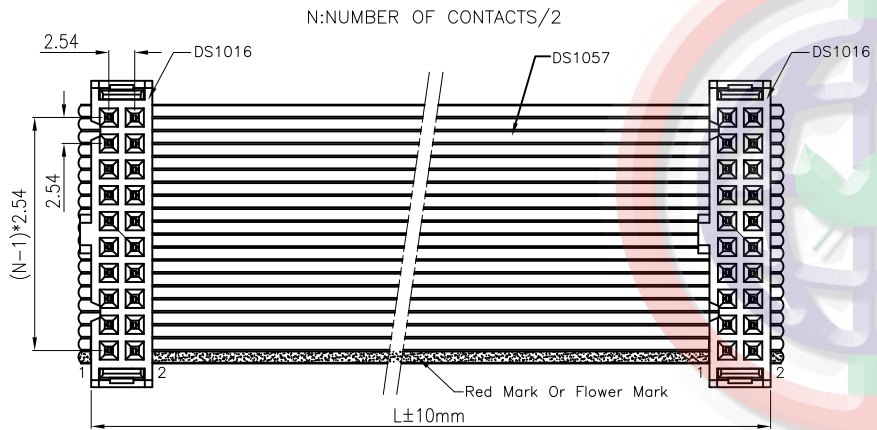
DS1052 -XX 1 B X X A X X X

- CABLE STYLE
- 4: TYPE 4
- LENGTH DIM L
- 0114:114mm    0120:120mm
- 0290:290mm    3400:3400mm
- 1500:1500mm    0170:170mm
- 2400:2400mm    0280:280mm
- 0085:85mm
- 4300:4300mm
- WIRE DIAMETER
- 1:∅.100 FOLWER MARK
- 2:∅.127 RED MARK
- 3:∅.100 RED MARK
- 4:∅.127 FOLWER MARK
- FLAT CABLE COLOR
- A:GRAY    S:DARK GREY
- STRAIN RELIEF
- M:W/
- N:W/O
- CONTACT PLATING
- 2:GOLD+NICKEL
- 0: { DS1016 GOLD+NICKEL  
      DS1018 SELECTIVE GOLD FLASH
- 8: { DS1016 GOLD+NICKEL  
      DS1018 FULL GOLD FLASH
- S: { DS1016 SELECTIVE GOLD FLASH  
      DS1018 SELECTIVE GOLD FLASH
- HOUSING COLOR
- B:BLACK
- CONNECTOR Q'TY
- 1: 2 CONNECTOR  
(1PCS DS1016 ;1PCS DS1018)
- NO.OF CONTACTS
- 10:10P    20:20P    30:30P    50:50P
- 14:14P    24:24P    34:34P    60:60P
- 16:16P    26:26P    40:40P    64:64P

Tel:86-574-63508787  
 Fax:86-574-63510817  
 E-mail:sale@connfly.com  
 http://www.connfly.com  
 Add:East Industry Zone KuangYan  
 Town Cixi Ningbo China  
 P.C:315333

GENERAL TOLERANCE		ANGLE TOLERANCE		PROJECTION		TITLE	DS1052 (DS1016,DS1018)			
X.	±15	X.	±3'	UNITS	mm					
.X	±10	.X	±2'	SHEET SIZE	A4	SERIES	DS1052 SERIES			
.XX	±5	.XX	±1'			晨翔电子有限公司 <b>CONNFLY CONNFLY ELECTRONIC CO. LTD</b>				
DRAWING TYPE		CUSTOMER								
SCALE		1:1		SHEET					1 OF 1	
DRAWING NO.		C-DS1052-XX1XXXXX4								

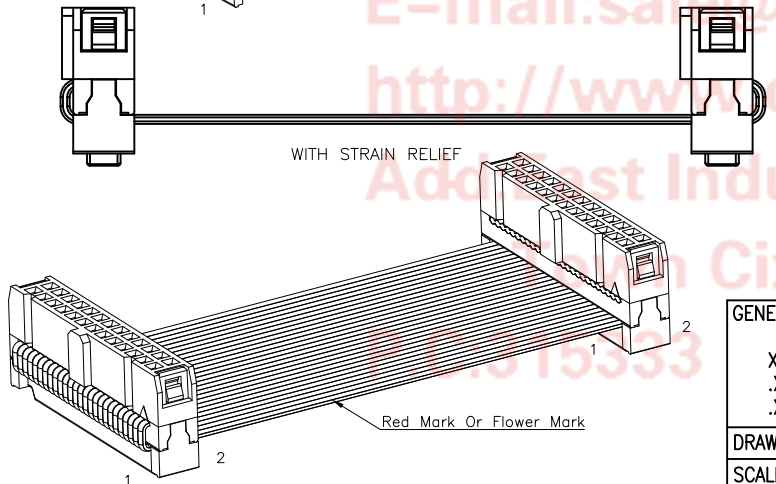
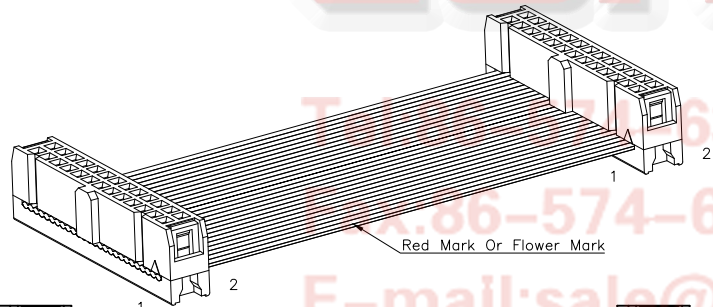
REV.	DESCRIPTION	DRAWN	CHECKED	APPROVED
A	NEW RELEASE	YCH 06/12/07'	~	LJC 06/12/07'
B	增加端子电镀全镀选项	YCH 11/11/08'	~	LJC 11/11/08'
C	增加胶芯颜色“灰”代码	YCH 07/14/10'	~	LJC 07/14/10'
D	更改线长代码	YCH 06/28/13'	~	



1. PRODUCT NUMBER CODE:

DS1052 -XX 2 B X X A X X X

- CABLE STYLE
- 1: TYPE 1
- LENGTH DIM L
- 0072:72mm 0262:262mm 0150:150mm
- 0100:100mm 0432:432mm 1130:1130mm
- 0171:171mm 0412:412mm 1480:1480mm
- 0200:200mm 0037:37mm 0216:216mm
- 0210:210mm 0112:112mm 0080:80mm
- 0300:300mm 0182:182mm 0120:120mm
- 0610:610mm 0362:362mm 0220:220mm
- 0700:700mm 0422:422mm 1000:1000mm
- 0920:920mm 0350:350mm 5000:5000mm
- 0254:254mm 0085:85mm
- 0290:290mm 0070:70mm
- WIRE DIAMETER
- 1:∅0.100 FOLWER MARK
- 2:∅0.127 RED MARK
- 3:∅0.100 RED MARK
- 4:∅0.127 FOLWER MARK
- FLAT CABLE COLOR
- A: GRAY S: DARK GREY
- STRAIN RELIEF
- M: W/
- N: W/O
- CONTACT PLATING
- 2: GOLD+NICKEL
- N: NICKEL
- HOUSING COLOR
- A:GRAY
- B:BLACK
- CONNECTOR Q'TY
- 2: 2 CONNECTOR (2PCS DS1016)
- NO.OF CONTACTS
- 10:10P 30:30P 20:20P 50:50P
- 14:14P 34:34P 24:24P 60:60P
- 16:16P 40:40P 26:26P 64:64P



GENERAL TOLERANCE		ANGLE TOLERANCE	
X.	±15	X.	±3'
.X	±10	.X	±2'
.XX	±5	.XX	±1'
DRAWING TYPE		CUSTOMER	
SCALE		1:1	SHEET 1 OF 1
DRAWING NO.		C-DS1052-XX2XXXXXX1	

PROJECTION	TITLE
	DS1052 (2*DS1016)
UNITS	mm
SHEET SIZE	A4
SERIES	DS1052 SERIES

晨翔电子有限公司  
CONNFLY CONNFLY ELECTRONIC CO. LTD

REV.	DESCRIPTION	DRAWN	CHECKED	APPROVED
A	NEW RELEASE	YCH 06/12/07'	~	LJC 06/12/07'
B	增加端子电镀全镀选项	YCH 11/11/08'	~	LJC 11/11/08'
C	增加胶芯颜色“灰”代码	YCH 07/14/10'	~	LJC 07/14/10'
D	更改线长代码	YCH 06/28/13'	~	

1. PRODUCT NUMBER CODE:

DS1052 -XX 2 B X X A X X X

CABLE STYLE  
2: TYPE 2

LENGTH DIM L  
0072:72mm 0254:254mm  
0100:100mm 0350:350mm  
0171:171mm 0262:262mm  
0200:200mm 0432:432mm  
0210:210mm 0070:70mm  
0300:300mm 0150:150mm  
0610:610mm 1130:1130mm  
0700:700mm 1480:1480mm  
0920:920mm

WIRE DIAMETER  
1:φ0.100 FOLWER MARK  
2:φ0.127 RED MARK  
3:φ0.100 RED MARK  
4:φ0.127 FOLWER MARK

FLAT CABLE COLOR  
A: GRAY S: DARK GREY

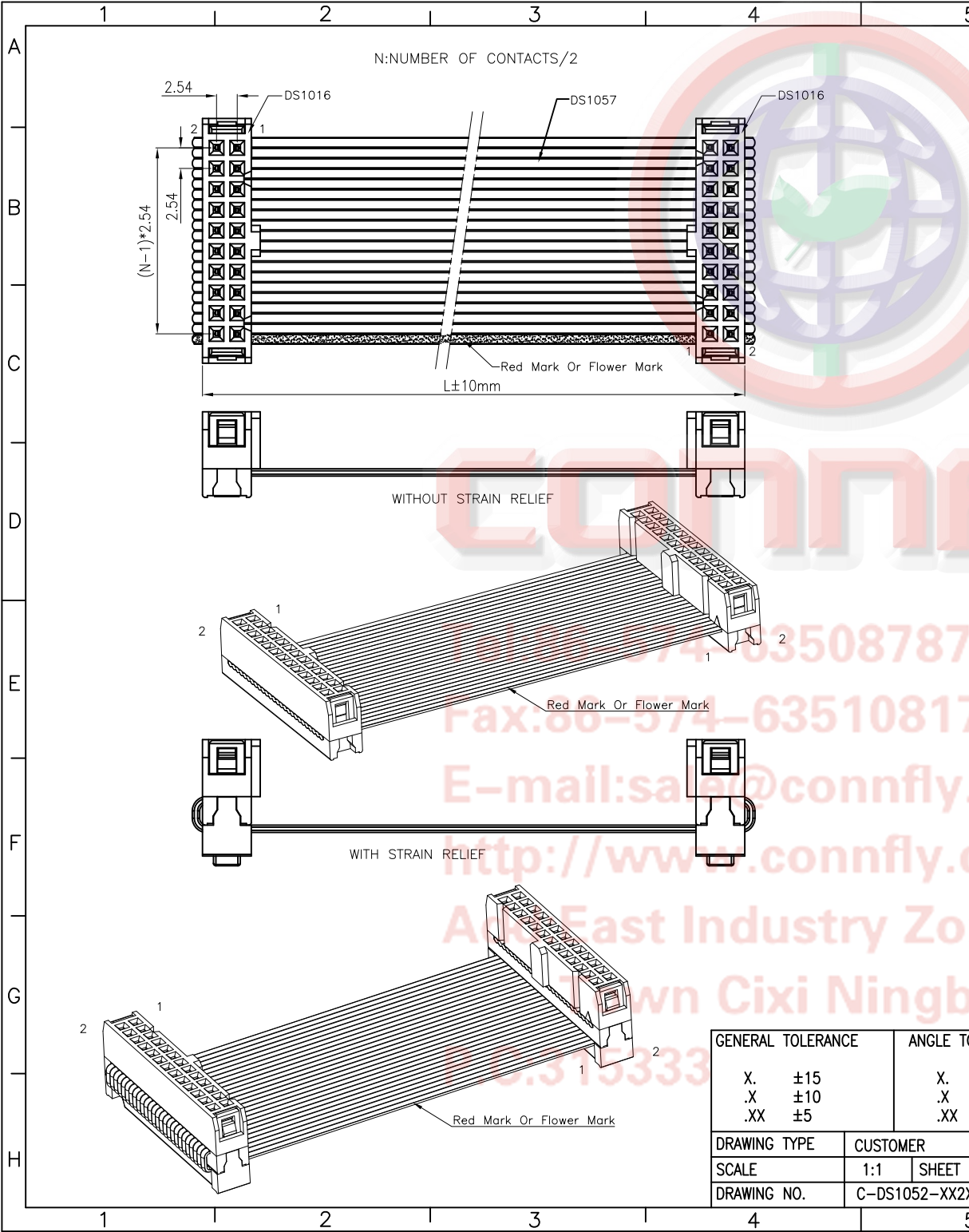
STRAIN RELIEF  
M: W/  
N: W/O

CONTACT PLATING  
2: GOLD+NICKEL  
N: NICKEL

HOUSING COLOR  
A:GRAY  
B:BLACK

CONNECTOR Q'TY  
2: 2 CONNECTOR (2PCS DS1016)

NO.OF CONTACTS  
10:10P 30:30P 20:20P 50:50P  
14:14P 34:34P 24:24P 60:60P  
16:16P 40:40P 26:26P 64:64P



GENERAL TOLERANCE		ANGLE TOLERANCE	
X.	±15	X.	±3'
.X	±10	.X	±2'
.XX	±5	.XX	±1'

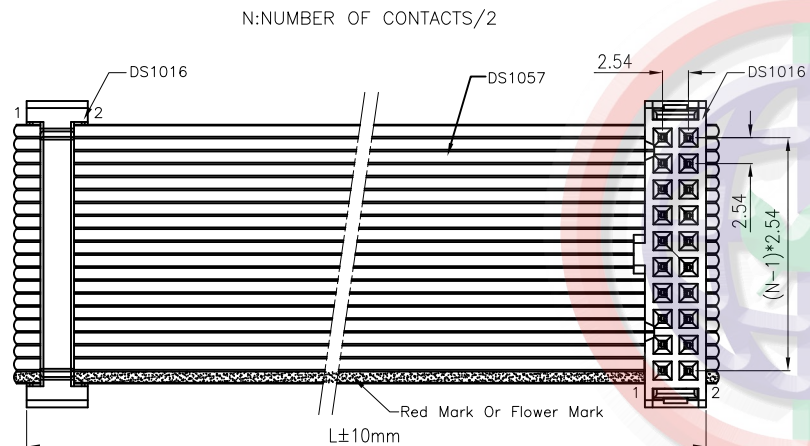
DRAWING TYPE	CUSTOMER		
SCALE	1:1	SHEET	1 OF 1
DRAWING NO.	C-DS1052-XX2XXXXX2		

PROJECTION	TITLE
	DS1052 (2*DS1016)
UNITS	mm
SHEET SIZE	A4
SERIES	DS1052 SERIES

晨翔电子有限公司  
CONNFLY CONNFLY ELECTRONIC CO. LTD

Fax: 86-574-63508787  
E-mail: sales@connfly.com  
http://www.connfly.com  
A: East Industry Zone KuangYan  
Town Cixi Ningbo China  
Tel: 86-574-63510817

REV.	DESCRIPTION	DRAWN	CHECKED	APPROVED
A	NEW RELEASE	YCH 06/12/07'	~	LJC 06/12/07'
B	增加端子电镀全镀选项	YCH 11/11/08'	~	LJC 11/11/08'
C	增加胶芯颜色“灰”代码	YCH 07/14/10'	~	LJC 07/14/10'
D	更改线长代码	YCH 06/28/13'	~	

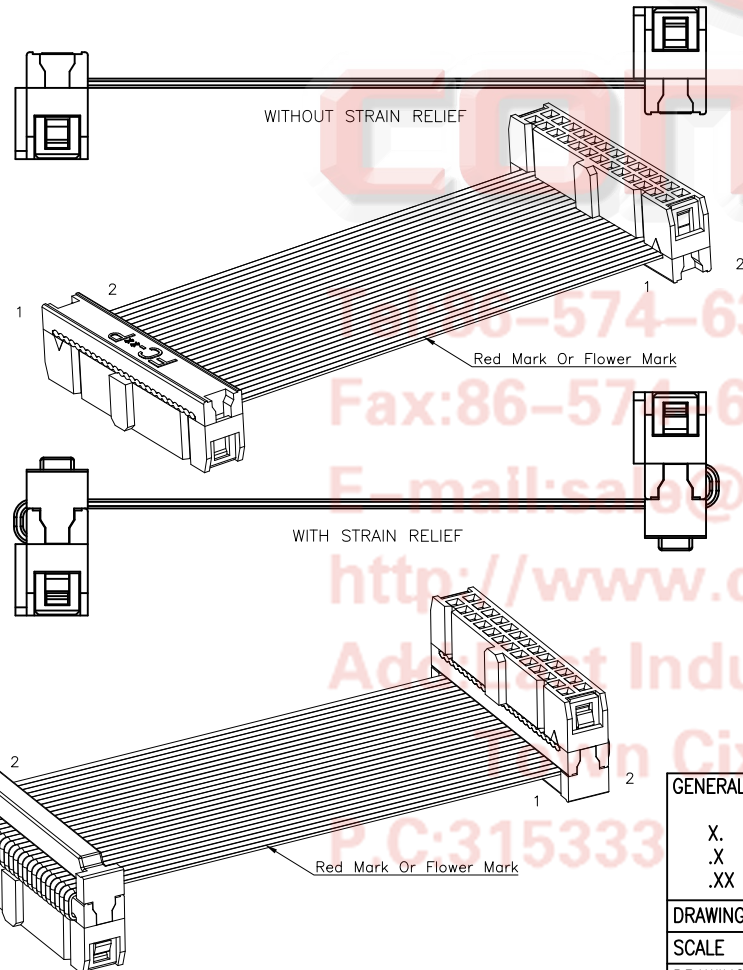


1. PRODUCT NUMBER CODE:

- DS1052 -XX 2 B X X A X X X
- CABLE STYLE
  - 3: TYPE 3
  - LENGTH DIM L
 


0072:72mm	0254:254mm
0100:100mm	0350:350mm
0171:171mm	0262:262mm
0200:200mm	0432:432mm
0210:210mm	
0300:300mm	
0610:610mm	
0700:700mm	
0920:920mm	
  - WIRE DIAMETER
    - 1:∅0.100 FOLWER MARK
    - 2:∅0.127 RED MARK
    - 3:∅0.100 RED MARK
    - 4:∅0.127 FOLWER MARK
  - FLAT CABLE COLOR
    - A: GRAY S:DARK GREY
  - STRAIN RELIEF
    - M: W/
    - N: W/O
  - CONTACT PLATING
    - 2: GOLD+NICKEL
    - N: NICKEL
  - HOUSING COLOR
    - A:GRAY
    - B:BLACK
  - CONNECTOR Q'TY
    - 2: 2 CONNECTOR (2PCS DS1016)
  - NO.OF CONTACTS
 

10:10P	30:30P	20:20P	50:50P
14:14P	34:34P	24:24P	60:60P
16:16P	40:40P	26:26P	64:64P

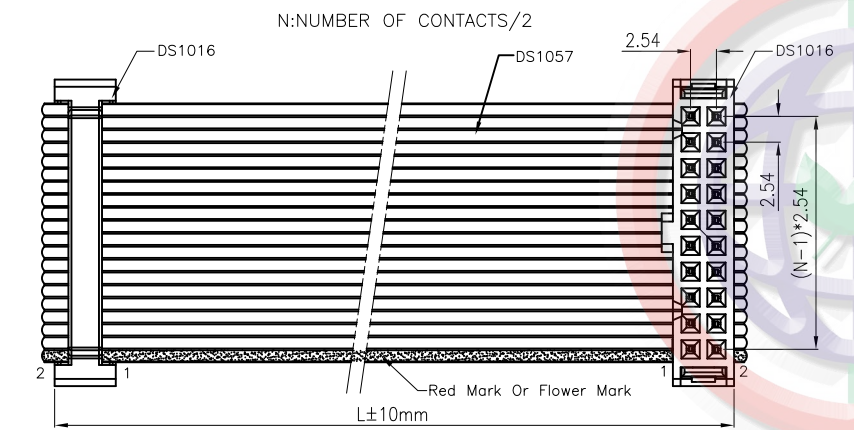


GENERAL TOLERANCE		ANGLE TOLERANCE	
X.	±15	X.	±3'
.X	±10	.X	±2'
.XX	±5	.XX	±1'
DRAWING TYPE		CUSTOMER	
SCALE	1:1	SHEET	1 OF 1
DRAWING NO.	C-DS1052-XX2XXXXXX3		

PROJECTION	TITLE
UNITS	DS1052 (2*DS1016)
SHEET SIZE	SERIES DS1052 SERIES

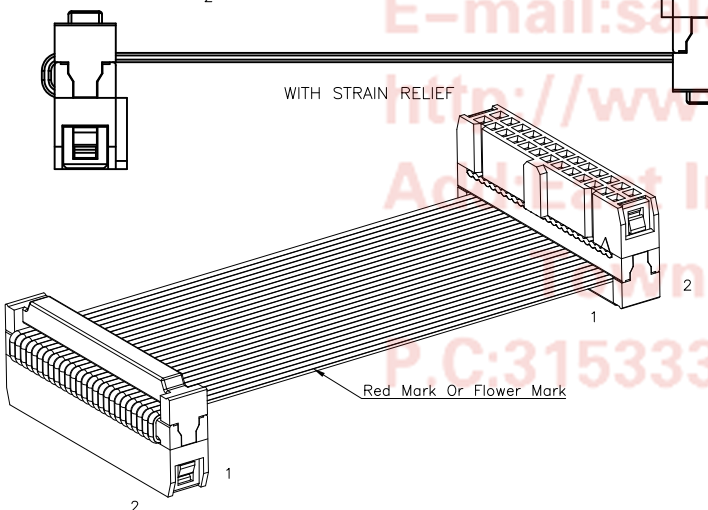
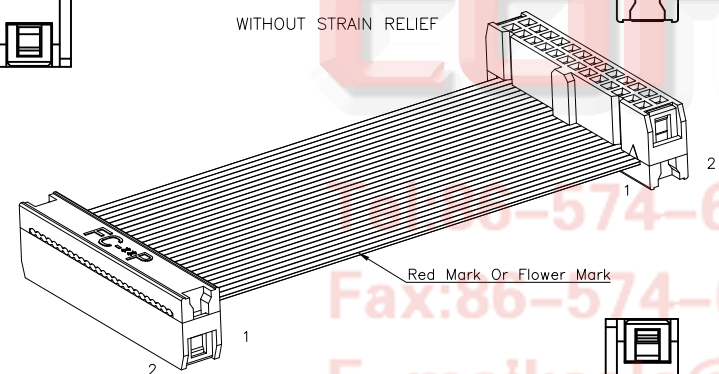
 晨翔电子有限公司  
CONNFLY CONNFLY ELECTRONIC CO. LTD

REV.	DESCRIPTION	DRAWN	CHECKED	APPROVED
A	NEW RELEASE	YCH 06/12/07'	~	LJC 06/12/07'
B	增加端子电镀全镀选项	YCH 11/11/08'	~	LJC 11/11/08'
C	增加胶芯颜色“灰”代码	YCH 07/14/10'	~	LJC 07/14/10'
D	更改线长代码	YCH 06/28/13'	~	



1. PRODUCT NUMBER CODE:

- DS1052 -XX 2 B X X A X X X
- CABLE STYLE
  - 4: TYPE 4
  - LENGTH DIM L
  - 0072:72mm 0254:254mm
  - 0100:100mm 0350:350mm
  - 0171:171mm 0262:262mm
  - 0200:200mm 0432:432mm
  - 0210:210mm 0112:112mm
  - 0300:300mm 0512:512mm
  - 0610:610mm 0190:190mm
  - 0700:700mm
  - 0920:920mm
  - WIRE DIAMETER
  - 1:φ0.100 FOLWER MARK
  - 2:φ0.127 RED MARK
  - 3:φ0.100 RED MARK
  - 4:φ0.127 FOLWER MARK
  - FLAT CABLE COLOR
  - A: GRAY S: DARE GREY
  - STRAIN RELIEF
  - M: W/
  - N: W/O
  - CONTACT PLATING
  - 2: GOLD+NICKEL
  - N: NICKEL
  - HOUSING COLOR
  - A:GRAY
  - B:BLACK
  - CONNECTOR Q'TY
  - 2: 2 CONNECTOR (2PCS DS1016)
  - NO.OF CONTACTS
  - 10:10P 30:30P 20:20P 50:50P
  - 14:14P 34:34P 24:24P 60:60P
  - 16:16P 40:40P 26:26P 64:64P



GENERAL TOLERANCE		ANGLE TOLERANCE	
X.	±15	X.	±3'
.X	±10	.X	±2'
.XX	±5	.XX	±1'
DRAWING TYPE		CUSTOMER	
SCALE	1:1	SHEET	1 OF 1
DRAWING NO.	C-DS1052-XX2XXXXXX4		

PROJECTION	TITLE
	DS1052 (2*DS1016)
UNITS	mm
SHEET SIZE	A4
SERIES	DS1052 SERIES

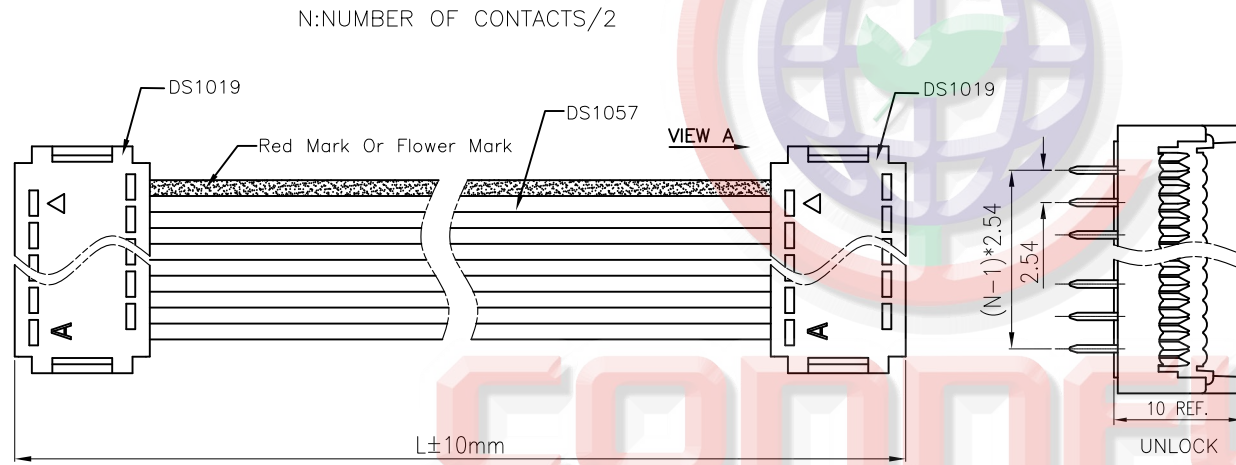
**晨翔电子有限公司**  
**CONNFLY CONNFLY ELECTRONIC CO. LTD**

86-574-63508787  
 Fax:86-574-63510817  
 E-mail:sales@connfly.com  
 http://www.connfly.com  
 Add: Industry Zone KuangYan  
 Cixi Ningbo China  
 P.C:315333





REV.	DESCRIPTION	DRAWN	CHECKED	APPROVED
A	NEW RELEASE	YCH 06/12/07'	~	ljc 06/12/07'
B	更改线长代码	YCH 06/28/13'	~	



1. PRODUCT NUMBER CODE:

DS1052 -XX 3 B X A X X

LENGTH DIM L  
0125:125mm

WIRE DIAMETER

- 1:∅0.100 FOLWER MARK
- 2:∅0.127 RED MARK
- 3:∅0.100 RED MARK
- 4:∅0.127 FOLWER MARK

FLAT CABLE COLOR

- A:GRAY S:DARK GREY

CONTACT PLATING

- 0:SELECTIVE GOLD FLASH
- 2:GOLD+NICKEL
- 8:ALL GOLD FLASH

HOUSING COLOR

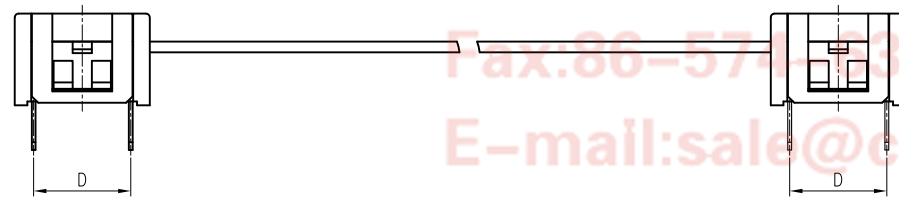
- B:BLACK

CONNECTOR Q'TY

- 3: 2 CONNECTOR (2PCS DS1019)

NO.OF CONTACTS

- 10:10P (Dim D=7.62)
- 14:14P (Dim D=7.62)
- 16:16P (Dim D=7.62)
- 18:18P (Dim D=7.62)
- 20:20P (Dim D=7.62)
- 24:24P (Dim D=15.24)
- 28:28P (Dim D=15.24)
- 40:40P (Dim D=15.24)



Tel:86-574-63508787

Fax:86-574-63510817

E-mail:sale@connfly.com

http://www.connfly.com

Add:East Industry Zone KuangYan

Town Cixi Ningbo China

P.C:315333

GENERAL TOLERANCE		ANGLE TOLERANCE		PROJECTION		TITLE	DS1052 (2*DS1019)	
X.	±15	X.	±3'	UNITS	mm			
.X	±10	.X	±2'	SHEET SIZE	A4	SERIES	DS1052 SERIES	
.XX	±5	.XX	±1'	晨翔电子有限公司 <b>CONNFLY CONNFLY ELECTRONIC CO. LTD</b>				
DRAWING TYPE		CUSTOMER						
SCALE	1:1	SHEET	1 OF 1					
DRAWING NO.		C-DS1052-XX3XXXXX						