

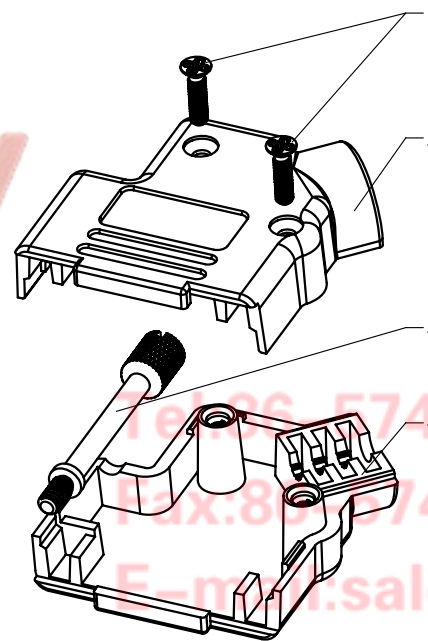
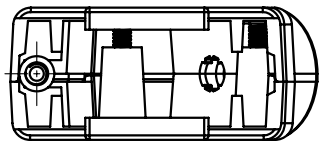
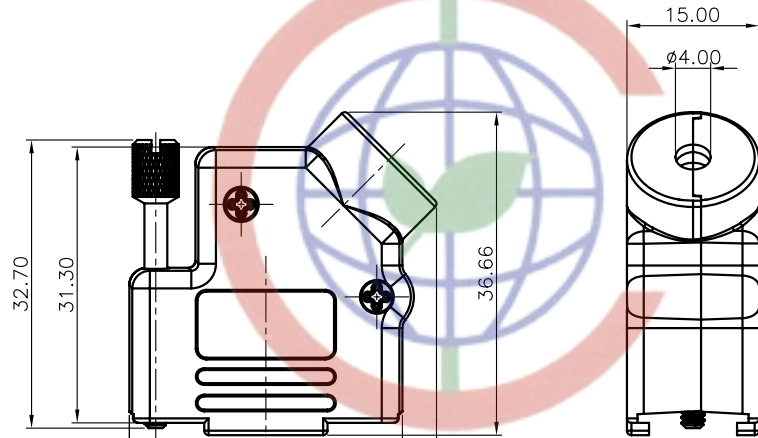
REV.	DESCRIPTION	DRAWN	CHECKED	APPROVED
A	NEW RELEASE	YCH 12/31/09'	~	

NOTES:

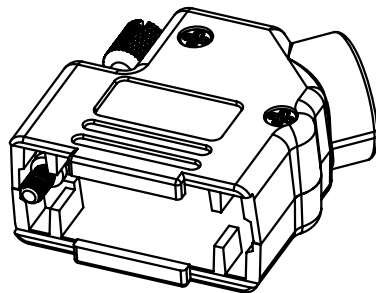
1. PART NUMBER CODE:

DS1047-04 - 09 X X


Packing type
 1: Mix packing
 2: Separation packing
 Cover Material
 M: Metal(Znic alloy)
 Positions
 09: 9pin



BOM LIST			
ITEM	PART NAME	Q'ty	NOTES
1	SCREW	2	M2
2	METAL HOOD-1	1	
3	BOLT	1	UNC#4-40
4	METAL HOOD-2	1	



GENERAL TOLERANCE	ANGLE TOLERANCE	PROJECTION	TITLE	D-SUB 9pin Metal Hoods Large Angled Cable Outlet
X. ±0.60	X. ±5°	UNITS	mm	
.X ±0.38	.X ±3°	SHEET SIZE	A4	SERIES DS1047-04 SERIES
.XX ±0.25	.XX ±2°			
DRAWING TYPE	COSTOMER			
SCALE	1:1	SHEET	1 OF 1	
DRAWING NO.	C-DS1047-04-09XX			

 晨翔电子有限公司
CONNFLY CONNFLY ELECTRONIC CO. LTD

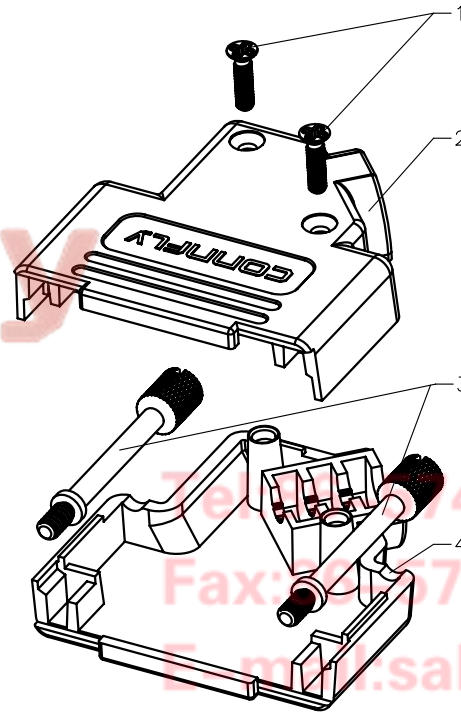
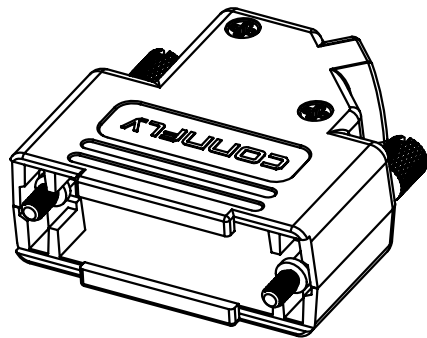
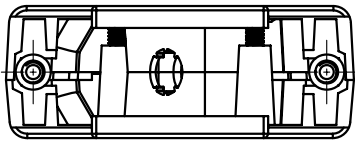
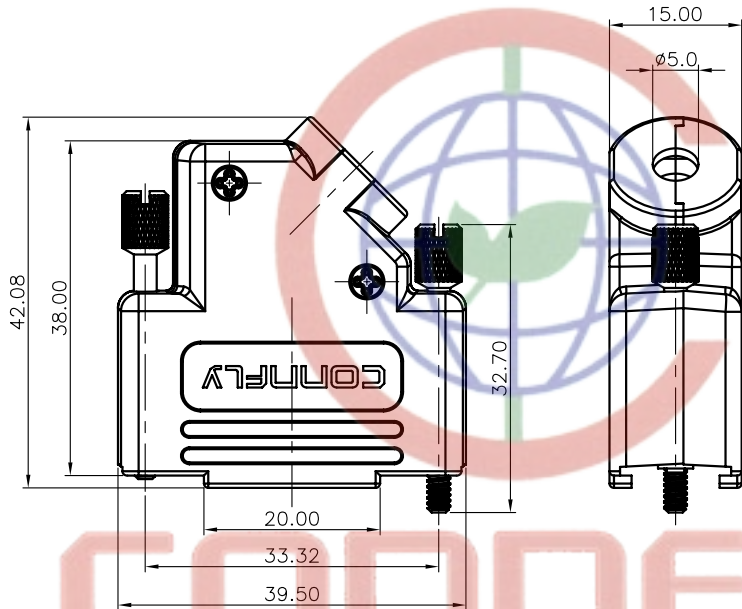
REV.	DESCRIPTION	DRAWN	CHECKED	APPROVED
A	NEW RELEASE	YCH 12/31/09'	~	

NOTES:

1. PART NUMBER CODE:

DS1047-04 - 15 X X

Packing type
 1: Mix packing
 2: Separation packing
 Cover Material
 M: Metal(Znic alloy)
 Positions
 15: 15pin



BOM LIST			
ITEM	PART NAME	Q'ty	NOTES
1	SCREW	2	M2
2	METAL HOOD-1	1	
3	BOLT	2	UNC#4-40
4	METAL HOOD-2	1	

GENERAL TOLERANCE		ANGLE TOLERANCE		PROJECTION		TITLE	D-SUB 15pin Metal Hoods Large Angled Cable Outlet	
X.	±0.60	X.	±5°	UNITS	mm	SHEET SIZE	A4	SERIES DS1047-04 SERIES
.X	±0.38	.X	±3°	晨翔电子有限公司 CONNFLY CONNFLY ELECTRONIC CO. LTD				
.XX	±0.25	.XX	±2°					
DRAWING TYPE		COSTOMER		SCALE 1:1 SHEET 1 OF 1				
DRAWING NO.		C-DS1047-04-15XX						

REV.	DESCRIPTION	DRAWN	CHECKED	APPROVED
A	NEW RELEASE	YCH 12/31/09'	~	

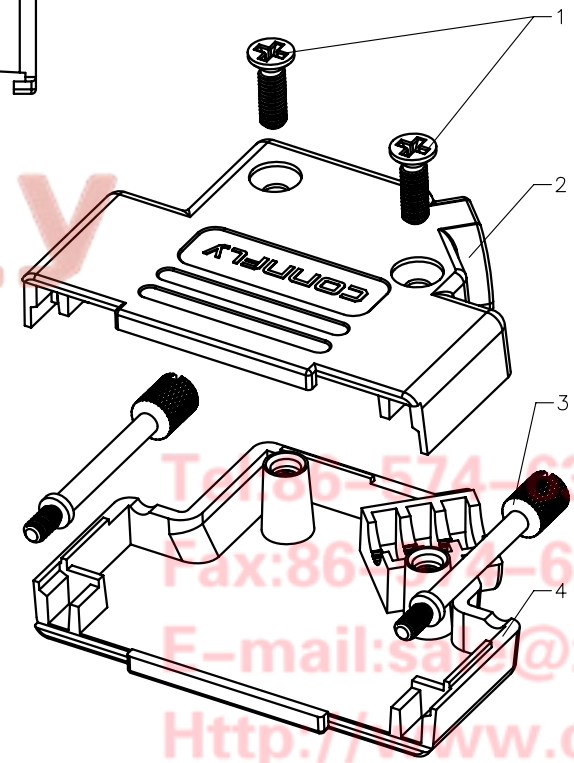
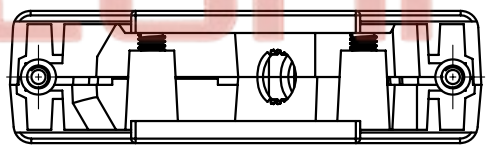
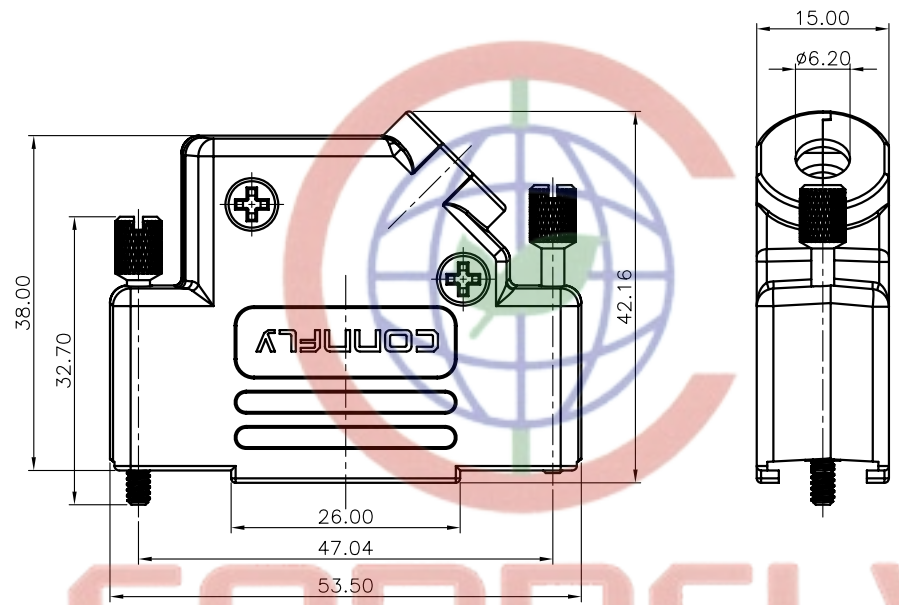
NOTES:

1. PART NUMBER CODE:
DS1047-04 - 25 X X

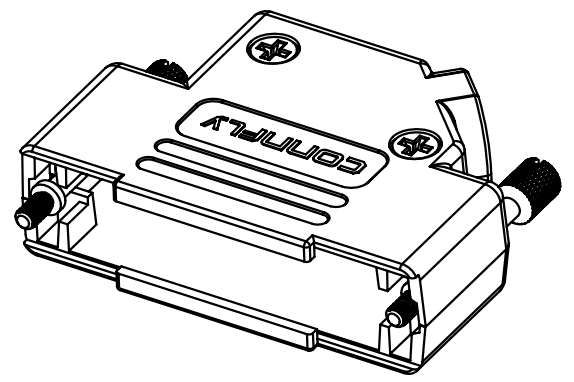
Packing type
1: Mix packing
2: Separation packing

Cover Material
M: Metal(Znic alloy)

Positions
25: 25pin



BOM LIST			
ITEM	PART NAME	Q'ty	NOTES
1	SCREW	2	M3
2	METAL HOOD-1	1	
3	BOLT	2	UNC#4-40
4	METAL HOOD-2	1	



GENERAL TOLERANCE		ANGLE TOLERANCE		PROJECTION		TITLE	D-SUB 25pin Metal Hoods Large Angled Cable Outlet			
X.	±0.60	X.	±5°	UNITS	mm					
.X	±0.38	.X	±3°	SHEET SIZE	A4	SERIES	DS1047-04 SERIES			
.XX	±0.25	.XX	±2°			晨翔电子有限公司 CONNFLY CONNFLY ELECTRONIC CO. LTD				
DRAWING TYPE		COSTOMER								
SCALE		1:1	SHEET	1 OF 1						
DRAWING NO.		C-DS1047-04-25XX								

REV.	DESCRIPTION	DRAWN	CHECKED	APPROVED
A	NEW RELEASE	YCH 12/31/09'	~	

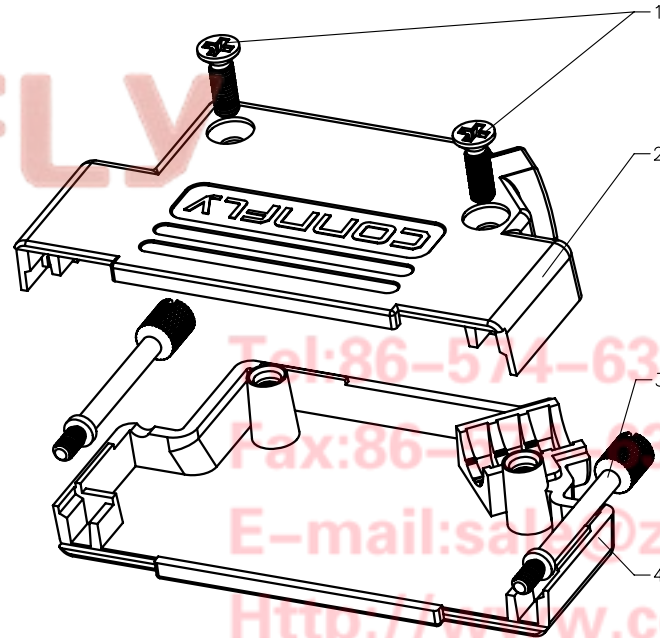
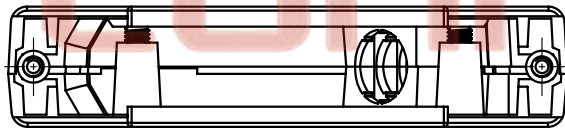
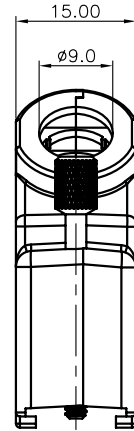
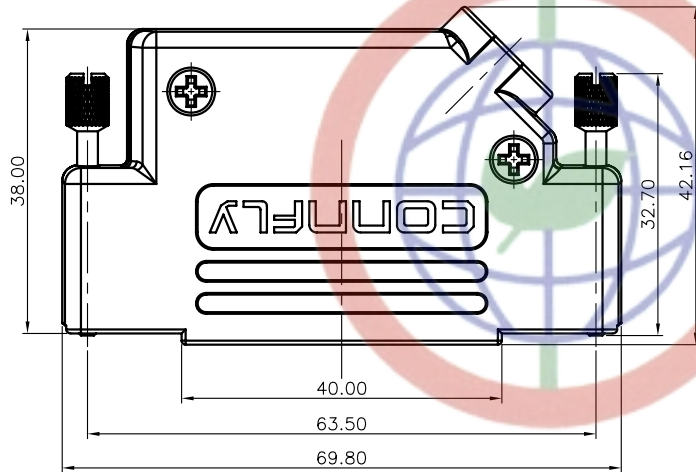
NOTES:

1. PART NUMBER CODE:
DS1047-04 - 37 X X

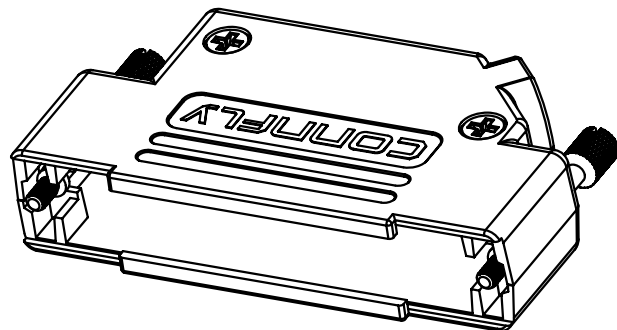
Packing type
1: Mix packing
2: Separation packing

Cover Material
M: Metal(Znic alloy)


Positions
37: 37pin



BOM LIST			
ITEM	PART NAME	Q'ty	NOTES
1	SCREW	2	M3
2	METAL HOOD-1	1	
3	BOLT	2	UNC#4-40
4	METAL HOOD-2	1	



GENERAL TOLERANCE		ANGLE TOLERANCE		PROJECTION	TITLE
X.	±0.60	X.	±5°	mm	D-SUB 37pin Metal Hoods Large Angled Cable Outlet
.X	±0.38	.X	±3°	A4	SERIES DS1047-04 SERIES
.XX	±0.25	.XX	±2°		
DRAWING TYPE	COSTOMER				
SCALE	1:1	SHEET	1 OF 1		
DRAWING NO.	C-DS1047-04-37XX				

 晨翔电子有限公司
CONNFLY CONNFLY ELECTRONIC CO. LTD

Tel: 86-574-6350878
Fax: 86-574-63510817
E-mail: sales@zhenqin.com.cn
Http://www.connfly.com