

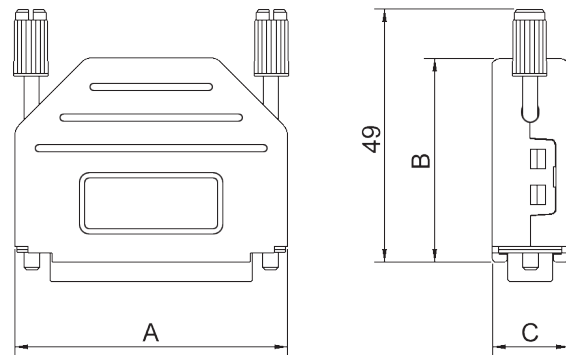
**TECHNICAL SPECIFICATIONS**

**D-Sub Hood:**

Housing material: Polyamid, UL-recognised  
 Operating Temperature: -55°C to +105°C  
 Cable Entry: Top  
 Thumbscrews: UNC 4-40 (Standard)  
 Cable O.D: Up to 11,5mm

**D-Sub High Density:**

Insulator: PBT, Black, UL94 V-0  
 Shell: Stamped Steel, Tin Plated  
 Contact pins: Copper Alloy  
 Stamped & Formed pins: 100 inserts min  
 Contacts Plating: Selective Gold over Nickel  
 Operating Temperature: -55°C to +105°C  
 Withstanding voltage: 500V for 1 minute  
 Insulator resistance: 500MΩ min



D-Sub-Hood

**Features:**

- Available in sizes 9-15-25-37-50
- Supplied with standard solder cup Sub-D connector

Size	Dim A	Dim B	Dim C
9-way	31,5	34,0	15,0
15-way	40,0	34,0	15,0
25-way	53,5	34,0	15,0
37-way	70,0	40,0	15,0
50-way	67,5	40,0	15,0

**Ordering information:**

*D-Sub Connector Kits (100 inserts min.)*

Size:	P/N - Kitted:	Product Code - MALE Conn. Kit
HD 15	6355-0011-01	DPPK09-BK-HDP15-K
HD 26	6355-0011-02	DPPK15-BK-HDP26-K
HD 44	6355-0011-03	DPPK25-BK-HDP44-K
HD 62	6355-0011-04	DPPK37-BK-HDP62-K
HD 78	6355-0011-05	DPPK50-BK-HDP78-K

Size:	P/N - Kitted:	Product Code - FEMALE Conn. Kit
HD 15	6355-0011-11	DPPK09-BK-HDS15-K
HD 26	6355-0011-12	DPPK15-BK-HDS26-K
HD 44	6355-0011-13	DPPK25-BK-HDS44-K
HD 62	6355-0011-14	DPPK37-BK-HDS62-K
HD 78	6355-0011-15	DPPK50-BK-HDS78-K