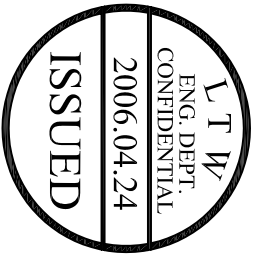
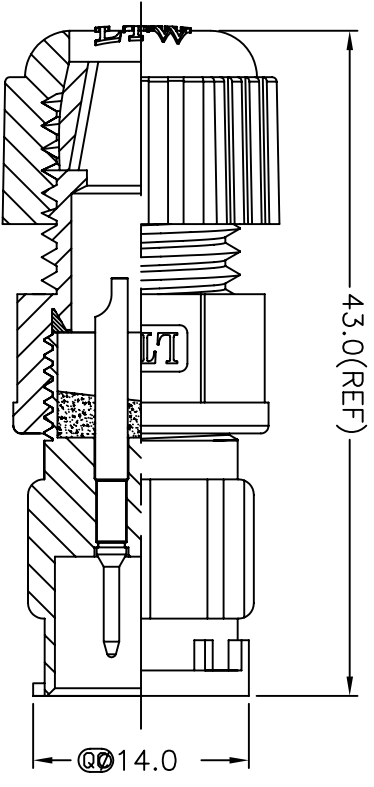
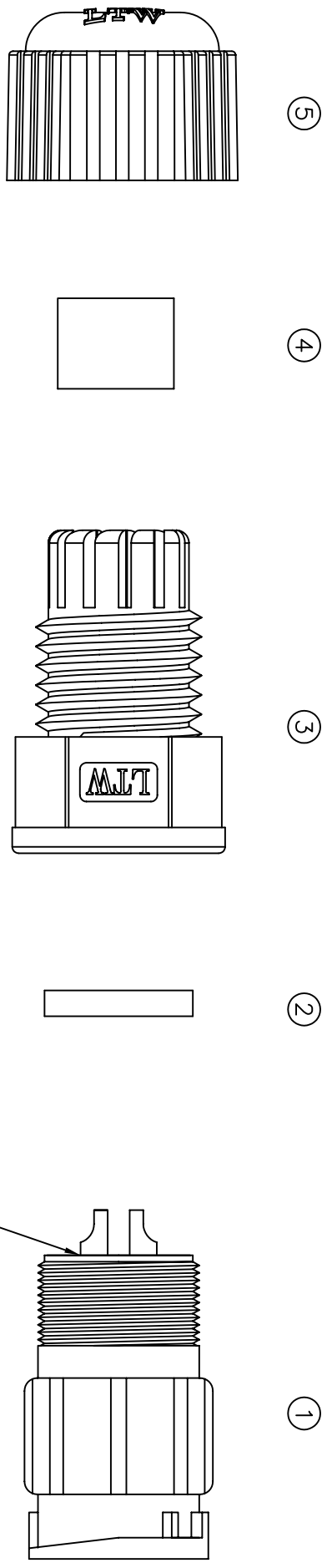
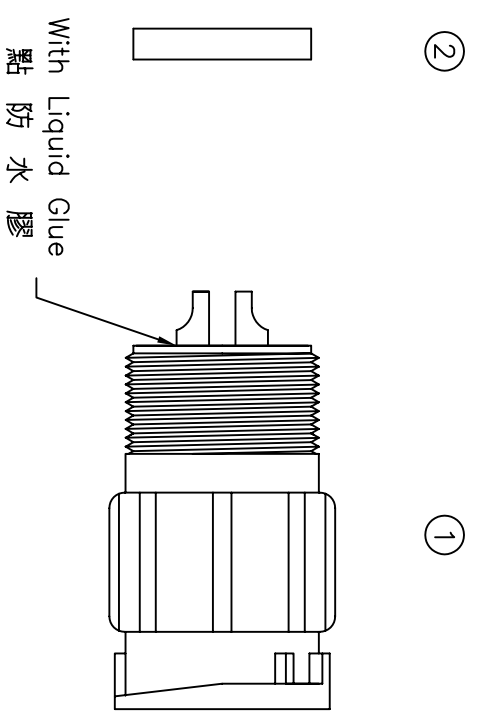
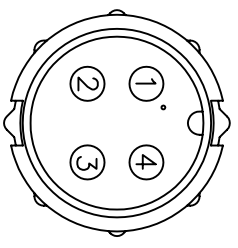


REV.	EON NO.	DATE	SIGN	DESCRIPTION



Pin Assignments
Front View 前視圖



Note:

- * Waterproof Rate : IP67
- * @ Important Dimension To Check.
(@ 為重點檢驗尺寸)
- * Seals for Cable OD: $\phi 4.5\text{mm} \sim \phi 6.5\text{mm}$
(防水墊圈線徑 : $4.5\text{mm} \sim \phi 6.5\text{mm}$)
- * One Set Unassembled in One PE Bag
(每一組未組裝, 放置於一個 PE 袋, 並封口)
- * Housing: Black, Nylon+GF
- * Male Pin: Copper Alloy, Gold Plated
- * Gasket: Black, EPDM
- * Clamp Ring: Black, Nylon
- * Seals: Black, EPDM
- * Sealing Nut: Black, Nylon
- * Liquid Glue: Clear

UNIT:mm TOLERANCE .X .XX .XXX ANGLES ± 0.25 ± 0.1 ± 0.05 $\pm 1^\circ$		TITLE Standard Assy Lock 4P M Conn M Pin		LTW 亮泰企業股份有限公司	
SCALE	Free	SHEET	1	OF	1
REV.	A	SIZE	A4	@ : Inspection Item	
ITEM NO	LTWBD-04BMMA-LL7001	DRAWN BY	Hong Xueding		
DWG NO	LTWBD-04BMMA-LL7001	CHECKED BY	Tina		
CUSTOMER		APPROVED BY	Rita		
DATE	2006/04/06	DATE	2006/04/12		
DATE	2006/04/20	DATE	2006/04/20		