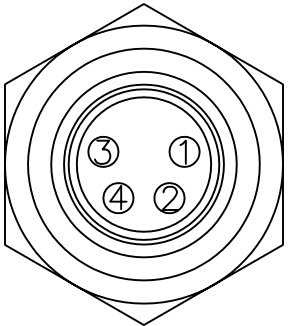
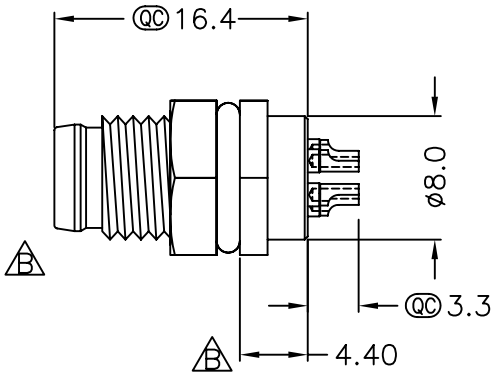
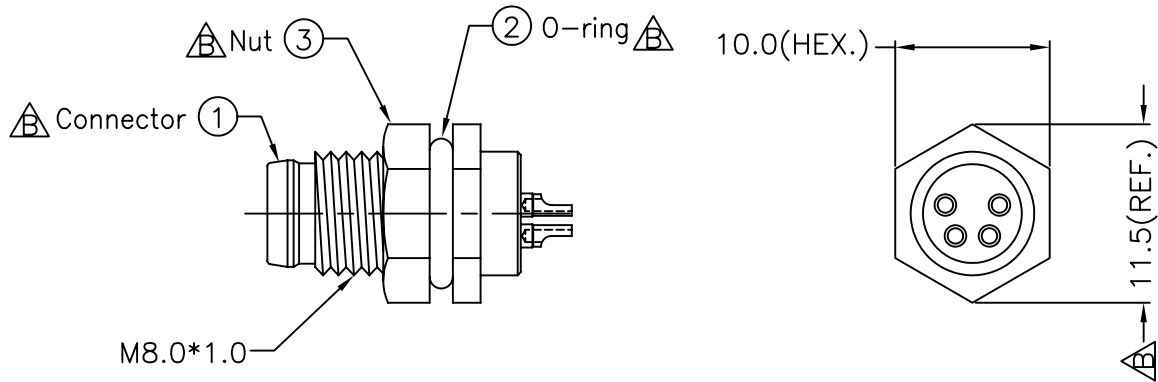
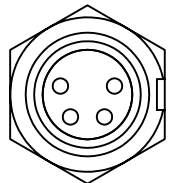


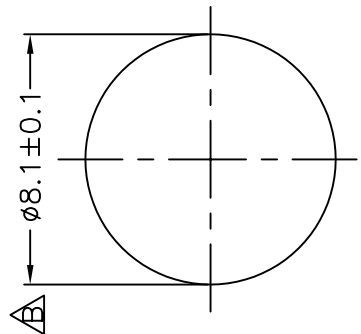
REV	ECN NO.	DATE	SIGN	DESCRIPTION
B	LEN-910195	2009/01/07	Ivan Lin	Change rev. to ECN note

LTW  
CONFIDENTIAL  
2009.01.07  
R&D DEPT.

LTW  
DCC. DEPT.  
CONFIDENTIAL  
2009.01.19  
ISSUED



Pin Assignments  
Front View 前視圖



Recommended Panel Cut-Out

- Note:
- \* @@Important Dimension To Check.
  - \* Waterproof Rate: IP67
  - \* Housing: Black, Nylon+GF
  - \* Male Pin: Copper Alloy, Gold Plated
  - \* Nut: Black, Nylon+GF
  - \* O-Ring: Black, EPDM
  - \* For Panel Thickness Max 3.0mm

UNIT:mm	
TOLERANCE	
.X	±0.25
.XX	±0.1
.XXX	±0.05
ANGLES	±1°

TITLE		M8 Conn	
SCALE		FREE	
SHEET		1 OF 1	
REV.	SIZE	@@ :Inspection Item	
B	A4		

**LTW**  
亮泰企業股份有限公司

ITEM NO	LTW8P-04PMMS-SF7001
DWG NO	LTW8P-04PMMS-SF7001
CUSTOMER	

DRAWN BY	Ivan Lin
CHECKED BY	Tommy Hom
APPROVED BY	Luke Chang

DATE	2009/01/07
DATE	2009/01/07
DATE	2009/01/07

THIS INFORMATION IS CONFIDENTIAL AND IS DISCLOSED TO YOU ON CONDITION THAT NO FURTHER DISCLOSURE IS MADE BY YOU TO OTHER THAN LTW PERSONNEL WITHOUT AUTHORIZATION FROM LTW CORP.