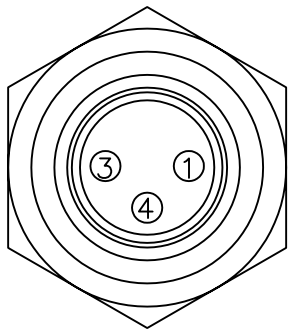
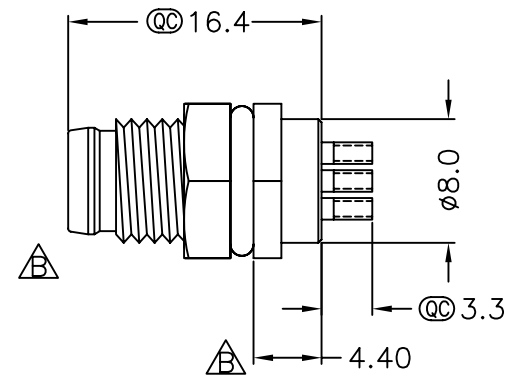
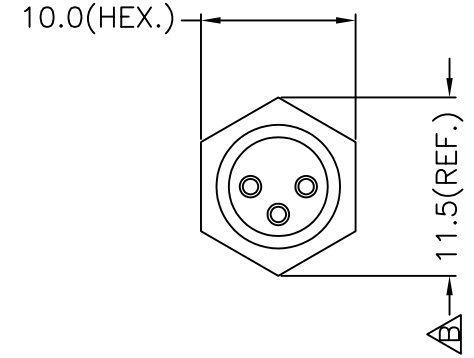
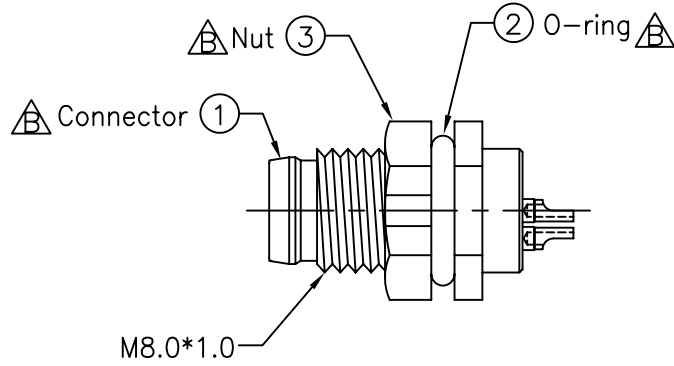
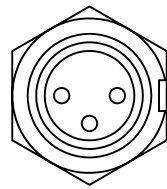


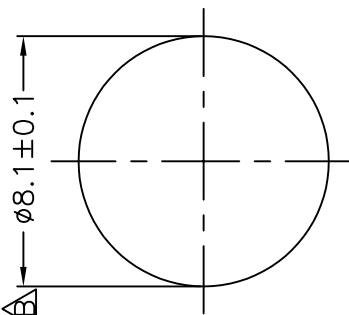
LTW
CONFIDENTIAL
2009.01.07
R&D DEPT.

LTW
DCC. DEPT.
CONFIDENTIAL
2009.01.19
ISSUED

REV	ECN NO.	DATE	SIGN	DESCRIPTION
B	LEN-910193	2009/01/07	Ivan Lin	Change rev. to ECN note



Pin Assignments
Front View 前視圖



Recommended Panel Cut-Out

Note:

- * @@Important Dimension To Check.
- * Waterproof Rate: IP67
- * Housing: Black, Nylon+GF
- * Male Pin: Copper Alloy, Gold Plated
- * Nut: Black, Nylon+GF
- * O-Ring: Black, EPDM

△ For Panel Thickness Max 3.0mm

UNIT:mm	
TOLERANCE	
.X	±0.25
.XX	±0.1
.XXX	±0.05
ANGLES	±1'

TITLE		M8 Conn Panel Screw 3P M Conn M Pin	
SCALE	Free	SHEET	1 OF 1
REV.	B	SIZE	A4
		QC : Inspection Item	

LTW
亮泰企業股份有限公司

ITEM NO	LTW8P-03PMMS-SF7001
DWG NO	LTW8P-03PMMS-SF7001
CUSTOMER	

DRAWN BY	Ivan Lin
CHECKED BY	Tommy Hom
APPROVED BY	Luke Chang

DATE	2009/01/07
DATE	2009/01/07
DATE	2009/01/07

THIS DOCUMENT IS SUBJECT TO CHANGE WITHOUT NOTICE. IT IS CONFIDENTIAL AND A PROPERTY OF LTW. DISCLOSURE TO THIRD PARTY HAS TO BE AUTHORIZED BY LTW.