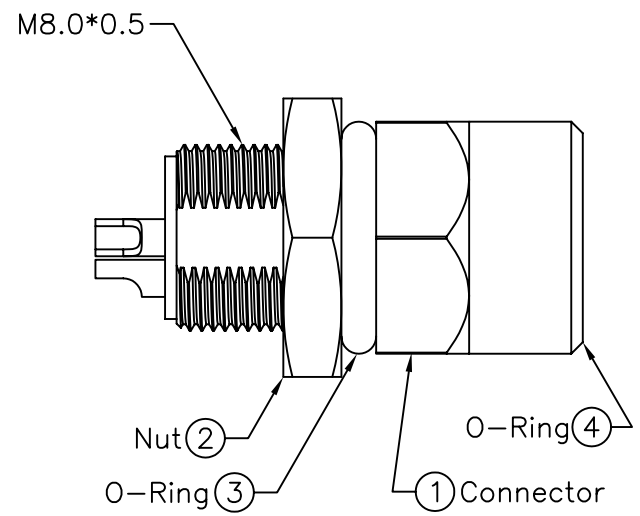
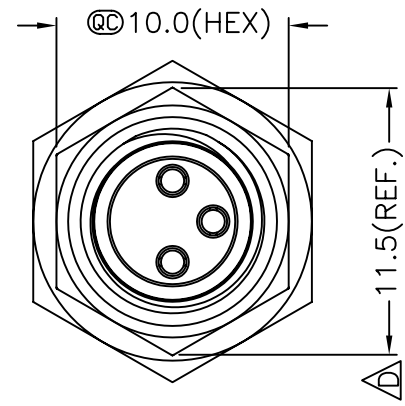
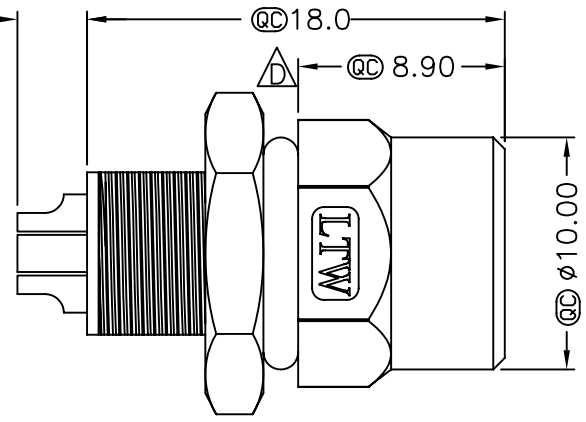
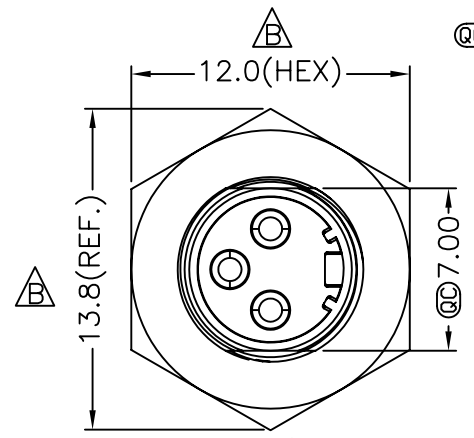
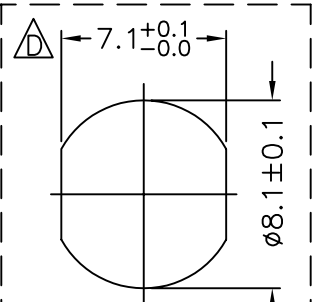
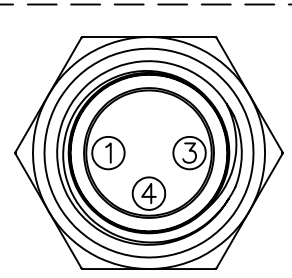


REV.	ECN NO.	DATE	SIGN	DESCRIPTION
B	LEN-750243	2007/05/26	Jason	Change Dimension of Nut
C	LEN-7A0168	2007/09/29	Myrdal	Added Note
D	LEN-910176	2009/01/06	Ivan Lin	Change rev.to ECN note



- Note:
- \* @C Important Dimension.
  - \* Waterproof Rate: IP67
  - \* Connector: Black, Nylon+GF
  - \* Female Pin: Copper Alloy, Gold Plated
  - \* Shield: Zinc Alloy, Nickel Plated
  - \* Nut: Copper Alloy, Nickel Plated
  - \* O-Ring: Black, EPDM
  - \* O-Ring: Green, VITON
  - \* For Panel Thickness Max 4.5mm
  - \* Nut Torque: 4-6 kgf.cm



Pin Assignments  
Front View

Recommended  
Panel Cut-Out

UNIT:mm	
TOLERANCE	
.X	±0.25
.XX	±0.1
.XXX	±0.05
ANGLES	±1°

TITLE	M8 Conn Panel Screw 3P F Conn F Pin	
SCALE	Free	SHEET 1 OF 1
REV.	D	SIZE A4 @C :Inspection Item

**LTW**  
亮泰企業股份有限公司

ITEM NO	LTW8-03PFFS-SH7001
DWG NO	LTW8-03PFFS-SH7001
CUSTOMER	

DRAWN BY	Ivan Lin
CHECKED BY	Tommy Hom
APPROVED BY	Luke Chang

DATE	2009/01/06
DATE	2009/01/06
DATE	2009/01/06

THIS DOCUMENT IS SUBJECT TO CHANGE WITHOUT NOTICE. IT IS CONFIDENTIAL AND A PROPERTY OF LTW. DISCLOSURE TO THIRD PARTY HAS TO BE AUTHORIZED BY LTW.