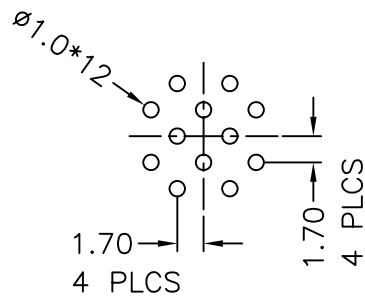
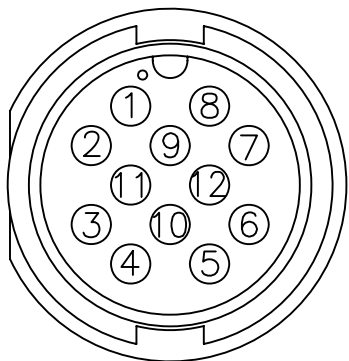
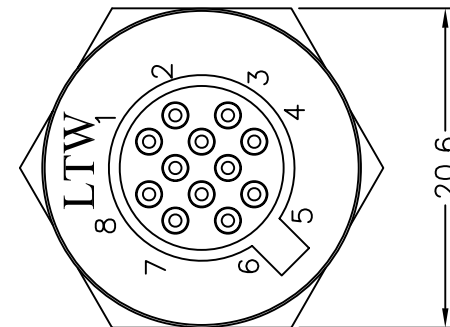
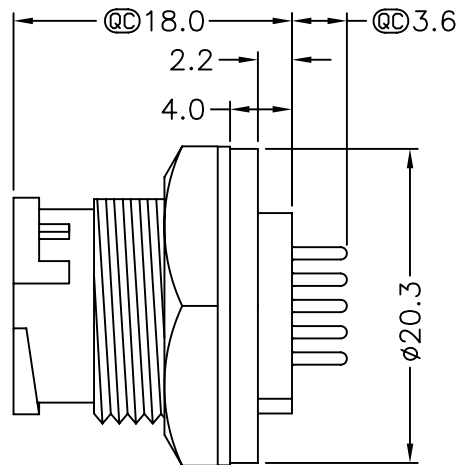
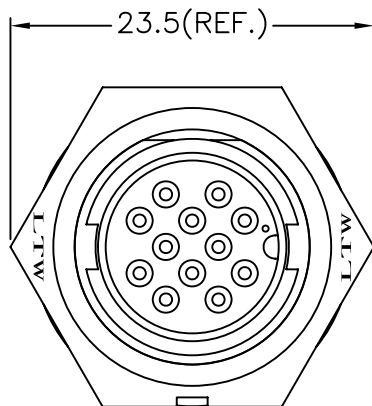


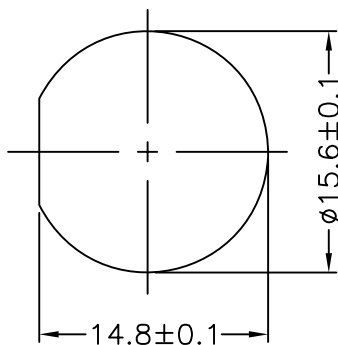
REV.	ECN NO.	DATE	SIGN	DESCRIPTION
B	LEN-8B0415	2008/09/22	Shin	Add Note
C	LEN1130454	2011/03/25	Jiang Jun Hua	Modify Nut Color.



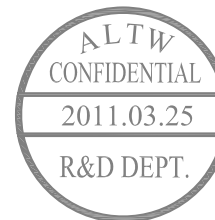
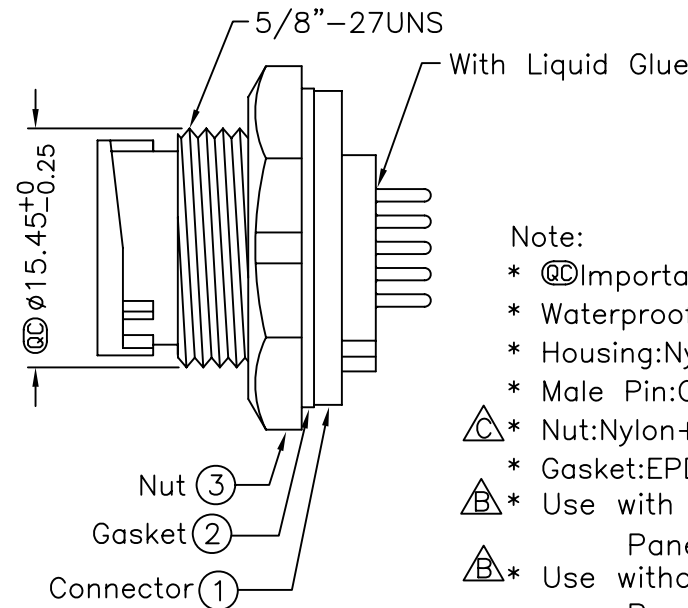
PCB Lay-Out



Pin Assignments  
Front View



Recommended Panel Cut-Out



Note:

- \* @C Important Dimension To Check.
- \* Waterproof Rate: IP67.
- \* Housing: Nylon+GF, Black.
- \* Male Pin: Copper Alloy, Gold Plated.
- \* Nut: Nylon+GF, Black.
- \* Gasket: EPDM, Black.
- \* Use with waterproof cap or dust cap  
Panel Thickness Max: 3.0mm
- \* Use without waterproof cap or dust cap  
Panel Thickness Max: 4.5mm

UNIT:mm	
TOLERANCE	
.X	±0.25
.XX	±0.1
.XXX	±0.05
ANGLES	±1°

TITLE	Standard	
	Panel Lock 12Pin M Conn. M Pin	
SCALE	Free	SHEET 1 OF 1
REV. C	SIZE A4	@C : Inspection Item

**Amphenol LTW**  
安費諾亮泰企業股份有限公司

ITEM NO	LTWBU-12PMMP-LC7001
DWG NO	LTWBU-12PMMP-LC7001
CUSTOMER	

DRAWN BY	Jiang Jun Hua
CHECKED BY	Tina
APPROVED BY	Can

DATE	2011/03/25
DATE	2011/03/25
DATE	2011/03/25

THIS DOCUMENT IS SUBJECT TO CHANGE WITHOUT NOTICE. IT IS CONFIDENTIAL AND A PROPERTY OF Amphenol LTW. DISCLOSURE TO THIRD PARTY HAS TO BE AUTHORIZED BY Amphenol LTW.

F  
E  
D  
C  
B  
A