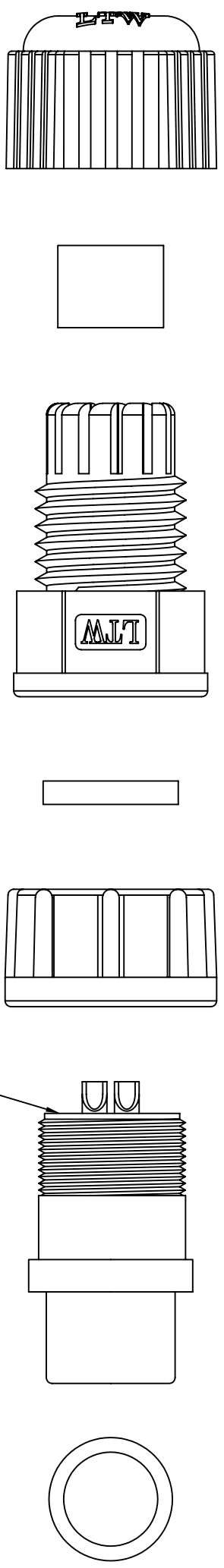
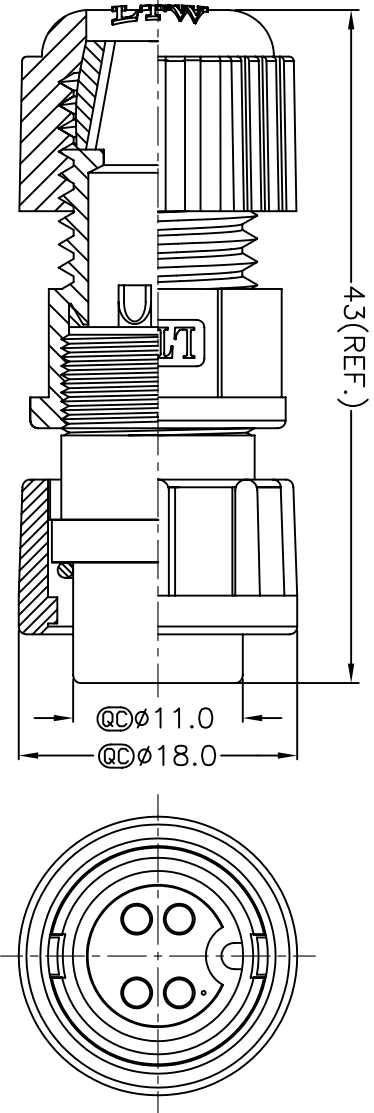


1	2	3	4	5	6	7	8
REV.	ECN NO.	DATE	SIGN	DESCRIPTION			



Note:

1. Seals for Cable OD: $\phi 4.5\text{mm} \sim \phi 6.5\text{mm}$ (防水墊圈線徑: $\phi 4.5\text{mm} \sim \phi 6.5\text{mm}$)
2. One Set Unassembled in One PE Bag (每一組未組裝, 放置於一個 PE 袋, 并封口)
3. ϕ Important Dimension. (ϕ 為重點檢驗尺寸)



Pin Assignments
Front View 前視圖

10	Liquid Glue			LIQ-002	
9	PE Bag			HPE00900085	
8	Sealing Nut	Black	Nylon	ANCC223XXX01	1
7	Seals	Black	EPDM	DGA0064EP70	1
6	Clamp Ring	Black	Nylon	ANCC224XXX01	1
5	Gasket	Black	EPDM	DGA0063EP70	1
4	Lock Nut	Black	Nylon+GF	ANB130XXX01	1
3	Male Pin		Brass 6u" Gold Plated Solder Type(5A)	BAB0069GDD06	4
2	Connector	Black	4Pin Female, Nylon+GF	ANB161A0401	1
1	O-ring	Black	EPDM	DDR0011EP70	1
NO.	NAME	COLOR	SPECIFICATION	QTY	NOTE

LTW

亮泰企業股份有限公司

TITLE
4Pin Female Connector Male Pin
for Field Installation, Lock Type

SCALE
Free

REV. A

SIZE A4

SHEET 1 OF 1

Inspection Item

UNIT: mm

TOLERANCE
 $\pm 0.5 \text{ mm}$

ITEM NO

DWG NO
LTWBD-04BFMA-LL7001

CUSTOMER

DRAWN BY
Zhuting

CHECKED BY
Liu yanzhi

APPROVED BY
Takou Lu

DATE
2005/06/08

DATE
2005/06/09

DATE
2005/06/10