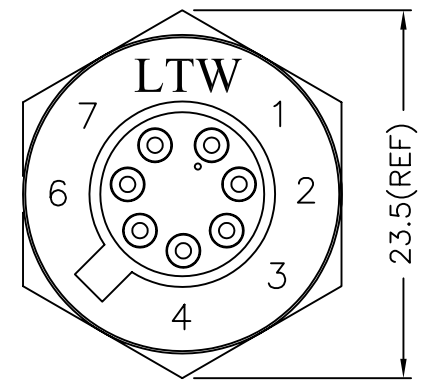
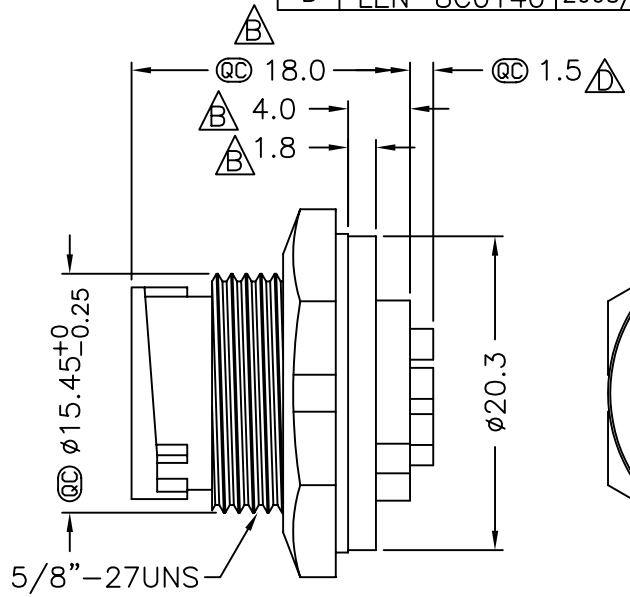
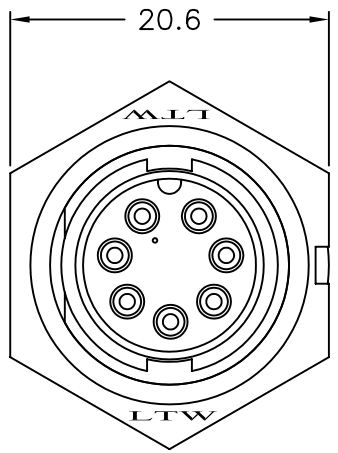


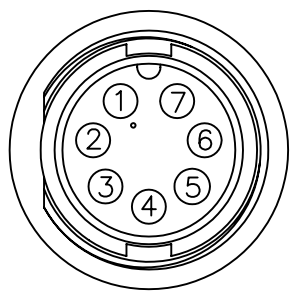
THIS DOCUMENT IS SUBJECT TO CHANGE WITHOUT NOTICE. IT IS CONFIDENTIAL AND A PROPERTY OF LTW. DISCLOSURE TO THIRD PARTY HAS TO BE AUTHORIZED BY LTW.

REV.	ECN NO.	DATE	SIGN	DESCRIPTION
B		2007/04/24	J.Espiritu	Change Precision Of Dimension 18.00 To 18.0, 4.00 To 4.0, 1.80 To 1.8 And Apply New Format
C	LEN-8B0397	2008/09/17	Shin	Add Note
D	LEN-8C0140	2008/11/24	Li Xiu Zhi	Change 2.5 To 1.5

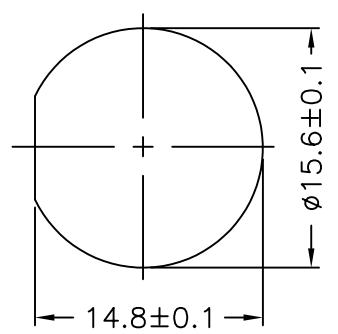


Note:

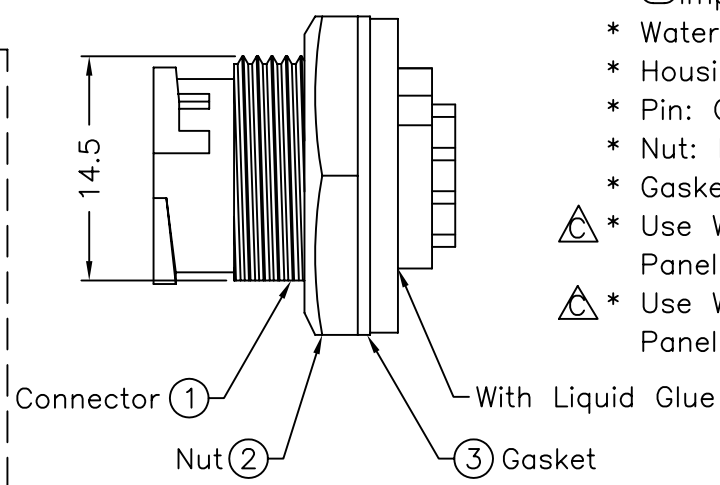
- * @C Important Dimension To Check.
- * Waterproof Rate: IP67
- * Housing: Black, Nylon+GF
- * Pin: Copper Alloy, Gold Plated
- * Nut: Black, Nylon+GF
- * Gasket: Black, EPDM
- * Use With Waterproof Cap Or Dust Cap
Panel Thickness Max: 3.0mm
- * Use Without Waterproof Cap Or Dust Cap
Panel Thickness Max: 4.5mm



Pin Assignments
Front View



Recommended Panel Cut-out



UNIT:mm		TITLE Standard Panel Lock 7Pin M Conn M Pin		 亮泰企業股份有限公司		ITEM NO LTWBD-07PMMS-LC7001	DRAWN BY Li Xiu Zhi	DATE 2008/11/24
TOLERANCE .X ±0.25 .XX ±0.1 .XXX ±0.05 ANGLES ±1°		SCALE Free	SHEET 1 OF 1			DWG NO LTWBD-07PMMS-LC7001	CHECKED BY Sunny	DATE 2008/11/24
REV. D		SIZE A4	@C :Inspection Item	CUSTOMER		APPROVED BY Win	DATE 2008/11/24	8 QP02C-01-01A2