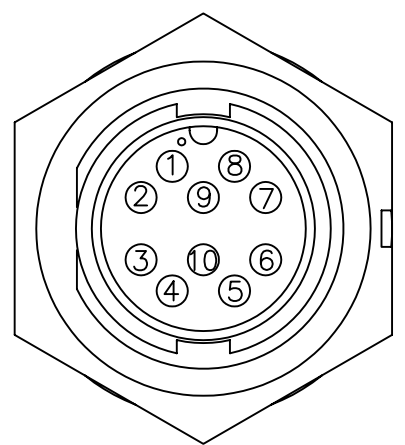
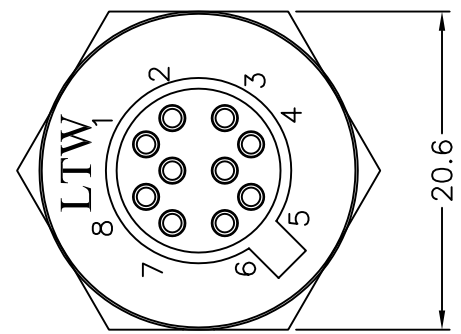
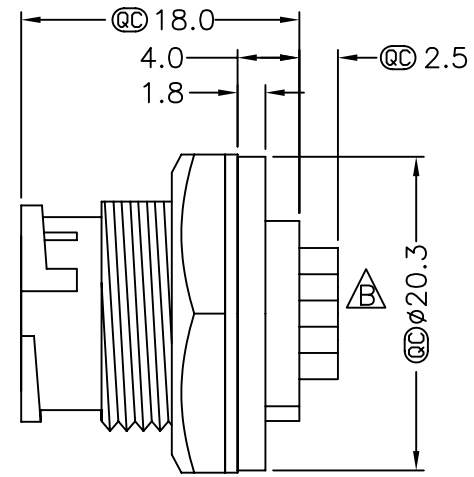
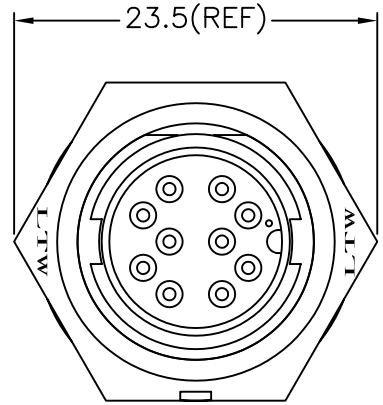
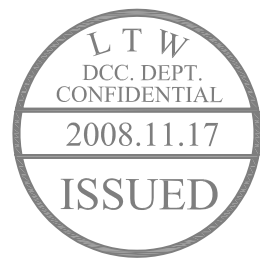
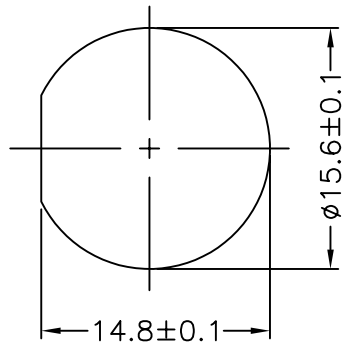


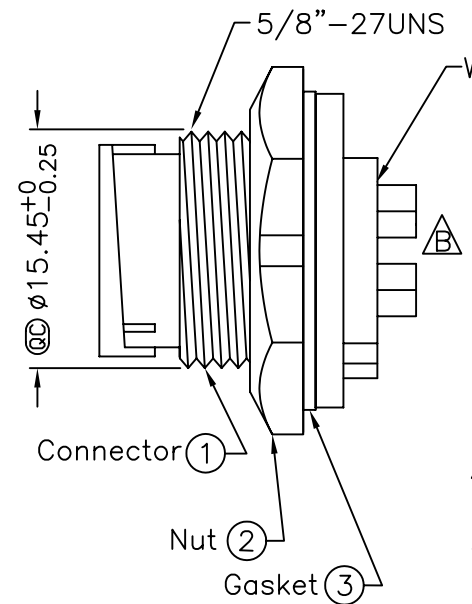
REV.	ECN NO.	DATE	SIGN	DESCRIPTION
B		2007/04/19	J.Espiritu	Change Pin Presentation And Apply New Format
C	LEN-8B0410	2008/09/22	Shin	Add Note



Pin Assignments
Front View



Recommended Panel Cut-Out



With Liquid Glue

- Note:
- * @C Important Dimension To Check.
 - * Waterproof Rate: IP67
 - * Housing: Black, Nylon+GF
 - * Male Pin: Copper Alloy, Gold Plated
 - * Nut: Black, Nylon+GF
 - * Gasket: Black, EPDM
 - * Use with waterproof cap or dust cap
Panel Thickness Max: 3.0mm
 - * Use without waterproof cap or dust cap
Panel Thickness Max: 4.5mm

UNIT:mm		TITLE	Standard		ITEM NO	DRAWN BY	DATE
TOLERANCE		Panel Lock 10Pin M Conn. M Pin			LTWBU-10PMMS-LC7001	Ivan	2008/10/30
.X ±0.25		SCALE	Free	SHEET	1 OF 1	CHECKED BY	DATE
.XX ±0.1		REV.	C	SIZE	A4	APPROVED BY	DATE
.XXX ±0.05				@C : Inspection Item			
ANGLES ±1°							

LTW
亮泰企業股份有限公司

THIS DOCUMENT IS SUBJECT TO CHANGE WITHOUT NOTICE. IT IS CONFIDENTIAL AND A PROPERTY OF LTW. DISCLOSURE TO THIRD PARTY HAS TO BE AUTHORIZED BY LTW.