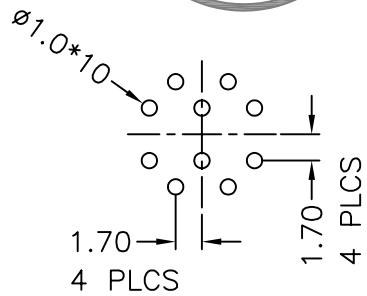
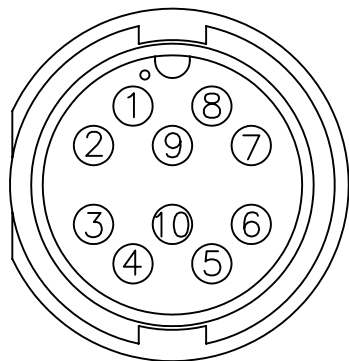
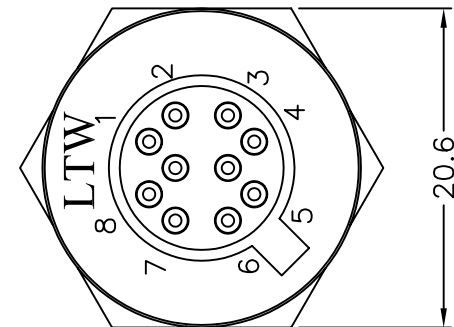
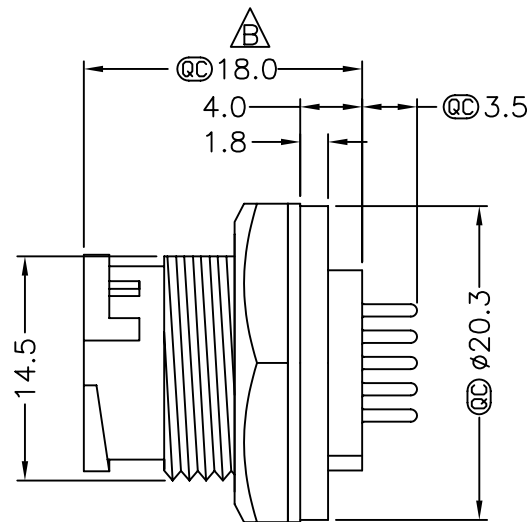
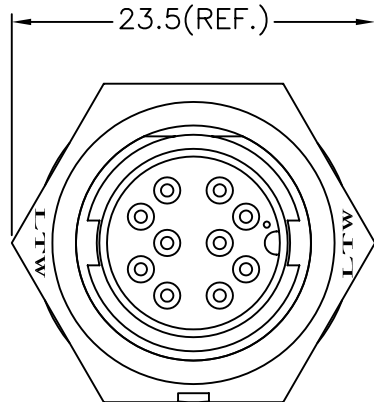


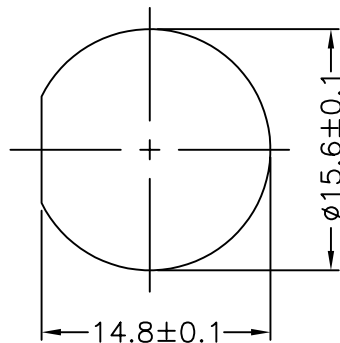
REV.	ECN NO.	DATE	SIGN	DESCRIPTION
B		2007/04/23	J.Espiritu	Change Precision Of Dimension 18.00 To 18.0 And Apply New Format
C	LEN-8B0409	2008/09/22	Shin	Add Note



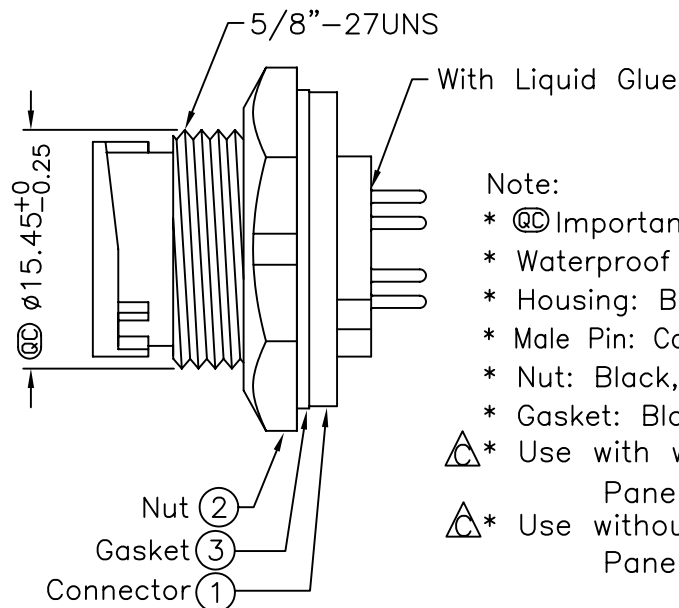
PCB Lay-Out



Pin Assignments Front View



Recommended Panel Cut-Out



Note:

- \* @C Important Dimension To Check.
- \* Waterproof Rate: IP67
- \* Housing: Black, Nylon+GF
- \* Male Pin: Copper Alloy, Gold Plated
- \* Nut: Black, Nylon+GF
- \* Gasket: Black, EPDM
- \* Use with waterproof cap or dust cap  
Panel Thickness Max: 3.0mm
- \* Use without waterproof cap or dust cap  
Panel Thickness Max: 4.5mm

UNIT:mm	
TOLERANCE	
.X	±0.25
.XX	±0.1
.XXX	±0.05
ANGLES	±1°

TITLE		Standard	
Panel Lock 10Pin M Conn. M Pin			
SCALE	Free	SHEET	1 OF 1
REV.	C	SIZE	A4
QC : Inspection Item			

**LTW**  
亮泰企業股份有限公司

ITEM NO	LTWBU-10PMMP-LC7001
DWG NO	LTWBU-10PMMP-LC7001
CUSTOMER	

DRAWN BY	Ivan
CHECKED BY	Tommy
APPROVED BY	Luke

DATE	2008/10/30
DATE	2008/10/30
DATE	2008/10/30

THIS DOCUMENT IS SUBJECT TO CHANGE WITHOUT NOTICE. IT IS CONFIDENTIAL AND A PROPERTY OF LTW. DISCLOSURE TO THIRD PARTY HAS TO BE AUTHORIZED BY LTW.