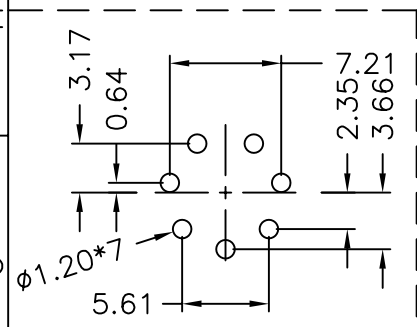
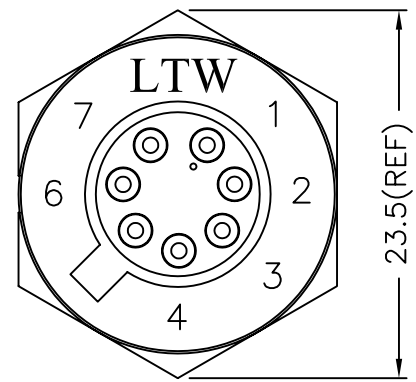
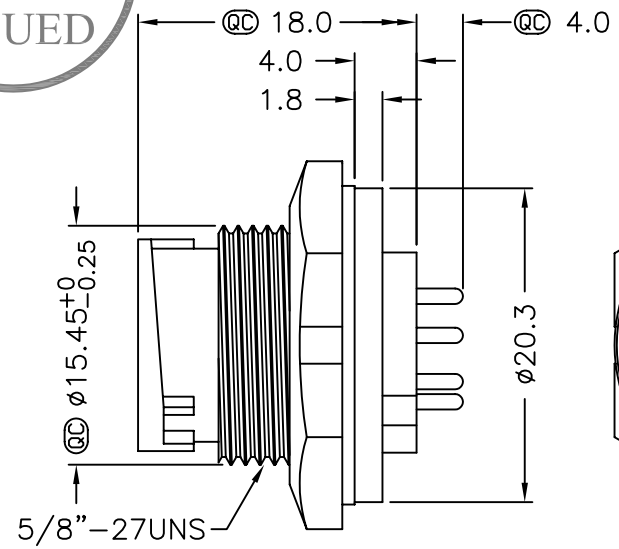
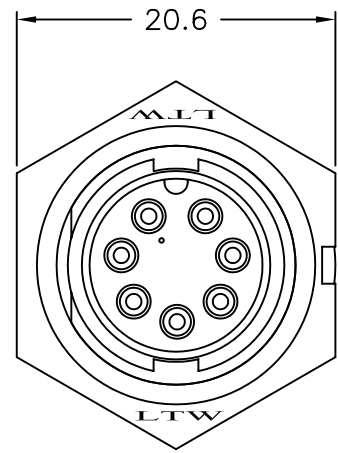
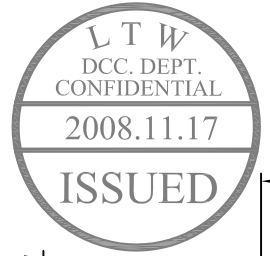
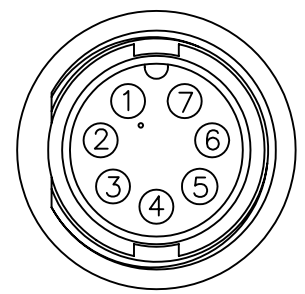


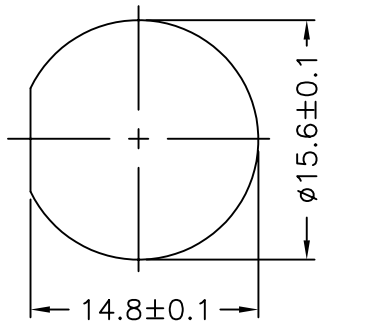
REV.	ECN NO.	DATE	SIGN	DESCRIPTION
B	LEN-8B0395	2008/09/17	Shin	Add Note



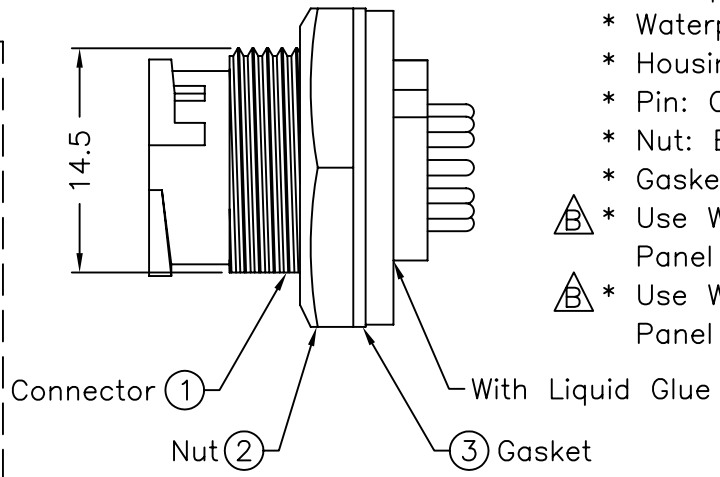
7 Pin Male Connector
Male Pin PCB Layout



Pin Assignments
Front View



Recommended Panel Cut-out



Note:

- * @C Important Dimension To Check.
- * Waterproof Rate: IP67
- * Housing: Black, Nylon+GF
- * Pin: Copper Alloy, Gold Plated
- * Nut: Black, Nylon+GF
- * Gasket: Black, EPDM
- * Use With Waterproof Cap Or Dust Cap
Panel Thickness Max: 3.0mm
- * Use Without Waterproof Cap Or Dust Cap
Panel Thickness Max: 4.5mm

UNIT:mm		TITLE Standard Panel Lock 7Pin M Conn M Pin	<h1>LTW</h1> <p>亮泰企業股份有限公司</p>	ITEM NO LTWBD-07PMMP-LC7001	DRAWN BY Ivan	DATE 2008/10/30
TOLERANCE .X ±0.25 .XX ±0.1 .XXX ±0.05 ANGLES ±1°	SCALE Free	SHEET 1 OF 1		DWG NO LTWBD-07PMMP-LC7001	CHECKED BY Tommy	DATE 2008/10/30
REV. B	SIZE A4	@C : Inspection Item		CUSTOMER	APPROVED BY Luke	DATE 2008/10/30
				8 QP02C-01-01A2		

THIS DOCUMENT IS SUBJECT TO CHANGE WITHOUT NOTICE. IT IS CONFIDENTIAL AND A PROPERTY OF LTW. DISCLOSURE TO THIRD PARTY HAS TO BE AUTHORIZED BY LTW.