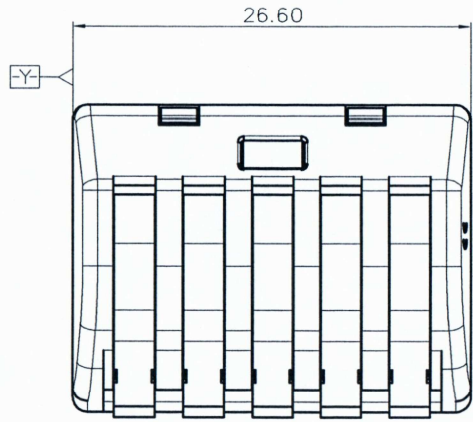
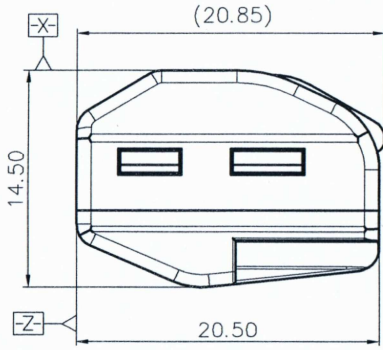


REVISION RECORD				
REV	ECN	DESCRIPTION	DRFT	DATE



仅供参考图
 签字: *[Signature]*
 日期: 9/13/16

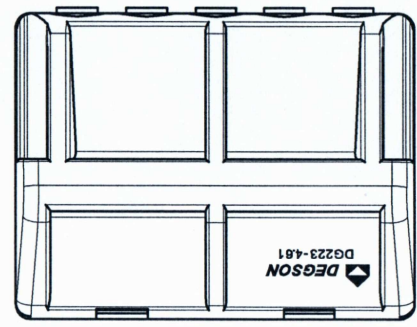
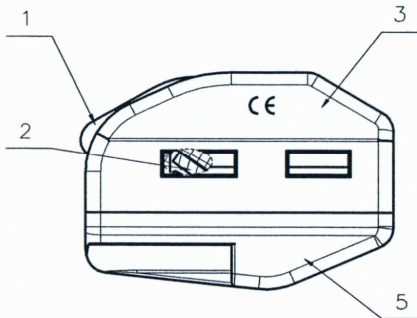
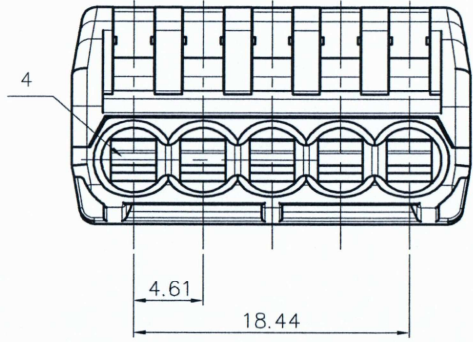
NOTES1:
 UL Standard
 1. Rated voltage/current : 600V / 20A
 2. Wire range : 28~12AWG
 IEC Standard
 1. Rated voltage/current : 400V / 32A
 2. Wire range : 0.2~2.5mm²



NOTES2:
 1. Dimension shall be interpreted per ASME Y14.5-2009
 2. Pitch : 4.61mm, Poles : N=5P
 3. Stripping length : 9~10mm
 4. Withstanding voltage : AC2500V/1Min
 5. Operating temperature : -40°C~+105°C
 6. Undimensioned tolerances:

Pitch range in mm		Nominal dimension range in mm					- / ^ / D	
TO	Over	TO	Over	TO	Over	TO	Over	
6	10	30	60	100	150			0.1/10
±0.15	±0.20	±0.30	±0.30	±0.50	±0.70	±1.00	±1.30	±2'

7. RoHS Compliance



ITEM	NAME OF PART	MATERIAL	NOTES
5	Housing	PA66	UL94V-0
4	Spring	Stainless steel	
3	Cover	PA66	UL94V-0
2	Current carrier	Copper alloy	Sn Plated
1	Button	POM	UL94HB

DETACHED LISTS	PART NO.: /	宁波高松电子有限公司 NINGBO DEGSON ELECTRICAL CO., LTD		
	APPD: <i>Xm 9/13/16</i>	NAME: DG223-4.61-05P-1Y-00A(H)		
	CHKD: <i>Beary 9/13/16</i>	TITLE: CUSTOMER DRAWING		
	DRFT: MEK 07/08/16"	REV	D0-1	
		DRAWING NO.: DG223-4.61-C03	SHEET	1/1
THIRD ANGLE PROJECTION		DO NOT SCALE DRAWING	SCALE: 1:1	