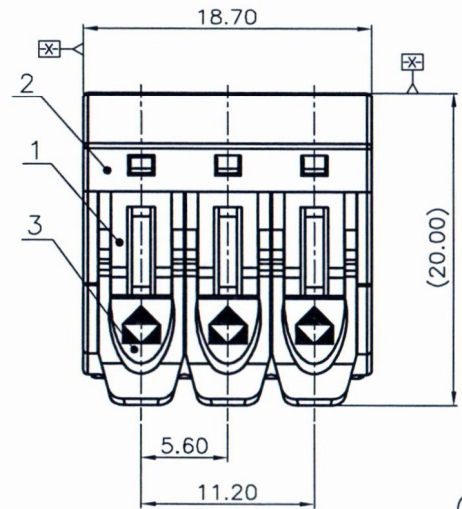
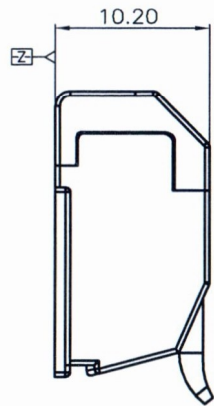


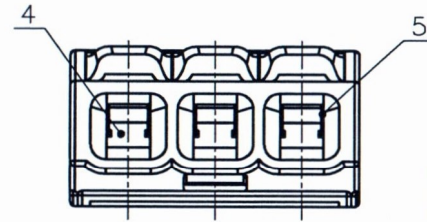
REVISION RECORD

REV	ECN	DESCRIPTION	DRFT	DATE
00-2	/	Outlook amendment	WW	2018.05.25
00-3	/	Revised drawings	WW	2018.07.06



DG221 - 5.6 - 03P - 1Y - 00A (H)
 (Series No.) (Pitch) (Poles) (Single Pitch) (Color): 1.(Grey) 2.(Blue) 3.(Black) 4.(Green) 5.(Orange) 6.(Red) 7.(Transparent) 8.(Yellow) 9.(White)
 (RoHS)
 00A-(Standard)

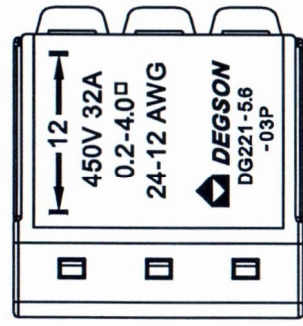
- NOTES1:
 UL Standard
 1.Rated voltage/current : 300V/20A
 2.Wire range : 24~12AWG
- IEC Standard
 1.Rated voltage/current : 450V / 32A
 2. Wire range : 0.2~4.0mm²



- NOTES2:
 1.Dimension shall be interpreted per ASME Y14.5-2009
 2.Pitch : 5.6mm, Poles : 03P
 3.Stripping length : 12mm
 4.Withstanding voltage : AC2500V/1Min
 5.Operating temperature: -40°C~+85°C
 6.Undimensioned tolerances:

Pitch range in mm		Nominal dimension range in mm						-	∩	∇
TO	Over	TO	Over	TO	Over	TO	Over	0.1/10		
6	10	6	10	30	60	100	150			
6	10	24	30	60	100	150		<		
±0.15	±0.20	±0.30	±0.30	±0.50	±0.70	±1.00	±1.30		±2'	

7.RoHS Compliance



仅供内部
 签字: [Signature]
 日期: 2018.07.06

ITEM	NAME OF PART	MATERIAL	NOTES
5	Current carrier	Copper alloy	Sn Plated
4	Spring	Stainless steel	
3	Button	PA66+GF	UL94V-0
2	Cover	PC	UL94V-2
1	Housing	PC	UL94V-2

DEGSON 宁波高松电子有限公司
 NINGBO DEGSON ELECTRICAL CO., LTD

PART NO.: /
 APPD: *Alan 2018.07.06*
 CHKD:
 DRFT: WW 2018.04.18

NAME: DG221-5.6-03P-1Y-00A(H)
 TITLE: CUSTOMER DRAWING
 REV: D0-3
 DRAWING NO.: DG221-5.6-03P-C01
 SHEET: 1/1

THIRD ANGLE PROJECTION
 DO NOT SCALE DRAWING
 SCALE: 1:1