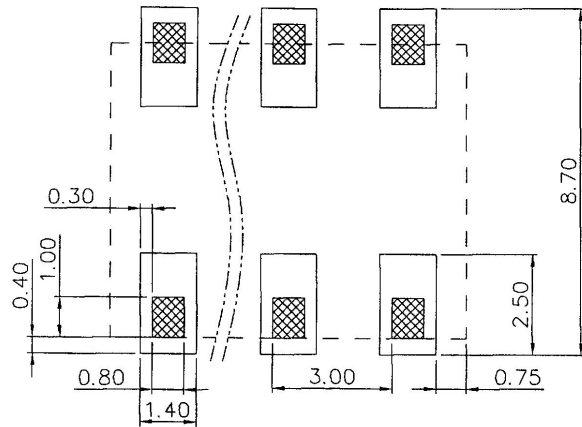


REVISION RECORD				
REV	ECN	DESCRIPTION	DRFT	DATE



PCB LAYOUT

NOTES1:

UL Standard

- Rated Voltage/Current : 600V/3A(01P)
250V/3A(02P/03P)
- Wire Range : 26~22AWG

IEC Standard

1. Pollution Degree	3	2	2
Overvoltage Category	III	III	II
Rate Impulse Voltage(KV)	2.5KV	2.5KV	2.5KV
Rate Voltage(V)	32V	160V	160V
Rate Current(A)	3A		

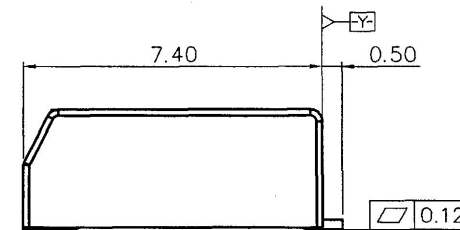
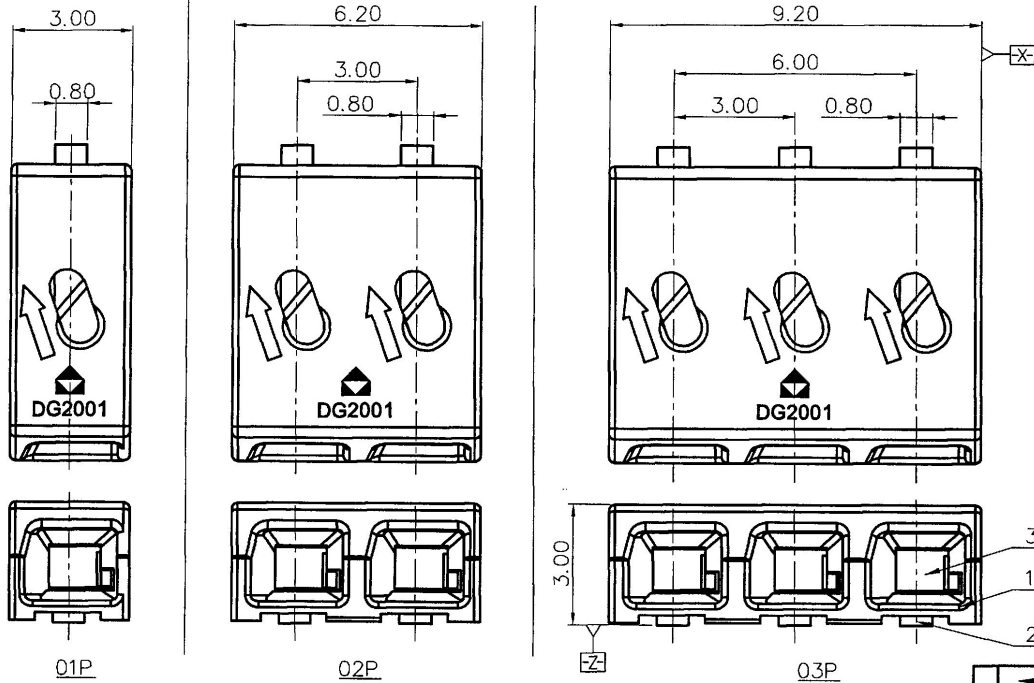
- Wire Range : 0.14~0.34mm²

NOTES2:

- Dimension shall be interpreted per ASME Y14.5-2009
- Pitch : 3.0mm, Poles : N=01~03P
- Stripping length : 5.5mm
- Operating temperature: -40°C~+130°C
- Undimensioned Tolerances:

Pitch Range in mm		Nominal Dimension Range in mm				Tolerance	
To	Over	To	Over	To	Over	0.1/10	0.1/10
6	10	6	10	10	150	<	<
10	24	10	24	150	150	±0.15	±0.20
24	30	24	30	150	150	±0.30	±0.30
30	60	30	60	150	150	±0.50	±0.70
60	100	60	100	150	150	±1.00	±1.30
100	150	100	150	150	150	±1.30	±2*

- RoHS Compliance



ITEM	NAME OF PART	MATERIAL	NOTES
3	SPRING	STAINLESS STEEL	
2	PIN HEADER	COPPER ALLOY	Sn PLATED
1	HOUSING	LCP	UL94V-0

<p>MM (INCH)</p> <p>TOLERANCES EXCEPT AS NOTED</p> <p>.X ± .X' ±</p> <p>.XX ± .XX' ±</p> <p>.XXX ± .XXX' ±</p>		<p>MATERIAL:</p> <p>FINISH:</p> <p>PART NO.:</p>		<p>DEGSON® 宁波高正电子有限公司</p> <p>DEGSON ELECTRONICS CO., LTD</p> <p>NAME:</p> <p>DG2001-3.0-XXP-1Y-01A(H)</p>			
<p>ANGLES ± 1'</p> <p>THIRD ANGLE PROJECTION</p>		<p>APPD: Alan 12/28/15"</p> <p>CHKD: Alan 12/28/15"</p> <p>DRFT: XLM 04/10/15"</p>		<p>TITLE: ASSEMBLY DRAWING</p> <p>DRAWING NO.: DG2001-3.0-C02</p>		<p>REV: D0-1</p> <p>SHEET: 1/1</p>	
<p>DO NOT SCALE DRAWING</p>				<p>SCALE: N/A</p>		<p>SHEET: 1/1</p>	