

Interface module - DFLK-D 9 SUB/B - 2287135

Please be informed that the data shown in this PDF Document is generated from our Online Catalog. Please find the complete data in the user's documentation. Our General Terms of Use for Downloads are valid (<http://phoenixcontact.com/download>)




The VARIOFACE feed-through module implements a 1:1 connection between screw connection terminal blocks and a D-SUB miniature socket strip (number of positions: 9). A separate ground tap is available.

Why buy this product

- 9 to 50-pos.
- 9 to 37-pos.: separate ground tap
- 50-pos.: no ground tap
- According to IEC 60807-2
- 1:1 connection
- Screw connection
- D-SUB 4-40 UNC thread



Key Commercial Data

Packing unit	5 pc
GTIN	 4 017918 056032
Weight per Piece (excluding packing)	35.03 g
Custom tariff number	85369010
Country of origin	Germany

Technical data

Dimensions

Width	39 mm
Height	58.4 mm
Depth	33 mm

Ambient conditions

Ambient temperature (operation)	-20 °C ... 50 °C
Ambient temperature (storage/transport)	-20 °C ... 70 °C

General

Max. perm. operating voltage	125 V AC/DC
------------------------------	-------------

Interface module - DFLK-D 9 SUB/B - 2287135

Technical data

General

Max. perm. current (per branch)	2.5 A
Max. permissible current (all branches)	22.5 A
Number of positions	9
Mounting position	any
Assembly instructions	In rows with zero spacing
Degree of protection	IP20
Standards/regulations	IEC 60664
	DIN EN 50178
	IEC 62103
Rated insulation voltage	125 V
Rated surge voltage	1.2 kV (Functional insulation)
Degree of pollution	2
Overvoltage category	II

Connection data for connection 1

Connection name	Field level
Connection in acc. with standard	IEC / EN
Connection method	Screw connection
Stripping length	8 mm
Screw thread	M3
Conductor cross section solid	0.2 mm ² ... 4 mm ²
Conductor cross section flexible	0.2 mm ² ... 2.5 mm ²
Conductor cross section AWG	24 ... 12

Connection data for connection 2

Connection name	Controller level
Connection method	D-SUB socket strip
Number of positions	9

Standards and Regulations

Connection in acc. with standard	CUL
Standards/regulations	IEC 60664
	DIN EN 50178
	IEC 62103
Degree of pollution	2
Overvoltage category	II

Classifications

eCl@ss

eCl@ss 4.0	27250313
eCl@ss 4.1	27250313

Interface module - DFLK-D 9 SUB/B - 2287135

Classifications

eCl@ss

eCl@ss 5.0	27250313
eCl@ss 5.1	27250313
eCl@ss 6.0	27242608
eCl@ss 7.0	27141152
eCl@ss 8.0	27141152

ETIM

ETIM 2.0	EC001434
ETIM 3.0	EC001604
ETIM 4.0	EC001604
ETIM 5.0	EC002780

UNSPSC

UNSPSC 6.01	30211824
UNSPSC 7.0901	39121421
UNSPSC 11	39121421
UNSPSC 12.01	39121421
UNSPSC 13.2	39121421

Approvals

Approvals

Approvals

UL Recognized / cUL Recognized / EAC / EAC / cULus Recognized

Ex Approvals

Approvals submitted

Approval details

UL Recognized	
mm ² /AWG/kcmil	30-12
Nominal current I _N	2.5 A
Nominal voltage U _N	125 V

Interface module - DFLK-D 9 SUB/B - 2287135

Approvals

cUL Recognized	
mm ² /AWG/kcmil	30-12
Nominal current I _N	2.5 A
Nominal voltage U _N	125 V

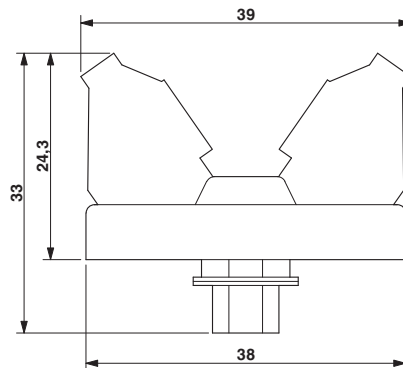
EAC

EAC

cULus Recognized

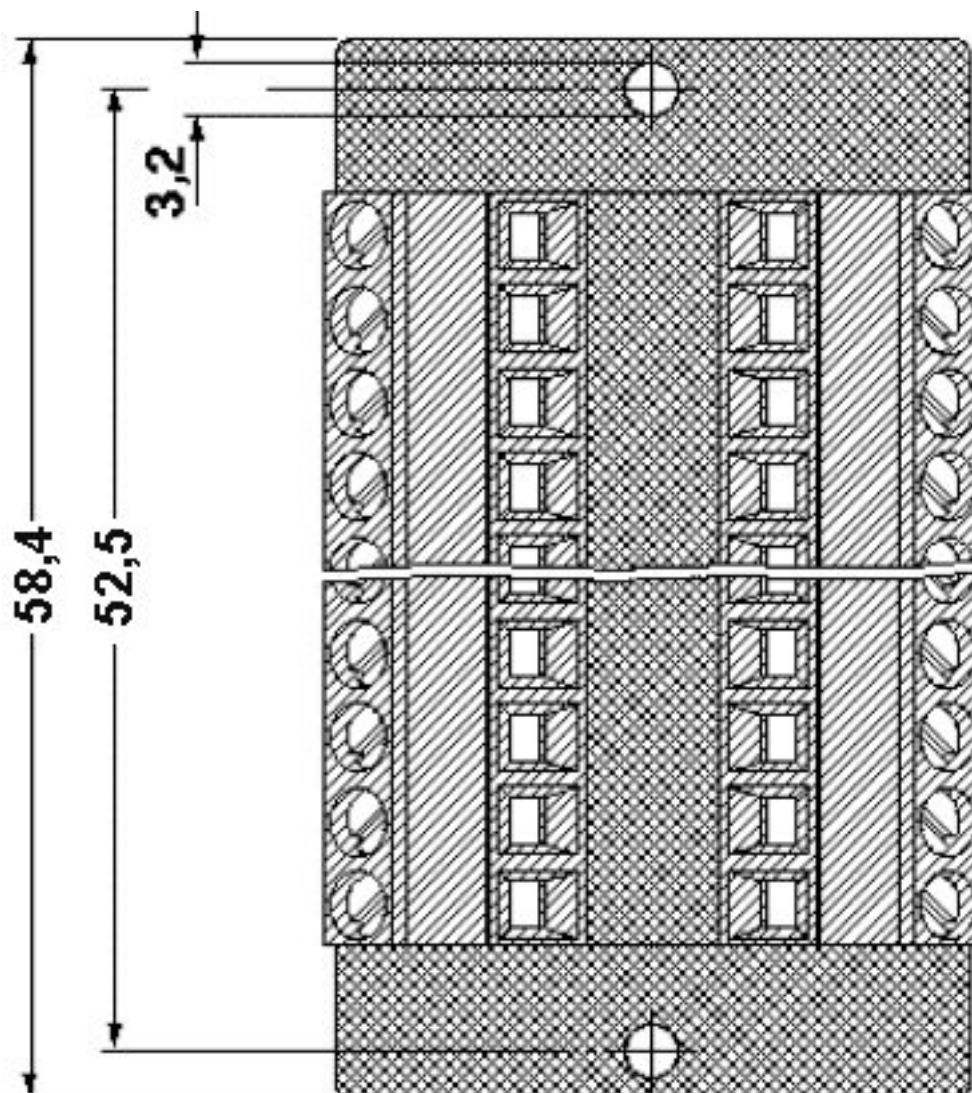
Drawings

Dimensional drawing



Interface module - DFLK-D 9 SUB/B - 2287135

Dimensional drawing



Interface module - DFLK-D 9 SUB/B - 2287135

Dimensional drawing

