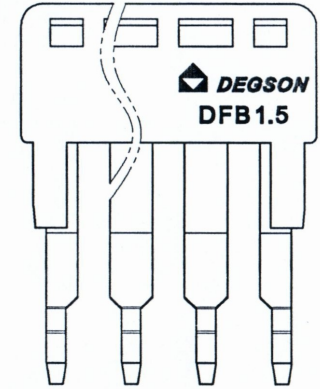
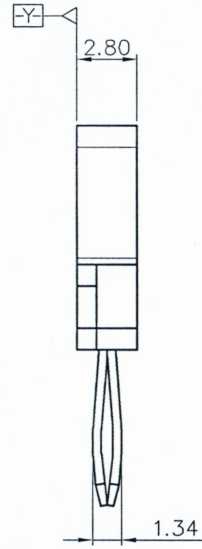
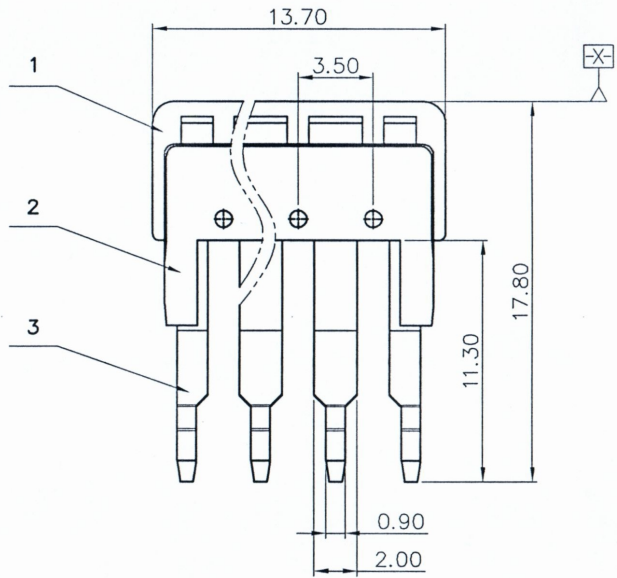


REVISION RECORD				
REV	ECN	DESCRIPTION	DRFT	DATE



NOTES:

- Dimension shall be interpreted per ASME Y14.5-2009
- Pitch : 3.5mm, Poles : N=02~10P
- Operating temperature: -40°C~+105°C
- Undimensioned tolerances:

Pitch range in mm		Nominal dimension range in mm						⊖	∇
Over 6 TO 6	Over 10 TO 10	Over 10 TO 24	Over 30 TO 30	Over 60 TO 60	Over 100 TO 100	Over 150 TO 150	0.1/10	<	
±0.15	±0.20	±0.30	±0.30	±0.50	±0.70	±1.00	±1.30	±2'	

5.RoHS Compliance

仅供参考图  
 签字: 文志  
 日期: 2016.7.11

3	Current carrier	COPPER	Sn plated
2	COVER	PA66	UL94V-0
1	HOUSING	PA66	UL94V-0
ITEM	NAME OF PART	MATERIAL	NOTES

PART NO.: 1		宁波高松电子有限公司 NINGBO DEGSON ELECTRICAL CO., LTD	
APPD: <i>Alvin 07/03/16</i>	NAME: DFB1.5-XXP-1Y-00A(H)		
CHKD: <i>Baron 2016.7.11</i>	TITLE: CUSTOMER DRAWING		
DRFT: Ding 06/03/16"	DRAWING NO.: DFB1.5-C01	REV	D0-1
THIRD ANGLE PROJECTION		SHEET	1/1
MM (INCH)		DO NOT SCALE DRAWING	SCALE 1:1